



Coil initiator connectors

IFE90-1

Right angle version with active locking latch CPA

Features

Mating design:

- Active CPA latch type

Terminal system:

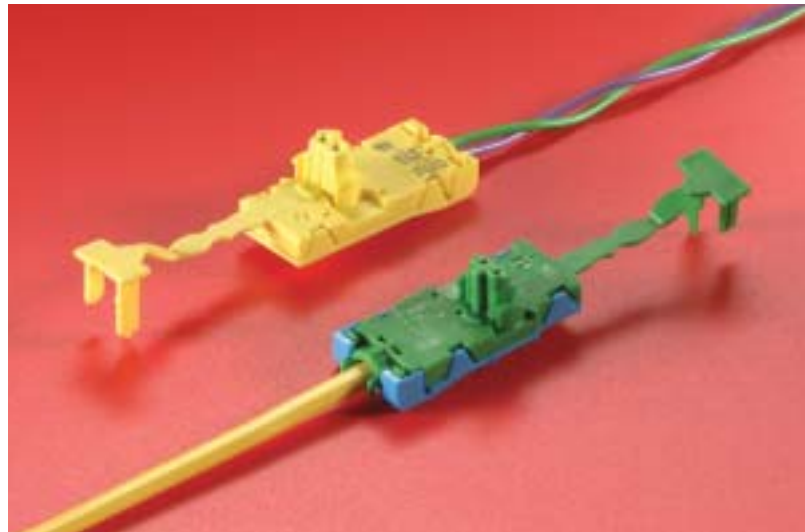
- RCS (Round contact system), one piece terminal, selectively gold plated, 2 contact points

Termination technology:

- Crimp version
- Coil: welded version

Others:

- Supplied with different cable lengths
- Available as kit version
- Application tooling available



Performance characteristics

- Temperature range: from -40°C to +85°C
- Contact resistance: 10 mΩ (including terminal and 75 mm of wire)
- Dielectric test: 750 V / AC
- Pull out force: > 160 N (with CPA mated)

Construction

- Housing material: PBT
- Acceptable wire range: 0.5 mm² for single leads, round and oval jacketed wire
- EMI protection device: Coil

Connector compatibility

- Matable with: Ø 11 mm FCI retainer

Part Numbers	Interface	Type	Code	Cable type	Colour
6 120 33 30	FCI	Active CPA latch	A	Round jacketed	Green
6 120 33 45	FCI	Active CPA latch	B	Round jacketed	Orange
6 120 33 50	FCI	Active CPA latch	C	Round jacketed	Yellow
6 120 34 30	FCI	Active CPA latch	A	Oval jacketed	Green
6 120 34 40	FCI	Active CPA latch	B	Oval jacketed	Orange
6 120 34 50	FCI	Active CPA latch	C	Oval jacketed	Orange
6 120 35 30	FCI	Active CPA latch	A	Single lead	Green
6 120 35 40	FCI	Active CPA latch	B	Single lead	Orange
6 120 35 50	FCI	Active CPA latch	C	Single lead	Yellow

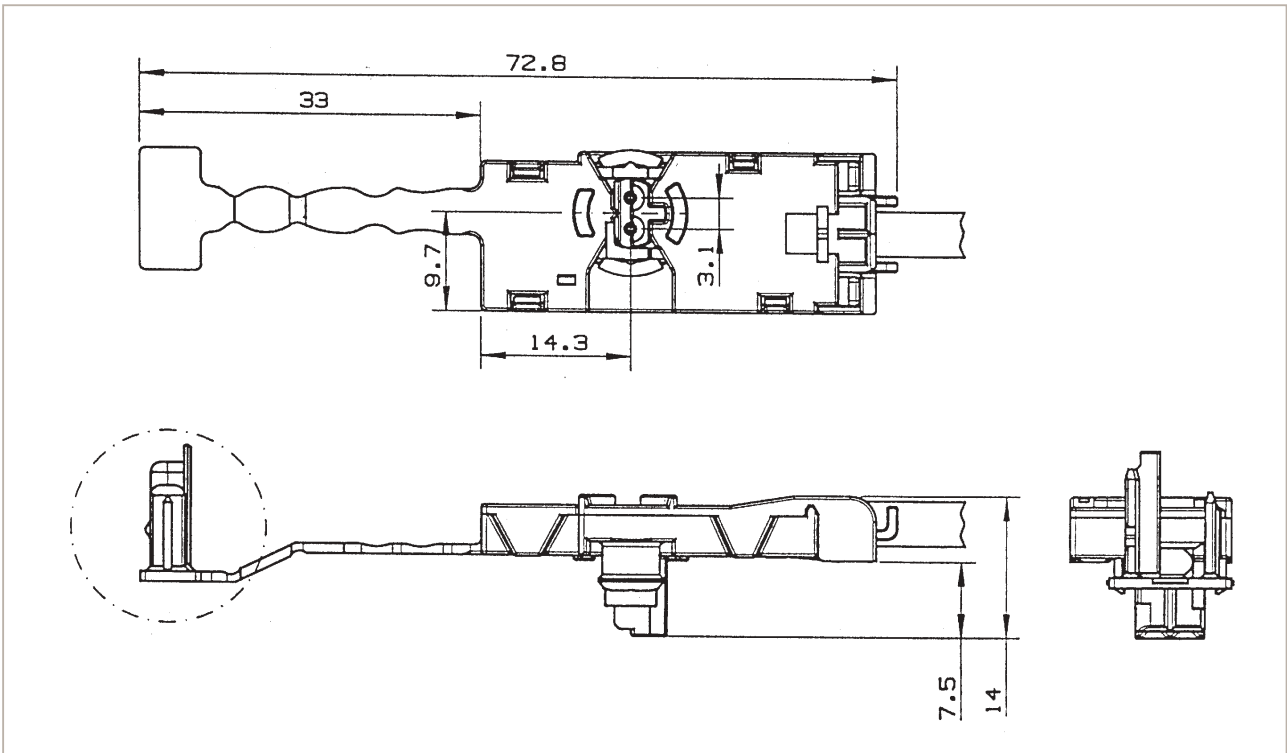


Coil initiator connectors

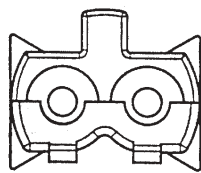
IFE90-1

Right angle version with active locking latch CPA

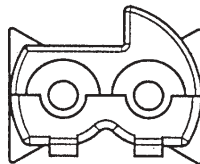
Dimensional characteristics (mm)



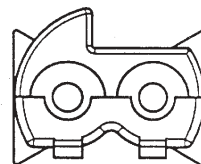
Codings



CODING A



CODING B



CODING C

Notes:
