



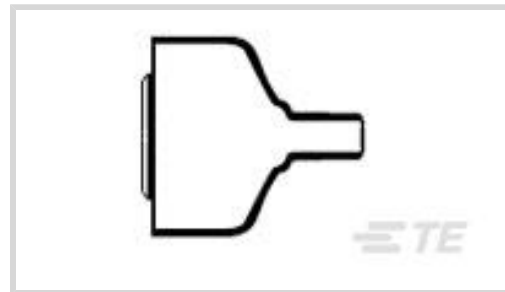
RAYCHEM

TE Internal #: 654928-000

D-Sub Connector Boots, Straight Boot Angle, Adhesive Purchased Separately, 0 Position, 0 in [0 mm] Centerline, -30 – 105 °C [-22 – 221 °F]

[View on TE.com >](#)

Connectors > D-Shaped Connectors > D-Sub Accessories > D-Sub Connector Boots



Boot Angle: **Straight**

Adhesive Pre-Coating: **Without**

Adhesive Description: **Adhesive Purchased Separately**

Number of Positions: **0**

Centerline (Pitch): **0 mm [0 in]**

Features

Product Type Features

Product Type	Molded Boot
Molded Part Type	D Subminiature Boot
Adhesive Description	Adhesive Purchased Separately

Configuration Features

Number of Positions	0
---------------------	---

Body Features

Material Systems Code	100
Material	Semi-flexible ZEROHAL Polyolefin
Material Code	100
Boot Angle	Straight
Adhesive Pre-Coating	Without

Contact Features

Contact Current Rating (Max)	0 A
------------------------------	-----

Housing Features

Centerline (Pitch)	0 mm[0 in]
--------------------	------------

Dimensions

Connector Length	28 mm
Connector Width	10.7 mm[.421 in]



Usage Conditions

Operating Temperature Range	-30 – 105 °C[-22 – 221 °F]
-----------------------------	----------------------------

Other

Adhesive Code	S1006, S1030, S1125
Adhesive Options	S1006 Separate Adhesive, S1030 Separate Adhesive, S1048 Separate Adhesive, S1125 Separate Adhesive

Product Compliance

[For compliance documentation, visit the product page on TE.com>](#)

EU RoHS Directive 2011/65/EU	Compliant
EU ELV Directive 2000/53/EC	Compliant
China RoHS 2 Directive MIIT Order No 32, 2016	No Restricted Materials Above Threshold
EU REACH Regulation (EC) No. 1907/2006	Current ECHA Candidate List: JUNE 2022 (224) Candidate List Declared Against: JUNE 2022 (224) Does not contain REACH SVHC
Halogen Content	Low Halogen - Br, Cl, F, I < 900 ppm per homogenous material. Also BFR/CFR/PVC Free
Solder Process Capability	Not applicable for solder process capability

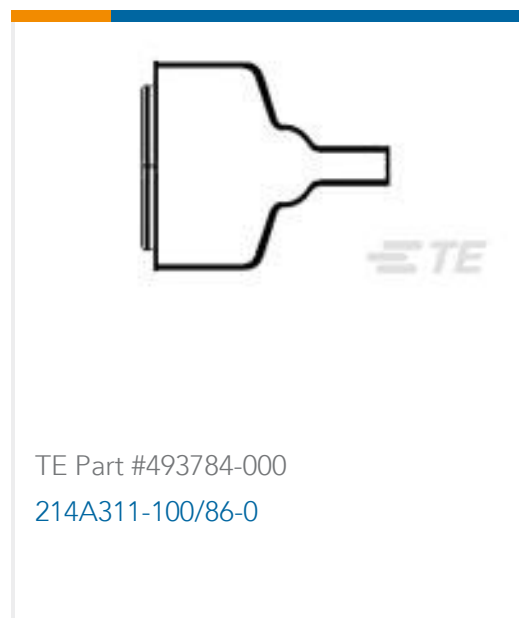
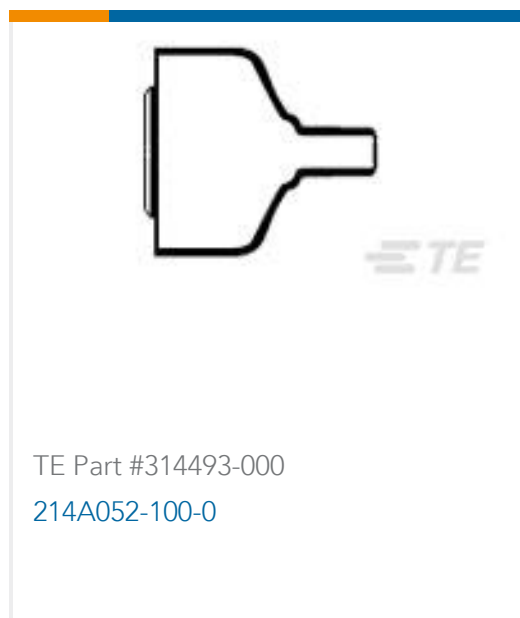
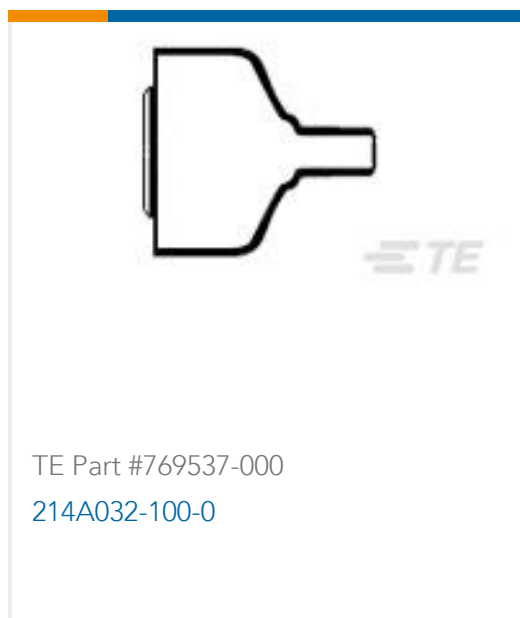
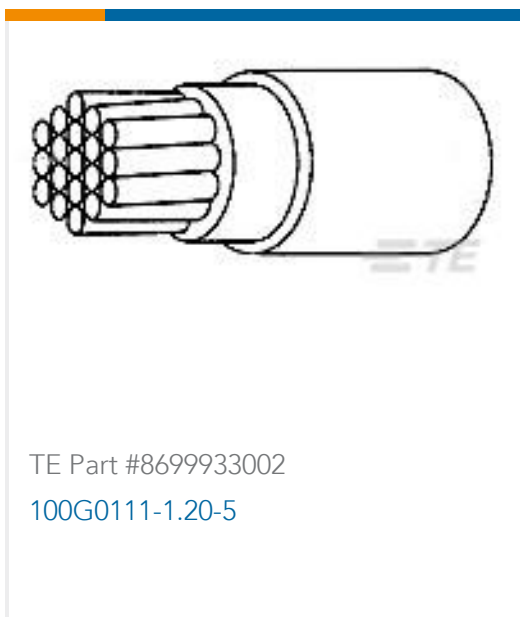
Product Compliance Disclaimer

This information is provided based on reasonable inquiry of our suppliers and represents our current actual knowledge based on the information they provided. This information is subject to change. The part numbers that TE has identified as EU RoHS compliant have a maximum concentration of 0.1% by weight in homogenous materials for lead, hexavalent chromium, mercury, PBB, PBDE, DBP, BBP, DEHP, DIBP, and 0.01% for cadmium, or qualify for an exemption to these limits as defined in the Annexes of Directive 2011/65/EU (RoHS2). Finished electrical and electronic equipment products will be CE marked as required by Directive 2011/65/EU. Components may not be CE marked. Additionally, the part numbers that TE has identified as EU ELV compliant have a maximum concentration of 0.1% by weight in homogenous materials for lead, hexavalent chromium, and mercury, and 0.01% for cadmium, or qualify for an exemption to these limits as defined in the Annexes of Directive 2000/53/EC (ELV). Regarding the REACH Regulation, the information TE provides on SVHC in articles for this part number is based on the latest European Chemicals Agency (ECHA) 'Guidance on requirements for substances in articles' posted at this URL: <https://echa.europa.eu/guidance-documents/guidance-on-reach>

Compatible Parts



Customers Also Bought



Documents

Product Drawings

[214A021-100-0](#)

English

Datasheets & Catalog Pages

[1654025_Sec4_-100](#)

English

Raychem Molded Parts Visual Guide

English

Product Specifications

[Product Specification](#)

English

Product Environmental Compliance

[Safety Datasheet](#)

English

[Safety Datasheet](#)



[Safety Datasheet](#)

[Safety Datasheet](#)

English

[Safety Datasheet](#)

French

[Safety Datasheet](#)

German

[Safety Datasheet](#)

[Safety Datasheet](#)

[Safety Datasheet](#)

[Safety Datasheet](#)

[Safety Datasheet](#)

English