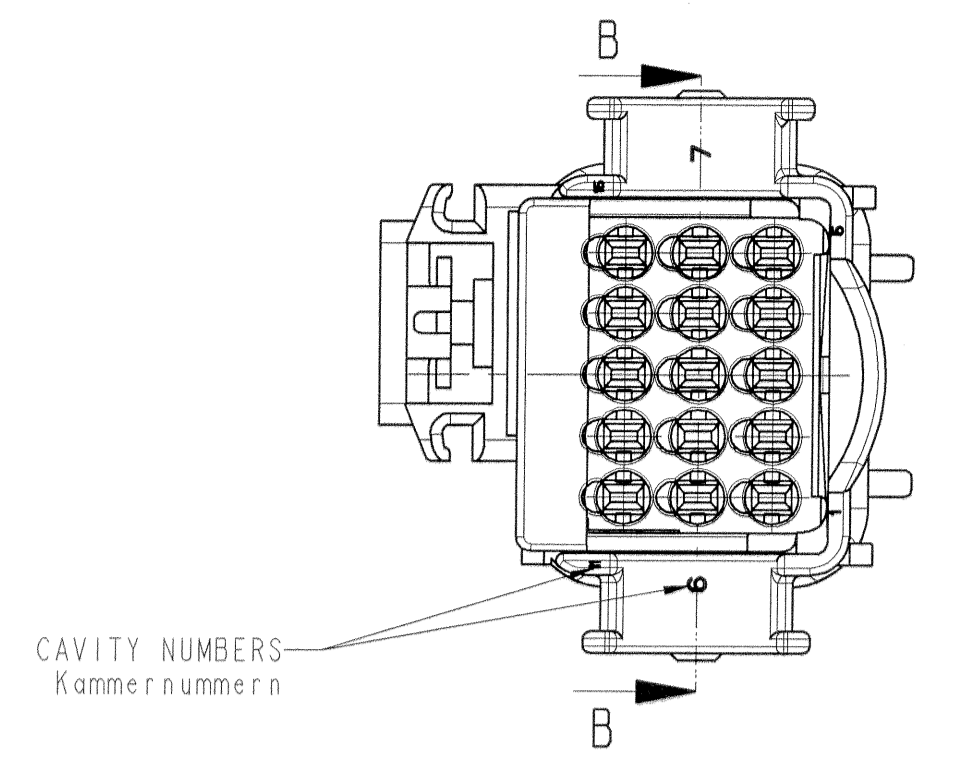
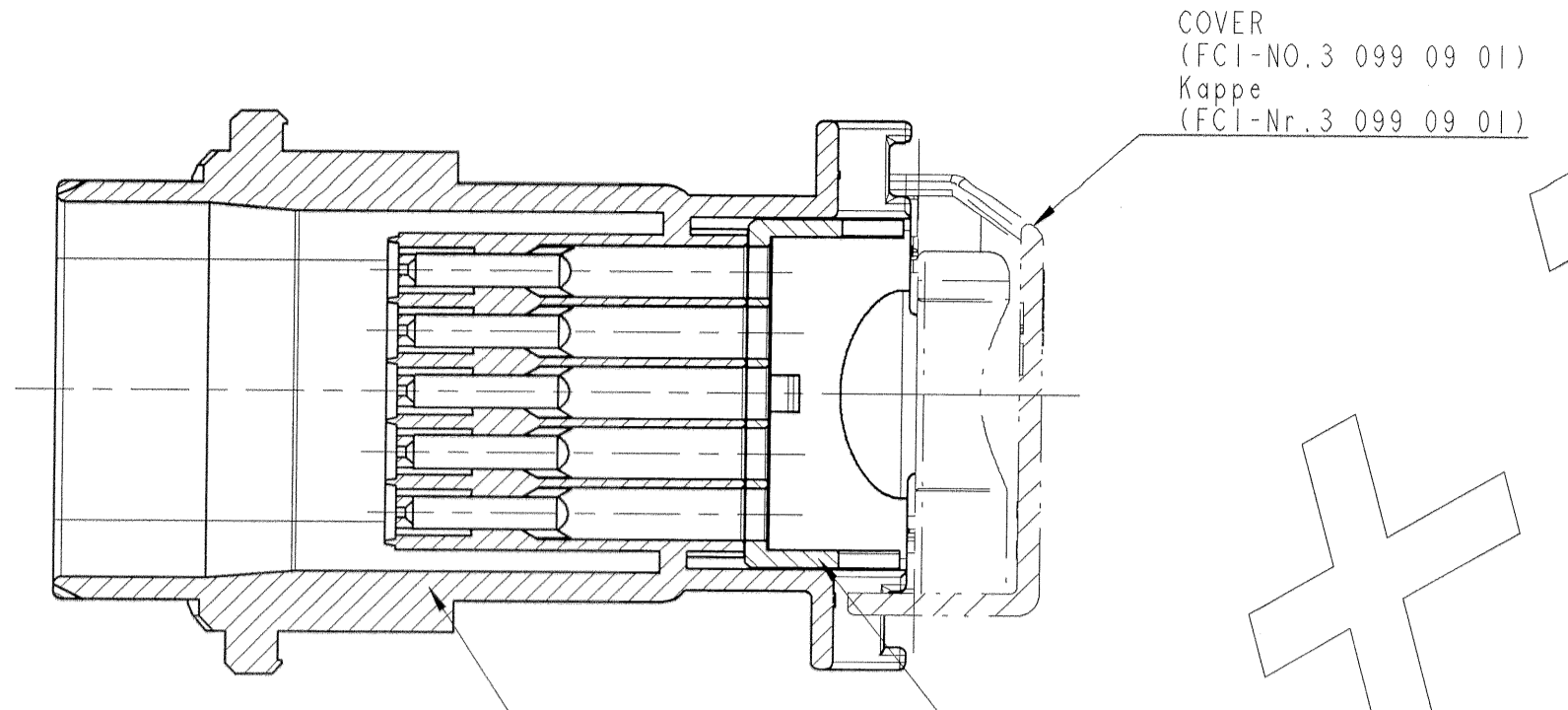


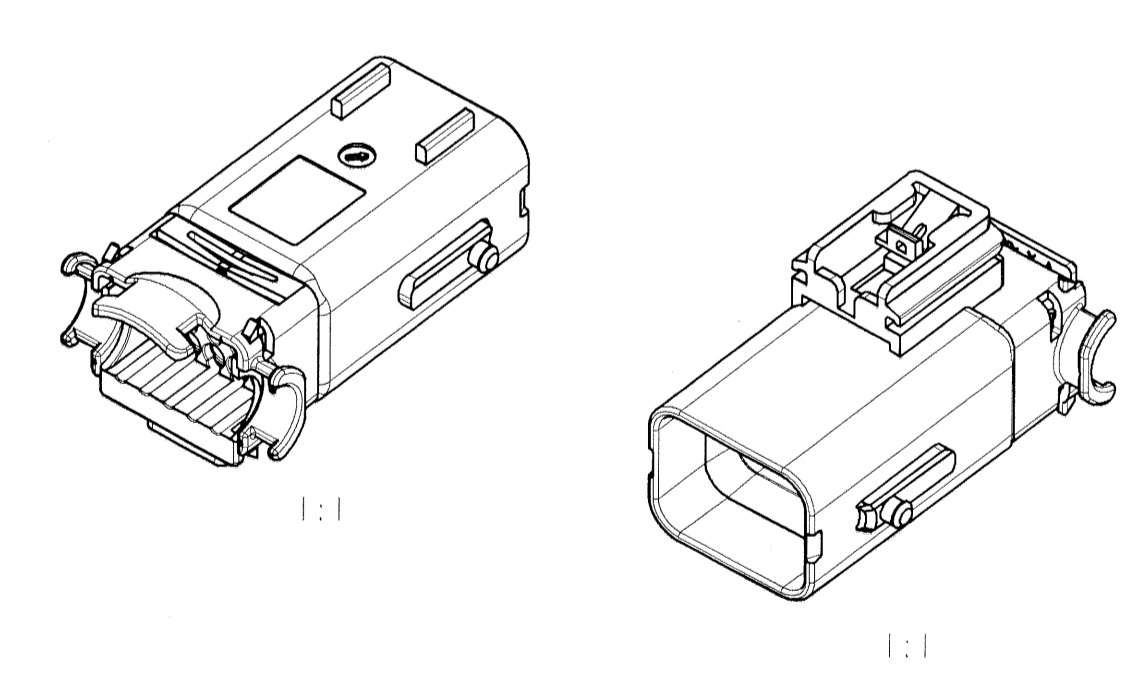
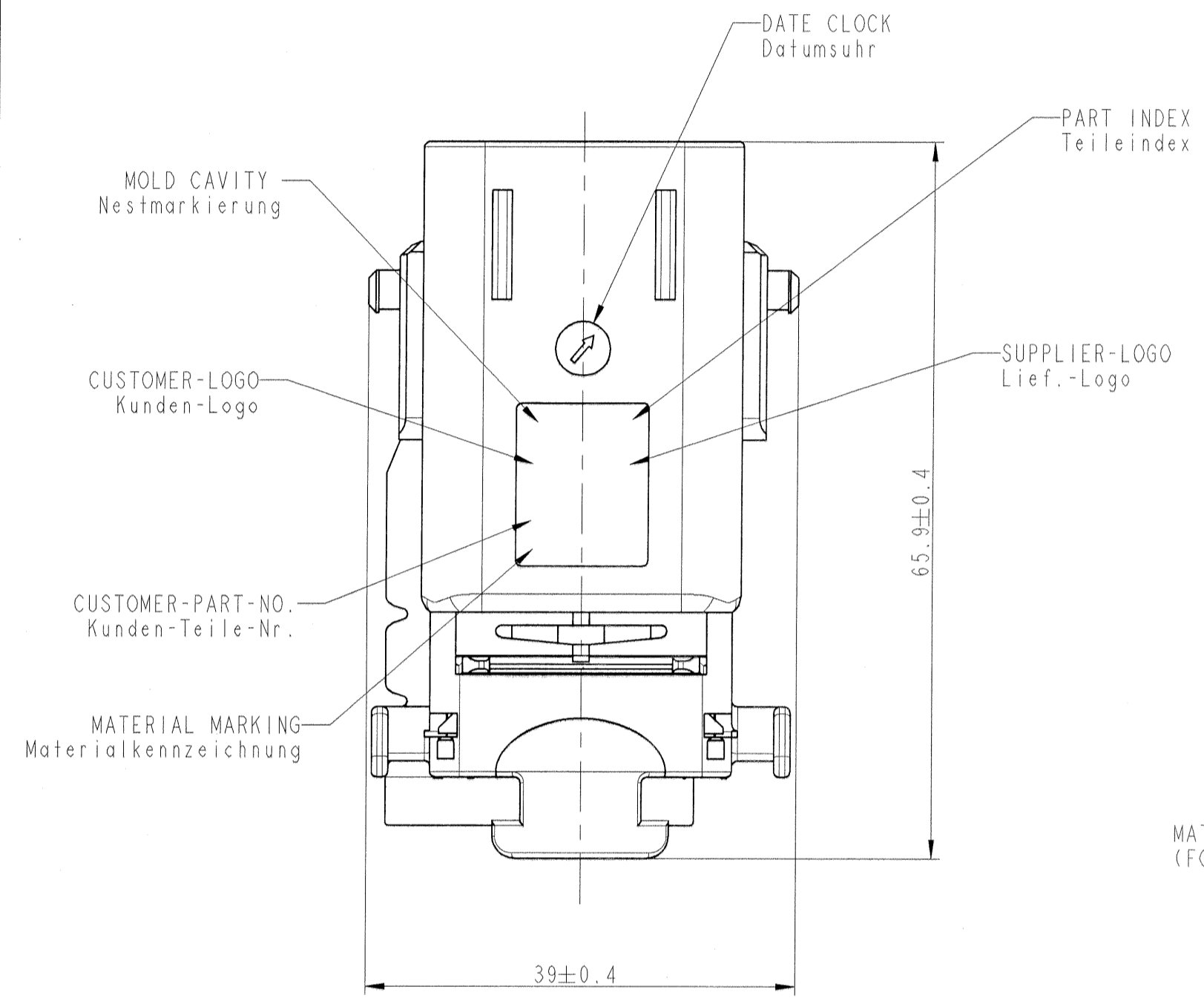
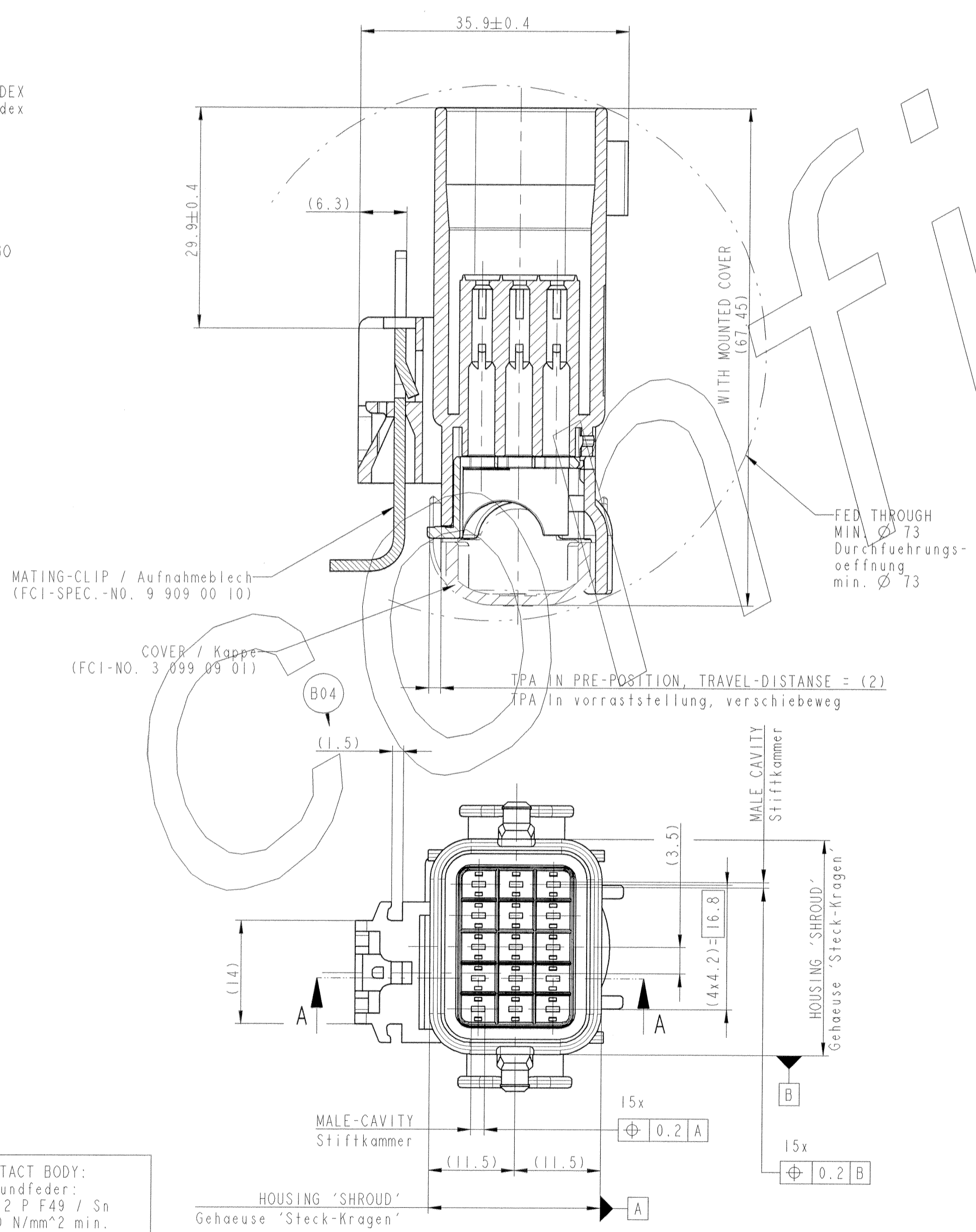
SECTION/SCHNITT B-B

VIEW SHOWN WITH MOUNTED COVER (FCI-NO. 3 099 12 01)
 Ansicht dargestellt mit montierter Kappe (FCI-Nr. 3 099 12 01)



SECTION/SCHNITT A-A

VIEW SHOWN WITH MOUNTED COVER (FCI-NO. 3 099 12 01)
 AND MATING-CLIP (FCI Spec. -NO. 9 909 00 10)
 Ansicht dargestellt mit montierter Kappe (FCI -Nr. 3 099 12 01)
 und Aufnahmeblech (FCI-Spez.-Nr. 9 909 00 10)



DESCRIPTION	WIRE / ISOLATION SIZE Draht- / Isolationsber. (mm ² / Ø)	MATERIAL / COLOUR SURFACE
DCS2 1.5 mm MALE TERM.	FCI-PART-NO. 6 010 07 41	>1.00 - 1.50 mm ²
	FCI-PART-NO. 6 010 07 31	0.50 - 1.00 mm ²
	FCI-PART-NO. 6 010 07 11	0.22 - 0.35 mm ²
SINGLE WIRE SEAL FOR DCS2 1.5mm	FCI-PART-NO. 6 099 39 34	Ø1.9 - Ø2.4
	FCI-PART-NO. 6 099 39 28	Ø1.6 - Ø1.9
	FCI-PART-NO. 6 099 39 13	Ø1.2 - Ø1.6
CONTACT BODY: Grundfeder: Cu Fe 2 P F49 / Sn Rm 490 N/mm ² min. LOCKING SPRING: Ueberfeder: X12 Cr Ni 17 7 / BLANK		
USABLE TERMINALS FOR THIS CONNECTOR Geeignete Kontakte fuer diesen Stecker		

13 132 234	ZMW15-12	3 055 01 01	1	1	15-WAY MALE HOUSING 15-pol. Stiffigeh.	PBT+ASA-GF30	BLACK schwarz	MATING-CLIP FCI-SPEC.-NO. 9 909 00 10	COVER FCI-NO. 3 045 01 01	15-WAY FEMALE HOUSING 3 045 01 01
OPTEL-DRAWING-NO. Kunden-Zeichnungs-Nr.	OPTEL-PART-NO. Kunden-Teile-Nr.	FCI-NO. FCI-Nr.	NO. OF ITEMS Anzahl	ITEM Position	NAME Benennung	MATERIAL Material	COLOUR Farbe	COMPONENT FRAME Gegenstueck		

DATE	REV. / PART	DESCRIPTION	BY	CHK. BY	APP. BY
781/07	23.10.07	B04 geometry never changed dim. (1.5) was (1.7), part rev.A was B	wcl		
091/05	24.03.2005	B03 E11, G13 A14 dim. (1.7) was (1.5), part rev.B was A, in table USABLE TERMINALS isolation size added			
376/04	24.05.04	A02 B12-B15 table "USABLE TERMINALS" changed: wire size 1.0-1.5 for 1.5mm terminal added	R.Schmidt	P.Nuetzel	M.Hopf
215/02	09.04.2002	A01 - (in A12 + A13) OPEL NO. ADDED	Weil	P.Nuetzel	M.Hopf
-	19.03.2002	A00 - PROPOSAL	P.Nuetzel		J.Mue

DATE	REV. / PART	DESCRIPTION	BY	CHK. BY	APP. BY
14.02.04					
24.05.04					
24.05.04					

DATE	REV. / PART	DESCRIPTION	BY	CHK. BY	APP. BY
14.02.04					
24.05.04					
24.05.04					

DATE	REV. / PART	DESCRIPTION	BY	CHK. BY	APP. BY
14.02.04					
24.05.04					
24.05.04					

DATE	REV. / PART	DESCRIPTION	BY	CHK. BY	APP. BY
14.02.04					
24.05.04					
24.05.04					