

5749621-7 ✓ ACTIVE

AMPLIMITE | AMPLIMITE 0.50 Series

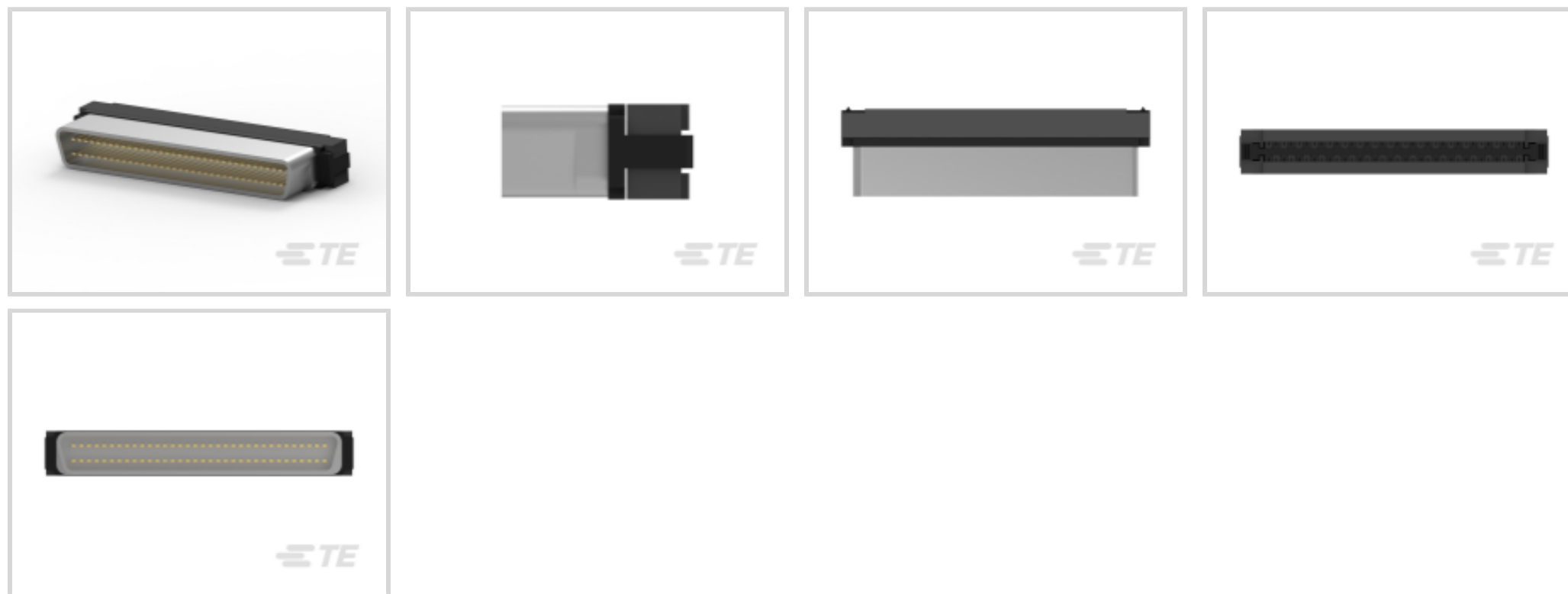
TE Internal #: 5749621-7

IDC D-Sub Connectors, Plug, 30 – 28 AWG Solid Wire Size, .05 – .1 mm² Solid Wire Size, Shielded, AMPLIMITE 0.50 Series

[View on TE.com >](#)



Connectors > D-Shaped Connectors > D-Sub Connectors > IDC D-Sub Connectors > IDC D-Sub: Connector Kit, Plug, Signal, 1.27 mm



Connector & Housing Type: **Plug**

Solid Wire Size: **.05 – .1 mm²**

Shielded: **Yes**

Connector System: **Cable-to-Board, Cable-to-Cable**

[All IDC D-Sub: Connector Kit, Plug, Signal, 1.27 mm \(21\)](#)

Features

Product Type Features

Rails	Without
Connector & Housing Type	Plug
Connector System	Cable-to-Board, Cable-to-Cable
Connector Product Type	Connector Kit
Sealable	No
Connector & Contact Terminates To	Wire & Cable

Configuration Features

Number of Positions	68
Number of Rows	2
Compatible With Wire & Cable Type	Round Jacketed Cable

Body Features

Color	Black
	.025 in
Cover Material	Thermoplastic



Plug Shell Plating Material	Tin-Nickel Alloy
-----------------------------	------------------

Plug Shell Material	Steel
---------------------	-------

Shell Material	Steel
----------------	-------

Shell Plating Material	Tin over Copper
------------------------	-----------------

Contact Features

	30 µin
--	--------

Contact Mating Area Plating Material	Gold, Gold Flash
--------------------------------------	------------------

Contact Underplating Material	Nickel, Palladium Nickel
-------------------------------	--------------------------

PCB Contact Termination Area Plating Material	Tin
---	-----

Contact Base Material	Phosphor Bronze
-----------------------	-----------------

Contact Current Rating (Max)	1 A
------------------------------	-----

Termination Features

Termination Cover Type	Standard
------------------------	----------

Termination Cover Method	Unassembled
--------------------------	-------------

Termination Cover	Without
-------------------	---------

Termination Method to Wire & Cable	Insulation Displacement (IDC)
------------------------------------	-------------------------------

Mechanical Attachment

Mating Connector Lock	Without
-----------------------	---------

Mounting Angle	None
----------------	------

Mating Connector Lock Type	Latch Blocks
----------------------------	--------------

Panel Mount Feature	Without
---------------------	---------

PCB Mount Retention Type	None
--------------------------	------

Detent	With
--------	------

Connector Mounting Type	Cable Mount (Free-Hanging)
-------------------------	----------------------------

Housing Features

Housing Material	Thermoplastic
------------------	---------------

Housing Color	Black
---------------	-------

Centerline (Pitch)	1.27 mm [.05 in]
--------------------	------------------

Dimensions

Insulation Diameter (Max)	.91 mm
---------------------------	--------

Accepts Wire Insulation Diameter Range	.74 – .91 mm [.029 – .036 in]
--	-------------------------------

Solid Wire Size	.05 – .1 mm ²
-----------------	--------------------------



Wire Size	.05 – .09 mm ²
-----------	---------------------------

Usage Conditions

Operating Temperature Range	-55 – 105 °C[-67 – 221 °F]
-----------------------------	----------------------------

Operation/Application

Shielded	Yes
Circuit Application	Signal

Industry Standards

UL Flammability Rating	UL 94V-0
Cover Flammability Rating	UL 94V-0

Packaging Features

Packaging Method	Package
Packaging Quantity	10

Other

Comment	Plug connector requires backshell kit for complete assembly
---------	---

Product Compliance

[For compliance documentation, visit the product page on TE.com>](#)

EU RoHS Directive 2011/65/EU	Compliant
EU ELV Directive 2000/53/EC	Compliant
China RoHS 2 Directive MIIT Order No 32, 2016	No Restricted Materials Above Threshold
EU REACH Regulation (EC) No. 1907/2006	Current ECHA Candidate List: JUNE 2022 (224) Candidate List Declared Against: JAN 2022 (223) SVHC > Threshold: Not Yet Reviewed
Halogen Content	Not Low Halogen - contains Br or Cl > 900 ppm.
Solder Process Capability	Not applicable for solder process capability

Product Compliance Disclaimer

This information is provided based on reasonable inquiry of our suppliers and represents our current actual knowledge based on the information they provided. This information is subject to change. The part numbers that TE has identified as EU RoHS compliant have a maximum concentration of 0.1% by weight in homogenous materials for lead, hexavalent chromium, mercury, PBB, PBDE, DBP, BBP, DEHP, DIBP, and 0.01% for cadmium, or qualify for an exemption to these limits as defined in the Annexes of Directive 2011/65/EU (RoHS2). Finished electrical and electronic equipment products will be CE marked as required by Directive 2011/65/EU. Components may not be CE marked. Additionally, the part

numbers that TE has identified as EU ELV compliant have a maximum concentration of 0.1% by weight in homogenous materials for lead, hexavalent chromium, and mercury, and 0.01% for cadmium, or qualify for an exemption to these limits as defined in the Annexes of Directive 2000/53/EC (ELV). Regarding the REACH Regulation, the information TE provides on SVHC in articles for this part number is based on the latest European Chemicals Agency (ECHA) 'Guidance on requirements for substances in articles' posted at this URL: <https://echa.europa.eu/guidance-documents/guidance-on-reach>

Compatible Parts



TE Part # CAT-020-ADRV127
AMPLIMITE D-Sub Receptacle Assembly: Vertical, 1.27mm



TE Part # CAT-020-DRAVAP127
D-Sub Receptacle Assembly: Vertical, Action Pin, 1.27mm



TE Part # CAT-018-DRARA127
D-Sub Receptacle Assembly: Right Angle, 1.27mm



TE Part # CAT-AM7-436507
IDC D-Sub: Receptacle Assembly, Panel Mount, Signal, 1.27 mm



TE Part # 5749195-2
68 50SR KIT,ST,UK



TE Part # 5786152-3
68 50SR BKSHL KIT W/JS,UNPNTD,



TE Part # 853240-1
STD PLUG & RECPT HOLDER ASSY

Also in the Series | AMPLIMITE 0.50 Series



D-Sub Backshells & Clamps(31)



D-Sub Covers(20)



D-Sub Locking & Mounting(8)



IDC D-Sub Connectors(77)

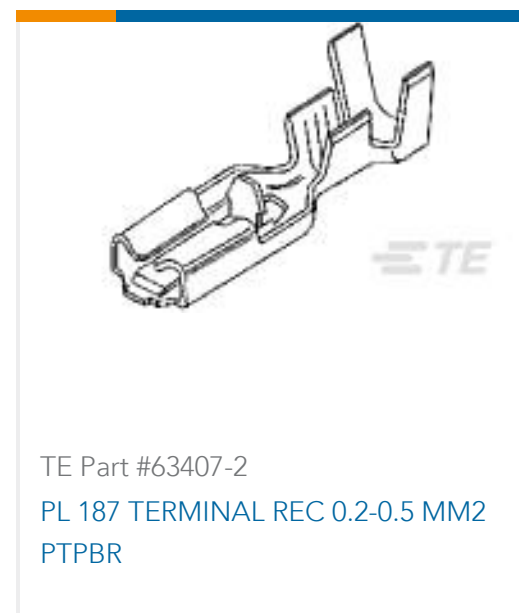


Insertion & Extraction Tools(1)



PCB D-Sub Connectors(191)

Customers Also Bought



Documents

Product Drawings

68 50S CABLE PLUG CONN/COV KIT

English

CAD Files

3D PDF

3D

Customer View Model

[ENG_CVM_CVM_5749621-7_A.2d_dxf.zip](#)

English

Customer View Model

[ENG_CVM_CVM_5749621-7_A.3d_igs.zip](#)

English

Customer View Model

[ENG_CVM_CVM_5749621-7_A.3d_stp.zip](#)

English

By downloading the CAD file I accept and agree to the [Terms and Conditions](#) of use.

Datasheets & Catalog Pages



[AMPLIMITE Subminiature D Connectors - .050 Series Connector](#)

English

[AMPLIMITE .050 Series D-sub Connectors QRG](#)

English

[Product Specifications](#)

[Application Specification](#)

English

[Product Environmental Compliance](#)

[MD_5749621-7_06222015735_dmtec](#)

English

[MD_5749621-7_06222015735_dmtec](#)

English

[Instruction Sheets](#)

[Customer Manual \(U.S.\)](#)

English

[Agency Approvals](#)

[UL](#)

English