

643182-1 ✓ ACTIVE

MATE-N-LOK | Universal MATE-N-LOK

TE Internal #: 643182-1

Rectangular Connector Adapters, Cap Housing Adapter, UL / CSA / VDE, 600 VAC, UL 94V-2, Universal MATE-N-LOK

[View on TE.com >](#)



Connectors > Rectangular Connectors > Rectangular Connector Accessories > Rectangular Connector Adapters



Rectangular Connector Adapter Type: **Cap Housing Adapter**

Agency/Standard: **CSA, UL, VDE**

Operating Voltage: **600 VAC**

UL Flammability Rating: **UL 94V-2**

Features

Product Type Features

Rectangular Connector Adapter Type	Cap Housing Adapter
------------------------------------	---------------------

Electrical Characteristics

Operating Voltage	600 VAC
-------------------	---------

Body Features

Color	Natural
-------	---------

Material	Nylon
----------	-------

Housing Features

Housing Material	Glass-Filled Nylon
------------------	--------------------

Industry Standards

Agency/Standard	CSA, UL, VDE
-----------------	--------------

UL Flammability Rating	UL 94V-2
------------------------	----------

Packaging Features

Packaging Quantity	1
--------------------	---

Packaging Method	Package
------------------	---------

Other

Comment

For 2 in-line and 6 matrix position cap housings only.

Product Compliance

[For compliance documentation, visit the product page on TE.com>](#)

EU RoHS Directive 2011/65/EU

Compliant

EU ELV Directive 2000/53/EC

Compliant

China RoHS 2 Directive MIIT Order No 32, 2016

No Restricted Materials Above Threshold

EU REACH Regulation (EC) No. 1907/2006

Current ECHA Candidate List: JUNE 2022
(224)
Candidate List Declared Against: JAN 2022
(223)
SVHC > Threshold:
Not Yet Reviewed

Halogen Content

Low Halogen - Br, Cl, F, I < 900 ppm per
homogenous material. Also BFR/CFR/PVC
Free

Solder Process Capability

Not applicable for solder process capability

Product Compliance Disclaimer

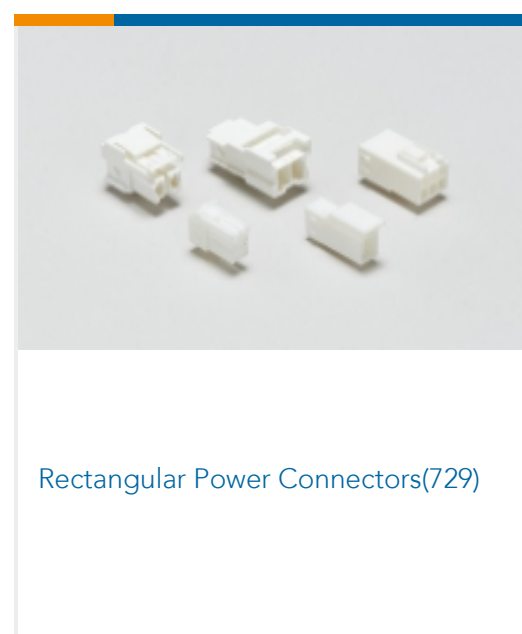
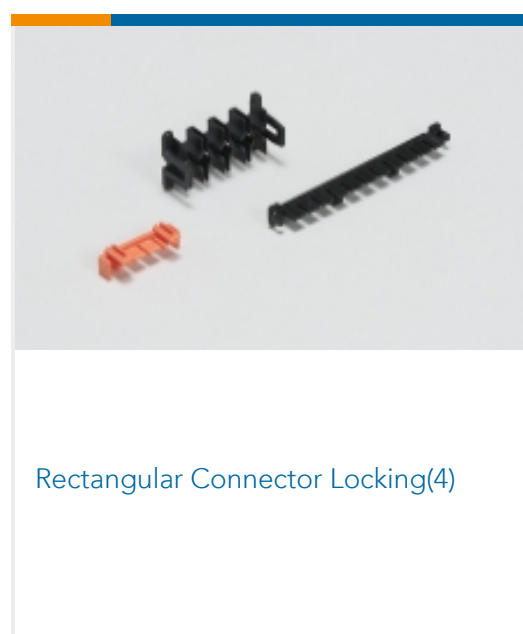
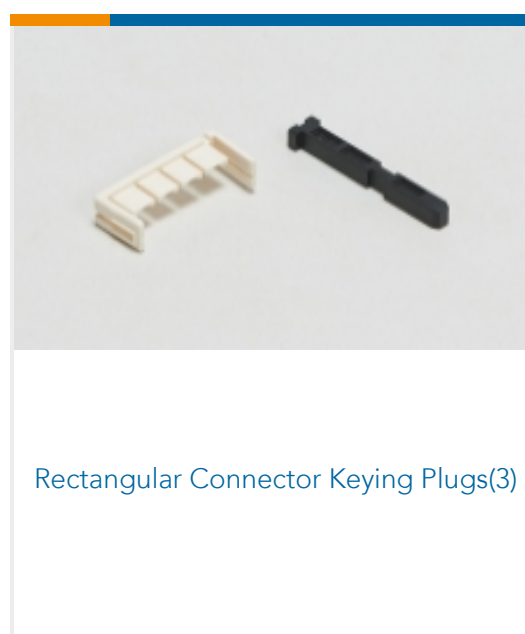
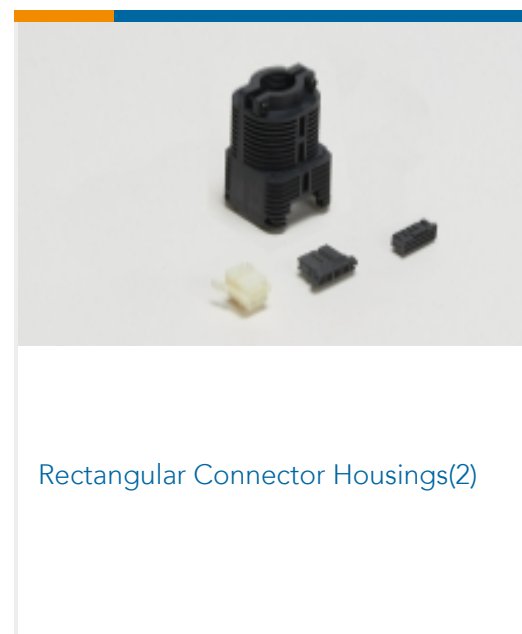
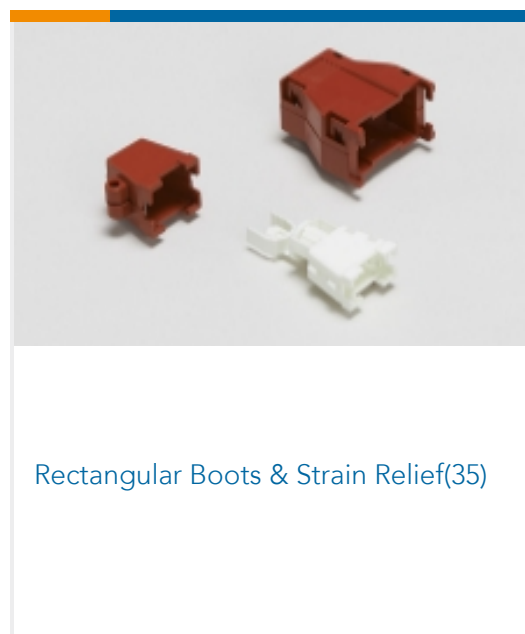
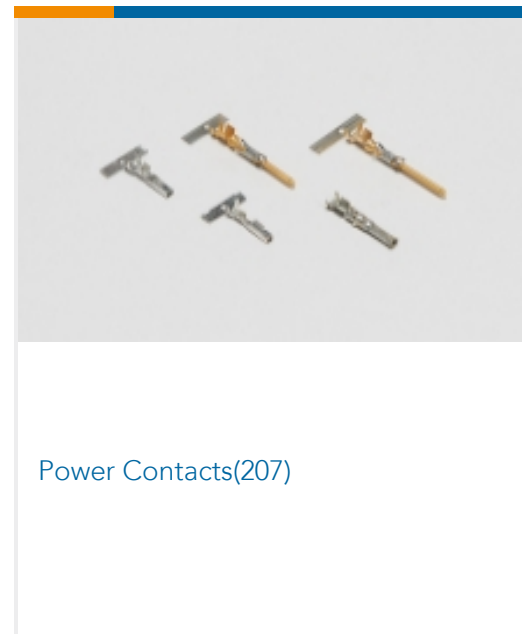
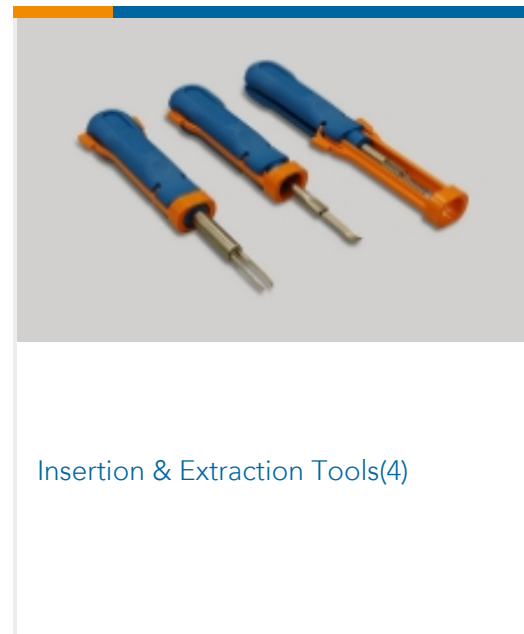
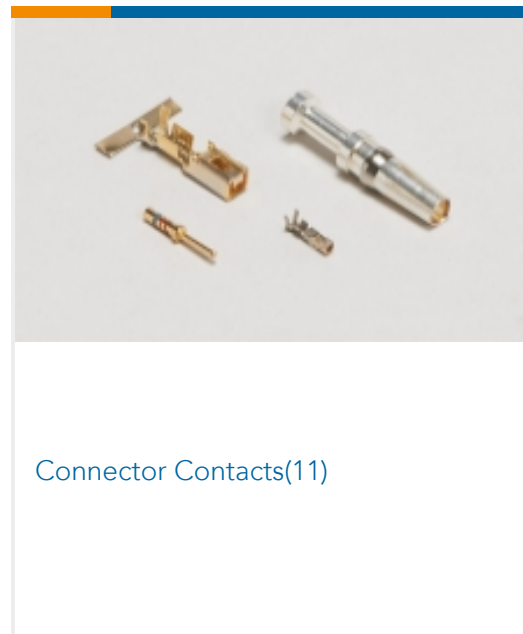
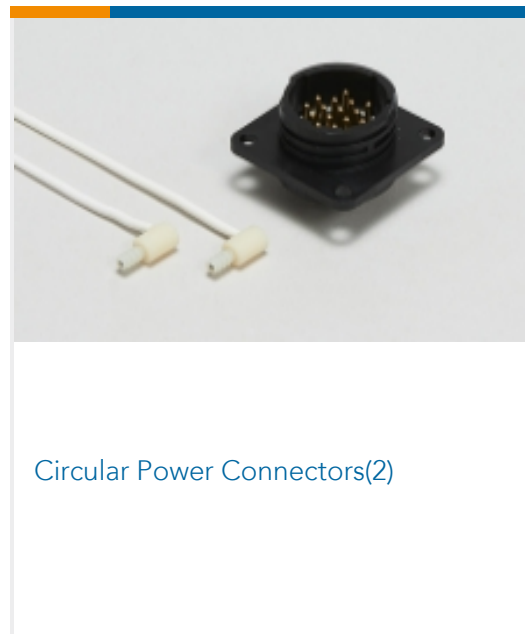
This information is provided based on reasonable inquiry of our suppliers and represents our current actual knowledge based on the information they provided. This information is subject to change. The part numbers that TE has identified as EU RoHS compliant have a maximum concentration of 0.1% by weight in homogenous materials for lead, hexavalent chromium, mercury, PBB, PBDE, DBP, BBP, DEHP, DIBP, and 0.01% for cadmium, or qualify for an exemption to these limits as defined in the Annexes of Directive 2011/65/EU (RoHS2). Finished electrical and electronic equipment products will be CE marked as required by Directive 2011/65/EU. Components may not be CE marked. Additionally, the part numbers that TE has identified as EU ELV compliant have a maximum concentration of 0.1% by weight in homogenous materials for lead, hexavalent chromium, and mercury, and 0.01% for cadmium, or qualify for an exemption to these limits as defined in the Annexes of Directive 2000/53/EC (ELV). Regarding the REACH Regulation, the information TE provides on SVHC in articles for this part number is based on the latest European Chemicals Agency (ECHA) 'Guidance on requirements for substances in articles' posted at this URL: <https://echa.europa.eu/guidance-documents/guidance-on-reach>

Compatible Parts

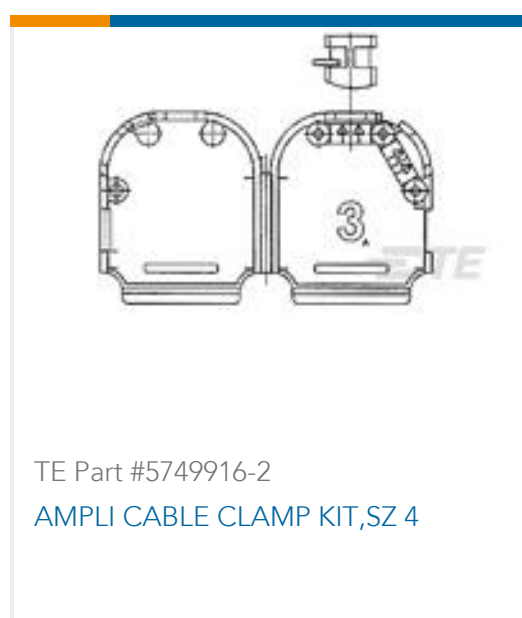
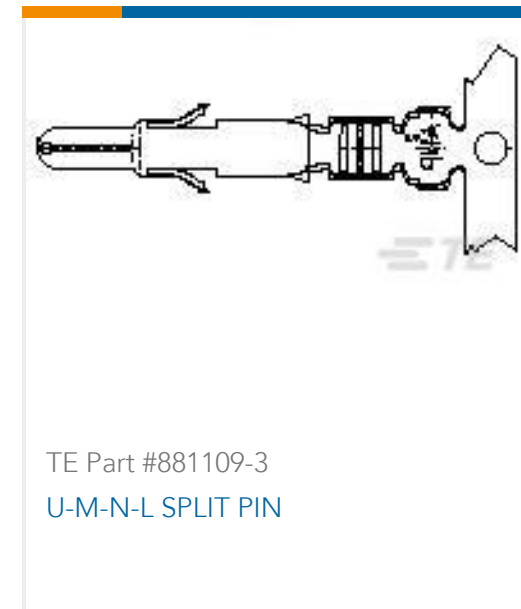
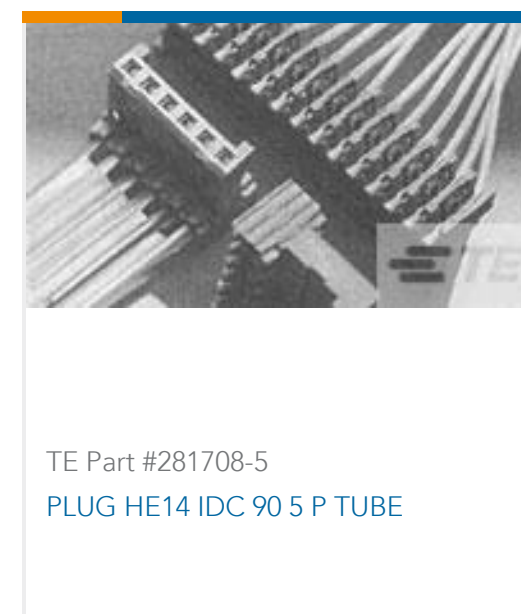




Also in the Series | **Universal MATE-N-LOK**



Customers Also Bought



Documents

Product Drawings

UMNL STR/REL ADAPTER CAP NATL

English

CAD Files

3D PDF

3D

Customer View Model

[ENG_CVM_CVM_643182-1_R.2d_dxf.zip](#)

English

Customer View Model

[ENG_CVM_CVM_643182-1_R.3d_igs.zip](#)

English

Customer View Model

[ENG_CVM_CVM_643182-1_R.3d_stp.zip](#)

English

3D PDF

English



Customer View Model

[ENG_CVM_643182-1_C.2d_dxf.zip](#)

English

Customer View Model

[ENG_CVM_643182-1_C.3d_igs.zip](#)

English

Customer View Model

[ENG_CVM_643182-1_C.3d_stp.zip](#)

English

By downloading the CAD file I accept and agree to the [Terms and Conditions](#) of use.

Datasheets & Catalog Pages

[SOFT_SHELL_PIN_SOCKET_CONNECTORS_STANDARD_DENSITY](#)

English

Product Environmental Compliance

[Product Compliance](#)

English

[Product Compliance](#)

English

Instruction Sheets

[Instruction Sheet \(U.S.\)](#)

English