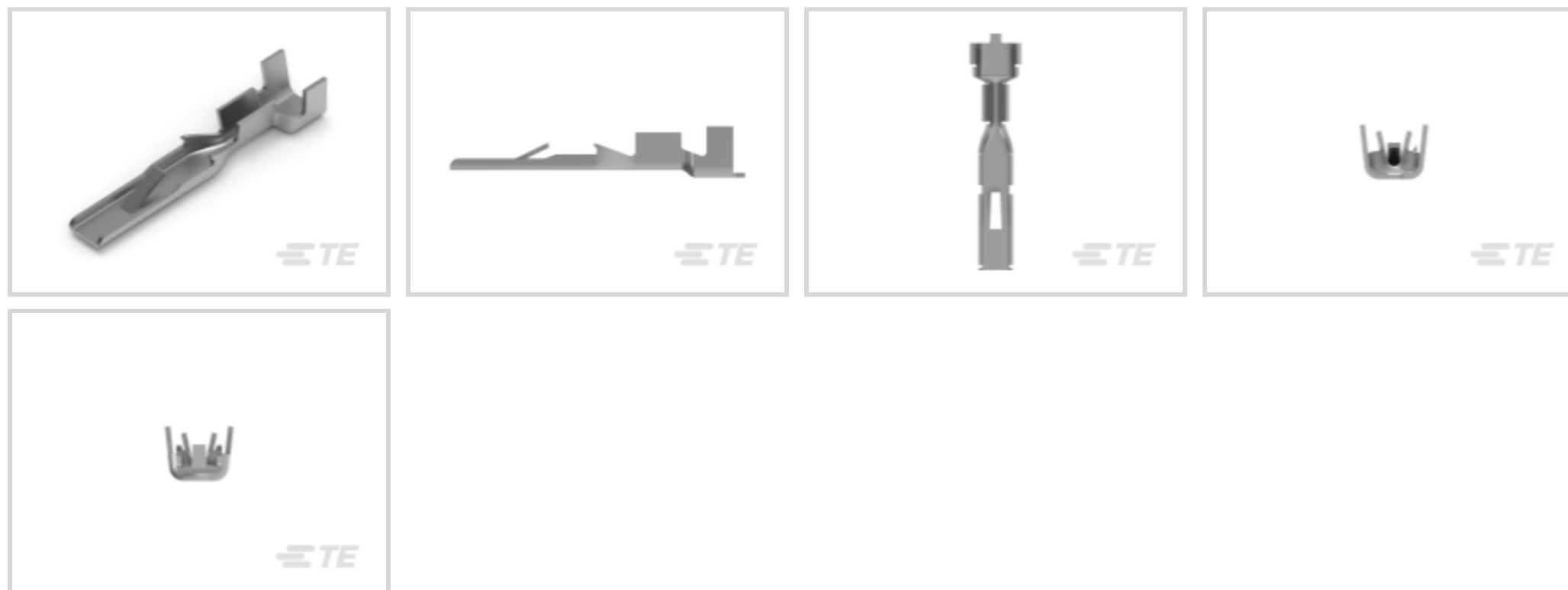




Terminals & Splices > Quick Disconnects

Quick Disconnect Terminal Type: **Tab**Wire Size: **.51 – 1.31 mm²**Mating Tab Width: **4.75 mm [.187 in]**Mating Tab Thickness: **.41 mm [.016 in]**

Features

Product Type Features

Terminates To	Wire & Cable
Wire/Cable Type	Regular Wire
Insertion Force	Normal
Sealable	No

Configuration Features

Connection Capacity	Single
---------------------	--------

Contact Features

Quick Disconnect Terminal Type	Tab
Mating Tab Width	4.75 mm [.187 in]
Mating Tab Thickness	.41 mm [.016 in]
Terminal Orientation	Straight
Contact Base Material	Brass
Terminal Plating Material	Pre-Tin
Crimp Type	F-Crimp
Barrel Type	Open



Mechanical Attachment

	.09 in
Mating Retention Type	Locking Lance
Wire Insulation Support	With

Dimensions

Accepts Wire Insulation Diameter Range	2.31 – 3.3 mm [.091 – .129 in]
Overall Length	24.26 mm
Receptacle Terminal Stock Thickness	.41 mm [.016 in]
Wire Size	.51 – 1.31 mm ²

Usage Conditions

Insulation Option	Uninsulated
Operating Temperature Range	-40 – 110 °C [-40 – 230 °F]

Industry Standards

UL Rating	Recognized
CSA Certified	Yes

Packaging Features

Packaging Quantity	12500
Packaging Method	Strip/Reel

Product Compliance

[For compliance documentation, visit the product page on TE.com>](#)

EU RoHS Directive 2011/65/EU	Compliant
EU ELV Directive 2000/53/EC	Compliant
China RoHS 2 Directive MIIT Order No 32, 2016	No Restricted Materials Above Threshold
EU REACH Regulation (EC) No. 1907/2006	Current ECHA Candidate List: JUNE 2022 (224) Candidate List Declared Against: JAN 2022 (223) SVHC > Threshold: Not Yet Reviewed
Halogen Content	Low Halogen - Br, Cl, F, I < 900 ppm per homogenous material. Also BFR/CFR/PVC Free
Solder Process Capability	Not applicable for solder process capability

Product Compliance Disclaimer

This information is provided based on reasonable inquiry of our suppliers and represents our current actual knowledge based on the information they provided. This information is subject to change. The part numbers that TE has identified as EU RoHS compliant have a maximum concentration of 0.1% by weight in homogenous materials for lead, hexavalent chromium, mercury, PBB, PBDE, DBP, BBP, DEHP, DIBP, and 0.01% for cadmium, or qualify for an exemption to these limits as defined in the Annexes of Directive 2011/65/EU (RoHS2). Finished electrical and electronic equipment products will be CE marked as required by Directive 2011/65/EU. Components may not be CE marked. Additionally, the part numbers that TE has identified as EU ELV compliant have a maximum concentration of 0.1% by weight in homogenous materials for lead, hexavalent chromium, and mercury, and 0.01% for cadmium, or qualify for an exemption to these limits as defined in the Annexes of Directive 2000/53/EC (ELV). Regarding the REACH Regulation, the information TE provides on SVHC in articles for this part number is based on the latest European Chemicals Agency (ECHA) 'Guidance on requirements for substances in articles' posted at this URL: <https://echa.europa.eu/guidance-documents/guidance-on-reach>

Compatible Parts



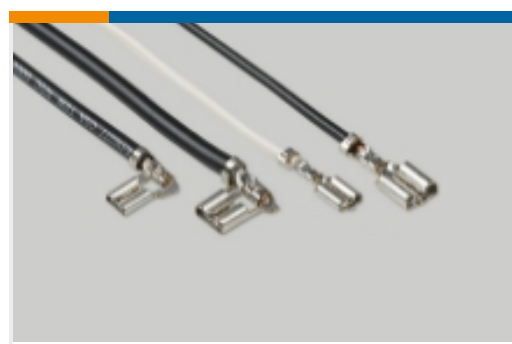
Also in the Series | **FASTIN-FASTON 187**



Crimp Terminal Housings(8)

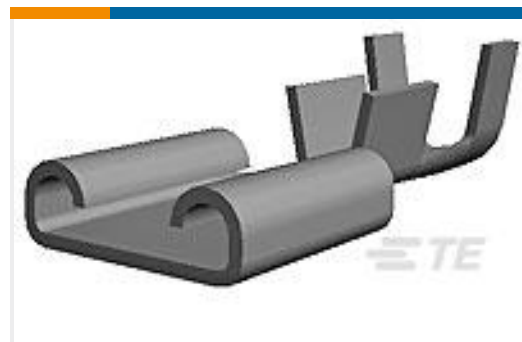
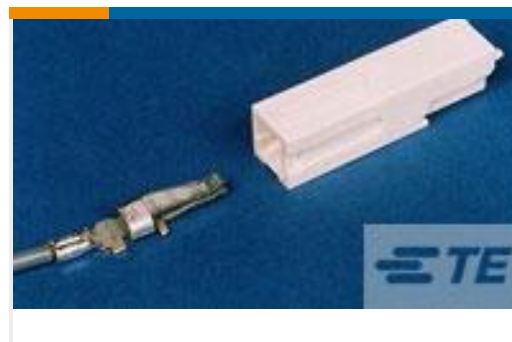
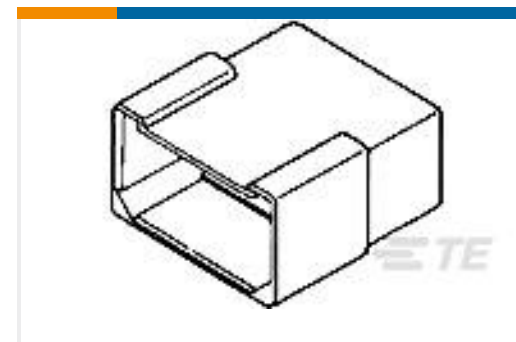
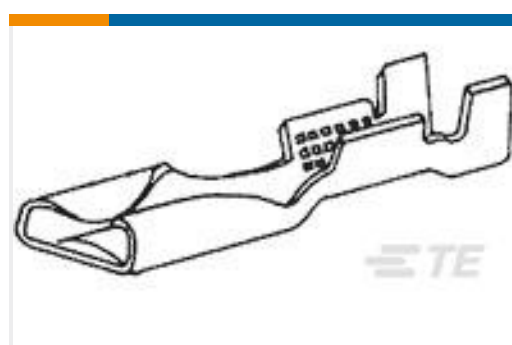
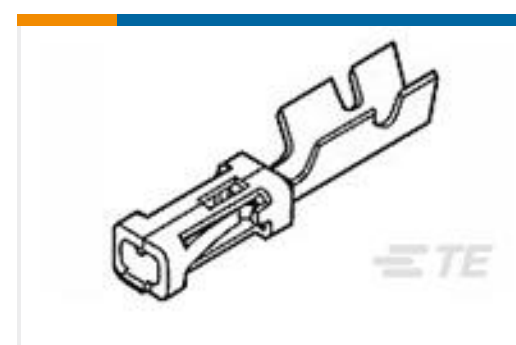
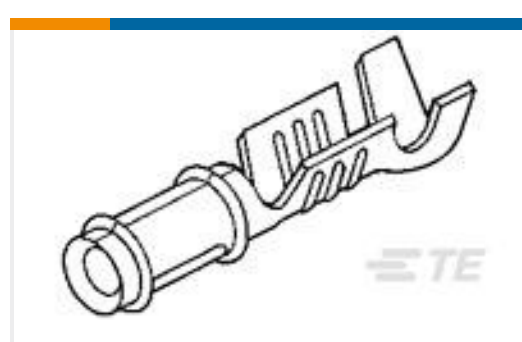


Insertion & Extraction Tools(1)



Quick Disconnects(22)

Customers Also Bought

TE Part #1-160301-6
250 FASTON,REC.,10-12 AWG,TPBRTE Part #42490-3
187 FASTON TAB 22-18 AWG TPBRTE Part #556137-2
HSG,AMPINNERGY WTW,1 POS,
BLACKTE Part #180906-5
FF 250 TAB HSG 6P NYLON BLACKTE Part #151679
2 WAY M-N-L PIN HSG.NAT.TE Part #1879980-1
MINI SUPERSEAL CONNECTORTE Part #60435-1
FF 187 REC 20-16AWG PTBRTE Part #166309-2
MOD-5 REC.CONTACTTE Part #61291-1
RECPT .093 DIA 22-18 PTPPHBRZTE Part #172509-1
MIC CAP HSG 17P MK II

Documents

Product Drawings

[FF 187 TAB 20-16AWG TPBR](#)

English

CAD Files

[3D PDF](#)

3D

[Customer View Model](#)

[ENG_CVM_CVM_60434-1_AH.2d_dxf.zip](#)



English

Customer View Model

[ENG_CVM_CVM_60434-1_AH.3d_igs.zip](#)

English

Customer View Model

[ENG_CVM_CVM_60434-1_AH.3d_stp.zip](#)

English

By downloading the CAD file I accept and agree to the [Terms and Conditions](#) of use.

Datasheets & Catalog Pages

[FASTIN_FASTON_Product_Line](#)

English

Product Specifications

[Application Specification](#)

English

[Tab And Receptacle Contacts Series 187](#)

English

[Application Specification](#)

Japanese

[Application Specification](#)

Japanese

[Tab & Receptacle Contacts Series 187](#)

Japanese

[Tab & Receptacle Contacts Series 187](#)

English

[Application Specification](#)

English