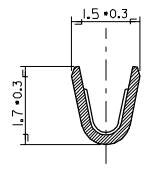
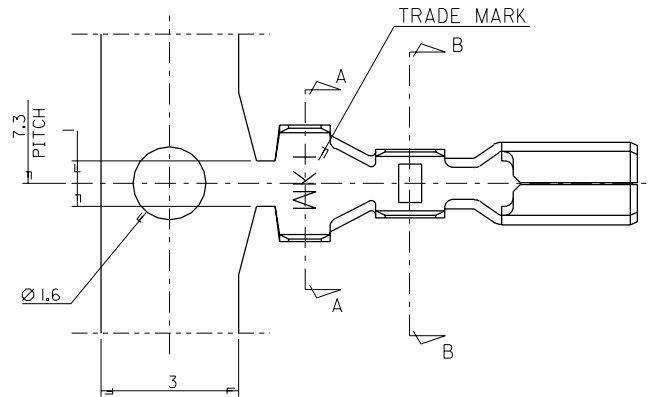
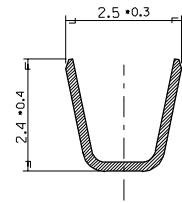


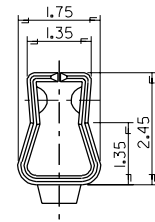
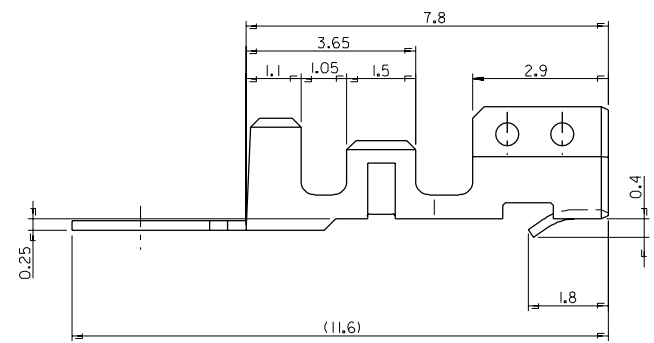
DWG. NO. PROJECT NO. SIMILAR ITEM DO NOT SCALE DRAWING DIMENSION IN METRIC



SECTION B-B



SECTION A-A



NOTE

1. MATERIAL : BRASS/PHOSPHOR BRONZE (+0.203)
2. APPLIED HOUSING : 35572-**-00
3. APPLIED WIRE : AWG#22#28(INS. RANGE: ϕ 15±1.8)

PRE-TINNED BRASS	57915-9002
PRE-TINNED PHOSPHOR BRONZE	57915-8001
MATERIAL	ENG NO.

NEW RELEASED EC NO. KOR2000-0026 DRWN: H.S.SHIN 00/04/19 CHK: J.K.OH APPR: C.W.LEE	DESCRIPTION MAJOR CRITICAL	GENERAL TOLERANCES: (UNLESS SPECIFIED)		SCALE 10-1	DESIGN UNITS <input checked="" type="checkbox"/> mm <input type="checkbox"/> INCH	DIMENSIONS: <input type="checkbox"/> mm <input type="checkbox"/> INCH <input checked="" type="checkbox"/> mm ONLY	SHT REV REVISE ON CAD ONLY	
		4 PLACES	±0.	±.	DRAWN BY & DATE H.S.SHIN 00/02/19			TITLE: 2.5 PITCH W/B CONN. CRIMPING TERMINAL
		3 PLACES	±0.	±.	CHECKED BY & DATE J.K.OH			
		2 PLACES	±0.	±.	APPROVED BY & DATE C.W.LEE			
1 PLACE	±0.2	±.	CAD FILENAME SD57915.DGN					
DRAFT WHERE APPLICABLE MUST REMAIN WITHIN DIMENSIONS		ANGULAR: ± °		MOLEX INCORPORATED KOREA		MATERIAL NO. SEE TABLE	DRAWING NO. SD-57915-001	SHEET NO. 1/1
THIS DRAWING CONTAINS INFORMATION THAT IS PROPRIETARY TO MOLEX INCORPORATED AND SHOULD NOT BE USED WITHOUT WRITTEN PERMISSION.						SIZE B		