

# 62153-1 ✓ ACTIVE

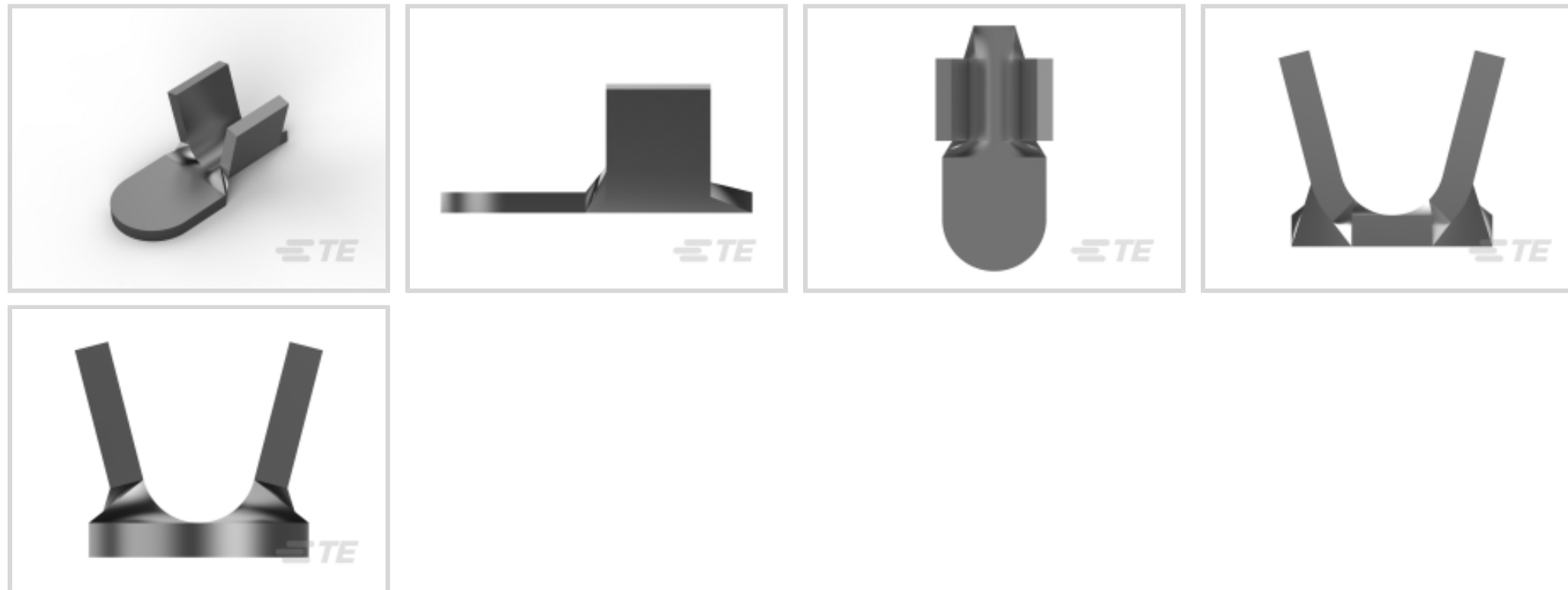
TE Internal #: 62153-1

Quick Disconnects, Tab, 20 – 16 AWG Wire Size, .51 – 1.31 mm<sup>2</sup> Wire Size, Straight, Steel, Tin Plating, Strip/Reel, F-Crimp, Open, Uninsulated

[View on TE.com >](#)



Terminals & Splices > Quick Disconnects



Quick Disconnect Terminal Type: **Tab**

Wire Size: **.51 – 1.31 mm<sup>2</sup>**

Terminal Orientation: **Straight**

Contact Base Material: **Steel**

## Features

### Product Type Features

Terminates To	Wire & Cable
Wire Stop	No
Wire/Cable Type	Regular Wire
Sealable	No

### Contact Features

Quick Disconnect Terminal Type	Tab
Terminal Orientation	Straight
Contact Base Material	Steel
Terminal Plating Material	Tin
Crimp Type	F-Crimp
Barrel Type	Open

### Mechanical Attachment

Mating Retention Type	Dimple
Wire Insulation Support	Without

### Dimensions



Overall Length	6.86 mm[.27 in]
Receptacle Terminal Stock Thickness	.51 mm[.02 in]
Wire Size	.51 – 1.31 mm <sup>2</sup>

### Usage Conditions

Insulation Option	Uninsulated
Operating Temperature Range	-40 – 250 °C[-40 – 482 °F]

### Industry Standards

UL Rating	Listed
-----------	--------

### Packaging Features

Packaging Quantity	20000
Packaging Method	Strip/Reel

### Other

Comment	Dimple up.
---------	------------

## Product Compliance

[For compliance documentation, visit the product page on TE.com>](#)


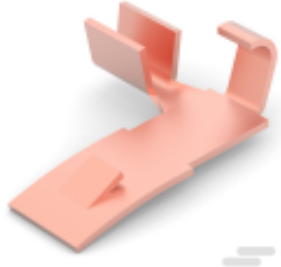
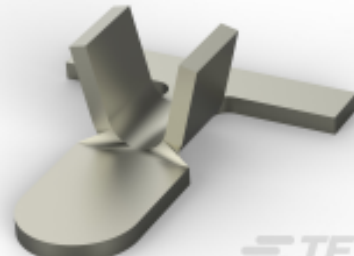



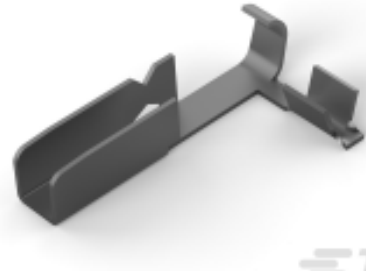
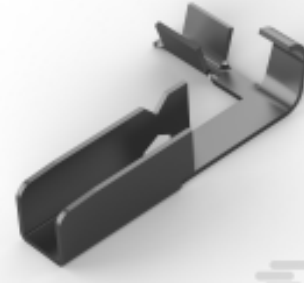
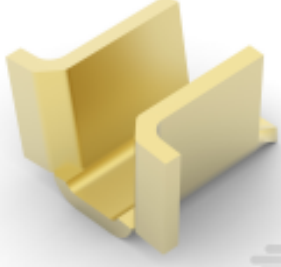


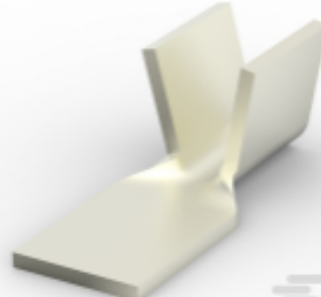
EU RoHS Directive 2011/65/EU	Compliant
EU ELV Directive 2000/53/EC	Compliant
China RoHS 2 Directive MIIT Order No 32, 2016	No Restricted Materials Above Threshold
EU REACH Regulation (EC) No. 1907/2006	Current ECHA Candidate List: JUNE 2022 (224) Candidate List Declared Against: JAN 2022 (223) SVHC > Threshold: Not Yet Reviewed
Halogen Content	Low Halogen - Br, Cl, F, I < 900 ppm per homogenous material. Also BFR/CFR/PVC Free
Solder Process Capability	Not applicable for solder process capability

#### Product Compliance Disclaimer

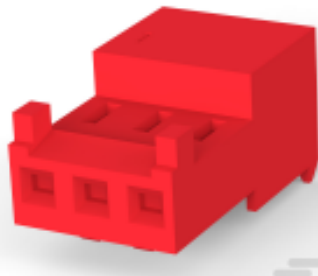
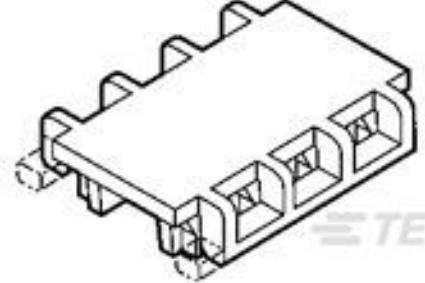
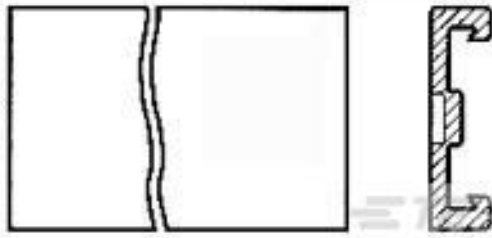

This information is provided based on reasonable inquiry of our suppliers and represents our current actual knowledge based on the information they provided. This information is subject to change. The part numbers that TE has identified as EU RoHS compliant have a maximum concentration of 0.1% by weight in homogenous materials for lead, hexavalent chromium, mercury, PBB, PBDE, DBP, BBP, DEHP, DIBP, and 0.01% for cadmium, or qualify for an exemption to these limits as defined in the Annexes of Directive 2011/65/EU (RoHS2). Finished electrical and electronic equipment products will be CE marked as required by Directive 2011/65/EU. Components may not be CE marked. Additionally, the part numbers that TE has identified as EU ELV compliant have a maximum concentration of 0.1% by weight in homogenous materials for lead, hexavalent chromium, and mercury, and 0.01% for cadmium, or qualify for an exemption to these limits as defined in the Annexes of Directive 2000/53/EC (ELV). Regarding the REACH Regulation, the information TE provides

on SVHC in articles for this part number is based on the latest European Chemicals Agency (ECHA) 'Guidance on requirements for substances in articles' posted at this URL: <https://echa.europa.eu/guidance-documents/guidance-on-reach>

## Compatible Parts

 <p>TE Part # 62827-1 WELD TAB 24-22 AWG SST</p>	 <p>TE Part # 61148-1 BRUSH HOLDER AMPLIVAR 22-17 AWG PHBZ</p>	 <p>TE Part # 63701-1 WELD TAB 20-16 AWG NPSTL</p>	 <p>TE Part # 40990-1 WELD TAB TAB 20-16 AWG TPSTL</p>
 <p>TE Part # 62008-1 BRUSH CONTACT TAB 20-14 AWG PHBZ</p>	 <p>TE Part # 62009-1 BRUSH CONTACT TAB 20-14 AWG PHBZ</p>	 <p>TE Part # 63257-1 CONTACT TERMINAL 22-18 AWG TPBR</p>	 <p>TE Part # 63257-2 CONTACT TERMINAL 22-18 AWG TPBR</p>
 <p>TE Part # 40662 BUTT CONT 20-16 .020BR</p>	 <p>TE Part # 40990 WELD TAB IS 22-18 020STST</p>	 <p>TE Part # 60581-1 WELD TAB 20-16 020 TPSTL</p>	 <p>TE Part # 62134-2 CONTACT 18-14 AWG NPSTL</p>

## Customers Also Bought

 <p>TE Part #3-644540-2 Nylon Tin Plated Receptacle: 2.54mm, With Mating Alignment, MTA 100</p>	 <p>TE Part #643077-3 03P MTA100 MOLDED COVER F/T</p>	 <p>TE Part #640643-4 04P MTA156 COVER F/T</p>	 <p>TE Part #3-640601-4 04P MTA156 CONN ASSY 22AWG LF</p>
--	--	---	--



## Documents

### Product Drawings

[WELD TAB 20-16 AWG TPSTL](#)

English

### CAD Files

[3D PDF](#)

3D

Customer View Model

[ENG\\_CVM\\_CVM\\_62153-1\\_R\\_c-62153-1-r.2d\\_dxf.zip](#)

English

Customer View Model

[ENG\\_CVM\\_CVM\\_62153-1\\_R\\_c-62153-1-r.3d\\_igs.zip](#)

English

Customer View Model

[ENG\\_CVM\\_CVM\\_62153-1\\_R\\_c-62153-1-r.3d\\_stp.zip](#)

English

By downloading the CAD file I accept and agree to the [Terms and Conditions](#) of use.