



AMP-IN

TE Internal #: 60789-2

PCB Terminals, Receptacle, PCB Hole Diameter 1.57 mm [.062 in],
24 – 20 AWG Wire Size, .2 – .6 mm² Wire Size, Crimp, Tin Plating,
Bag

[View on TE.com >](#)

Terminals & Splices > PCB Terminals



PCB Terminal Type: **Receptacle**

PCB Hole Diameter: **1.57 mm [.062 in]**

Mating Pin Diameter: **1.47 mm [.058 in]**

Accepts Wire Insulation Diameter (Max): **1.78 mm [.07 in]**

Accepts Wire Insulation Diameter Range: **1.14 – 1.78 mm [.045 – .07 in]**

Features

Product Type Features

PCB Terminal Mounting Style	Stud Mount
Wire Insulation Support Retention Type	Open Barrel

Configuration Features

Stud Hole	No
Terminal Angle	180 °

Contact Features

Contact Plating Material	Tin
PCB Terminal Type	Receptacle
Mating Pin Diameter	1.47 mm [.058 in]
Terminal Plating Material	Tin
Terminal Orientation	Straight

Termination Features

Termination Method to Wire & Cable	Crimp
Product Terminates To	Wire & Cable



Mechanical Attachment

Wire Insulation Support	With
-------------------------	------

Dimensions

Receptacle Terminal Stock Thickness	.25 mm[.01 in]
PCB Hole Diameter	1.57 mm[.062 in]
Accepts Wire Insulation Diameter (Max)	1.78 mm[.07 in]
Accepts Wire Insulation Diameter Range	1.14 – 1.78 mm[.045 – .07 in]
Wire Size	.2 – .6 mm ²

Usage Conditions

Insulation Option	Uninsulated
Operating Temperature Range	-55 – 105 °C[-67 – 221 °F]

Packaging Features

Packaging Quantity	1000
Packaging Method	Bag

Product Compliance

[For compliance documentation, visit the product page on TE.com>](#)

EU RoHS Directive 2011/65/EU	Compliant
EU ELV Directive 2000/53/EC	Compliant
China RoHS 2 Directive MIIT Order No 32, 2016	No Restricted Materials Above Threshold
EU REACH Regulation (EC) No. 1907/2006	Current ECHA Candidate List: JUNE 2022 (224) Candidate List Declared Against: JAN 2022 (223) SVHC > Threshold: Not Yet Reviewed
Halogen Content	Low Halogen - Br, Cl, F, I < 900 ppm per homogenous material. Also BFR/CFR/PVC Free
Solder Process Capability	Not applicable for solder process capability

Product Compliance Disclaimer

This information is provided based on reasonable inquiry of our suppliers and represents our current actual knowledge based on the information they provided. This information is subject to change. The part numbers that TE has identified as EU RoHS compliant have a maximum concentration of 0.1% by weight in homogenous materials for lead, hexavalent chromium, mercury, PBB, PBDE, DBP, BBP, DEHP, DIBP, and 0.01% for cadmium, or qualify for an exemption to these limits as defined in the Annexes of Directive 2011/65/EU (RoHS2). Finished electrical and electronic equipment products will be CE marked as required by Directive 2011/65/EU. Components may not be CE marked. Additionally, the part

numbers that TE has identified as EU ELV compliant have a maximum concentration of 0.1% by weight in homogenous materials for lead, hexavalent chromium, and mercury, and 0.01% for cadmium, or qualify for an exemption to these limits as defined in the Annexes of Directive 2000/53/EC (ELV). Regarding the REACH Regulation, the information TE provides on SVHC in articles for this part number is based on the latest European Chemicals Agency (ECHA) 'Guidance on requirements for substances in articles' posted at this URL: <https://echa.europa.eu/guidance-documents/guidance-on-reach>

Compatible Parts



TE Part # 60986-1
.058 DIA PIN RECPT L/P



TE Part # 91507-1
CCII .058 REC P.C. 24-20 ASSY



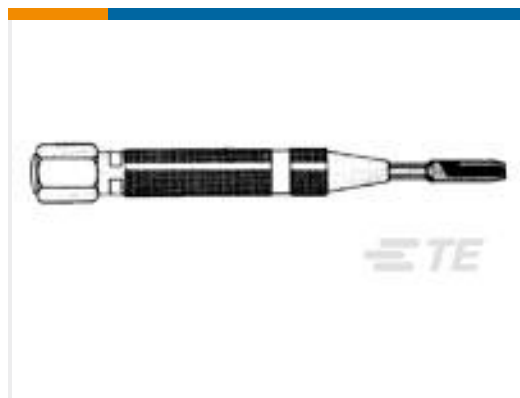
TE Part # 60940-2
058 PIN REC 24-20 SN/BECU



TE Part # 170136-2
1.47MM DIA PIN RECEPT STRIP



TE Part # 170137-1
.058 DIA P.C.B REC LP



TE Part # 452383-1
INSERTION TOOL



TE Part # 61323-2
058 R/A PIN REC 24-20 TPBECU

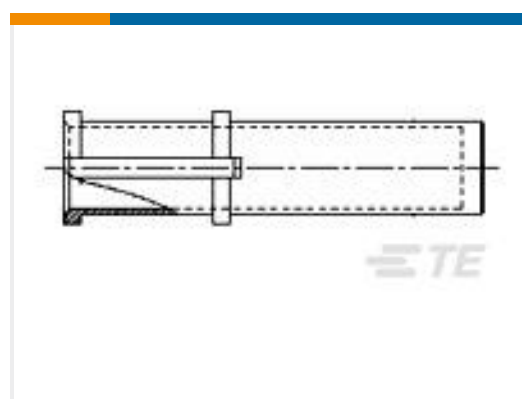


TE Part # 2031200-1
CCII .058 DIA REC PC CONT 24 ASSY



TE Part # 91507-3
CCII .058 REC P.C. 24-20 HEAD

Customers Also Bought



TE Part #688576-000
HEX07-AC



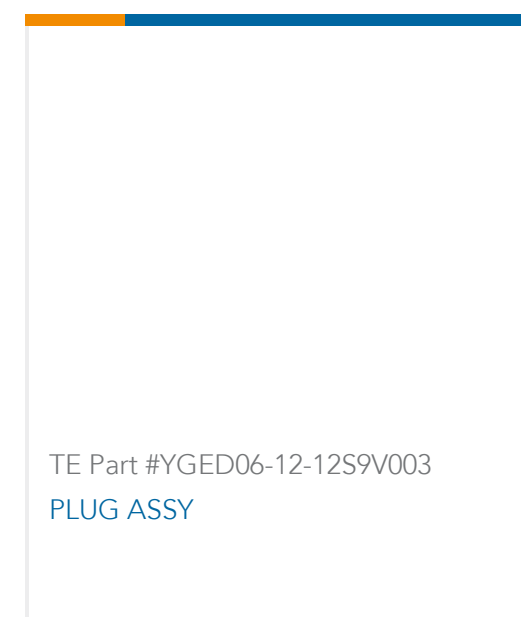
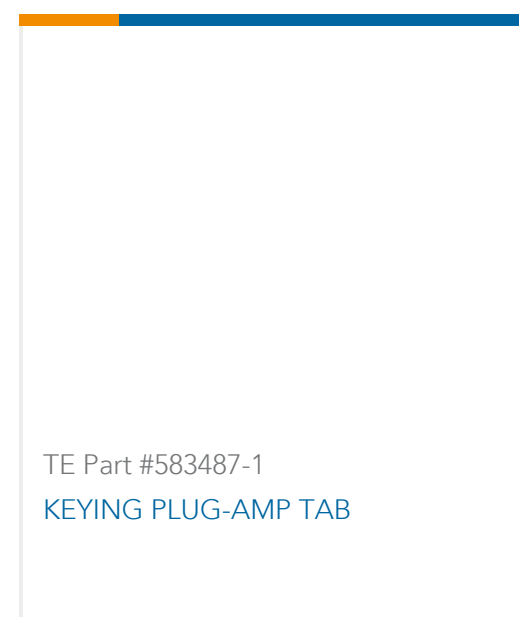
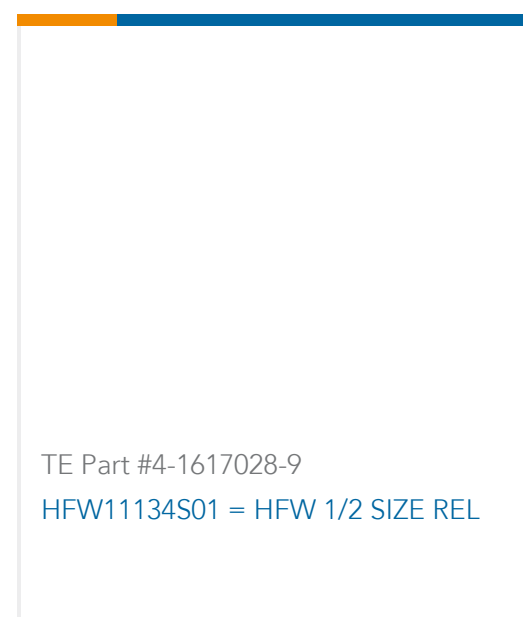
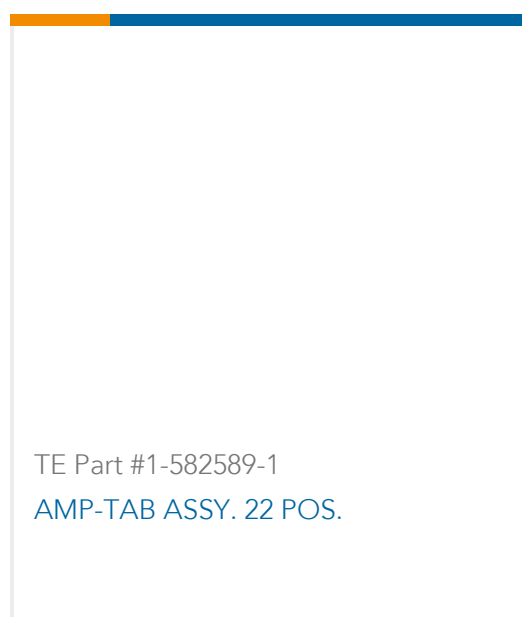
TE Part #2-320572-3
TERMINAL,PIDG R IR 20 5/16



TE Part #880443-000
CWT-3803-W2



TE Part #1617031-2
HFW1201K03 = HFW 1/2 SIZE RELA



Documents

Product Drawings

[.058 DIA RECEPTACLE LP 20-24](#)

English

CAD Files

[3D PDF](#)

English

Customer View Model

[ENG_CVM_60789-2_AE.3d_igs.zip](#)

English

Customer View Model

[ENG_CVM_60789-2_AE.3d_stp.zip](#)

English

Customer View Model

[ENG_CVM_60789-2_AE.2d_dxf.zip](#)

English

[3D PDF](#)

3D

Customer View Model

[ENG_CVM_CVM_60789-2_G.2d_dxf.zip](#)

English

Customer View Model

[ENG_CVM_CVM_60789-2_G.3d_igs.zip](#)

English

Customer View Model

[ENG_CVM_CVM_60789-2_G.3d_stp.zip](#)

English



By downloading the CAD file I accept and agree to the [Terms and Conditions](#) of use.

Datasheets & Catalog Pages

PRINTED CIRCUIT BOARD TERMINALS AND DISCONNECTS

English

Product Specifications

Application Specification

English

Product Environmental Compliance

Product Compliance

English

Product Compliance

English