

66569-3 ✓ ACTIVE

AMPLIMITE

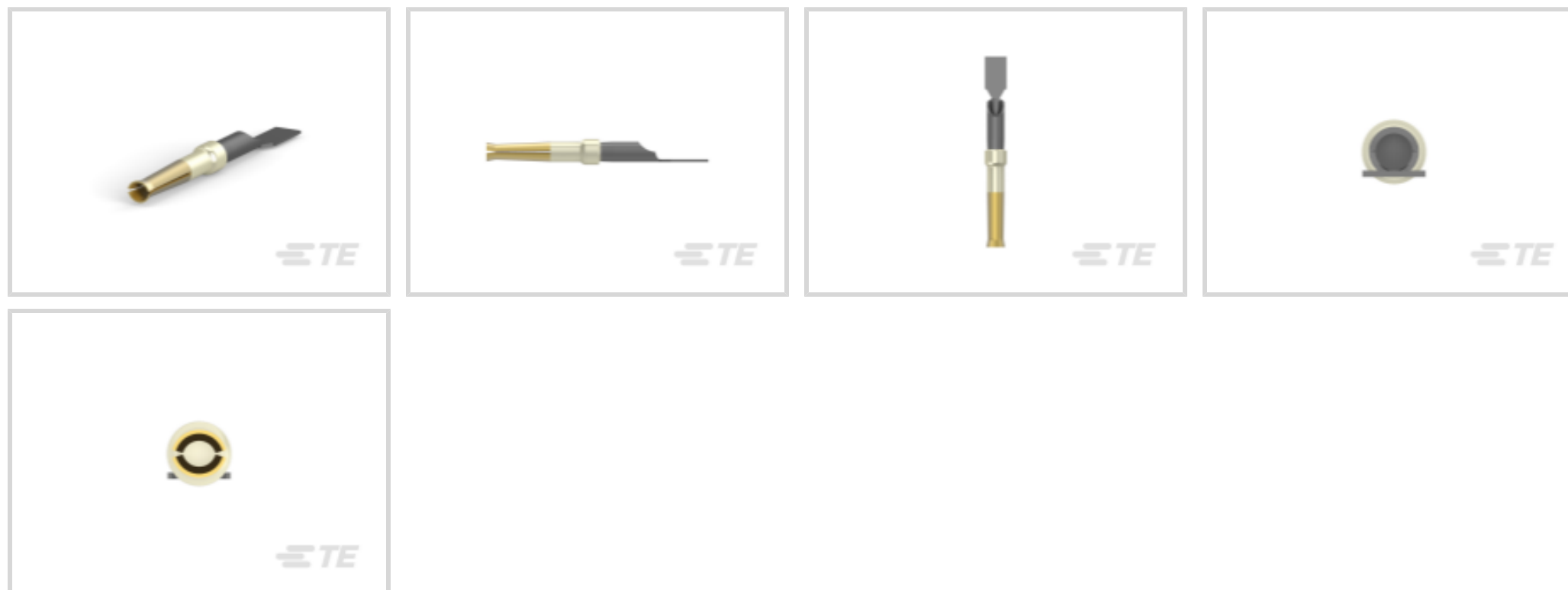
TE Internal #: 66569-3

D-Sub Connector Contacts, Socket, Size 20, Phosphor Bronze, Gold, Solder, 18 AWG Wire Size, .8 – .9 mm<sup>2</sup> Wire Size, Cable-to-Cable, Wire & Cable, 3.1 A

[View on TE.com >](#)



Connectors > D-Shaped Connectors > D-Sub Connector Contacts > D-Sub Conn Contacts: Socket, Phosphor Bronze, Signal, Size 20



Contact Type: **Socket**

D-Sub Contact Size: **20**

Contact Base Material: **Phosphor Bronze**

Contact Mating Area Plating Material: **Gold**

Termination Method to Wire & Cable: **Solder**

[All D-Sub Conn Contacts: Socket, Phosphor Bronze, Signal, Size 20 \(58\)](#)

### Features

#### Product Type Features

Product Type	Contact
Grade	Standard
Connector System	Cable-to-Cable
Connector & Contact Terminates To	Wire & Cable

#### Contact Features

	30 μin
Pin Diameter	1.02 mm
Contact Underplating Material	Nickel
PCB Contact Termination Area Plating Material	Tin
Contact Type	Socket
D-Sub Contact Size	20
Contact Base Material	Phosphor Bronze
Contact Mating Area Plating Material	Gold



Contact Current Rating (Max)	3.1 A
------------------------------	-------

### Termination Features

	.37 in
Termination Method to Wire & Cable	Solder

### Mechanical Attachment

Contact Retention Type Within Housing	Snap-In
Wire Insulation Support	Without

### Dimensions

Post Diameter	2.16 mm
Wire Size	.8 – .9 mm <sup>2</sup>

### Usage Conditions

Operating Temperature Range	-55 – 105 °C[-67 – 221 °F]
-----------------------------	----------------------------

### Operation/Application

Circuit Application	Signal
---------------------	--------

### Packaging Features

Packaging Quantity	10000
Packaging Method	Loose Piece

## Product Compliance

[For compliance documentation, visit the product page on TE.com>](#)

EU RoHS Directive 2011/65/EU	Compliant
EU ELV Directive 2000/53/EC	Compliant
China RoHS 2 Directive MIIT Order No 32, 2016	No Restricted Materials Above Threshold
EU REACH Regulation (EC) No. 1907/2006	Current ECHA Candidate List: JUNE 2022 (224) Candidate List Declared Against: JUNE 2022 (224) Does not contain REACH SVHC
Halogen Content	Low Halogen - Br, Cl, F, I < 900 ppm per homogenous material. Also BFR/CFR/PVC Free
Solder Process Capability	Not applicable for solder process capability

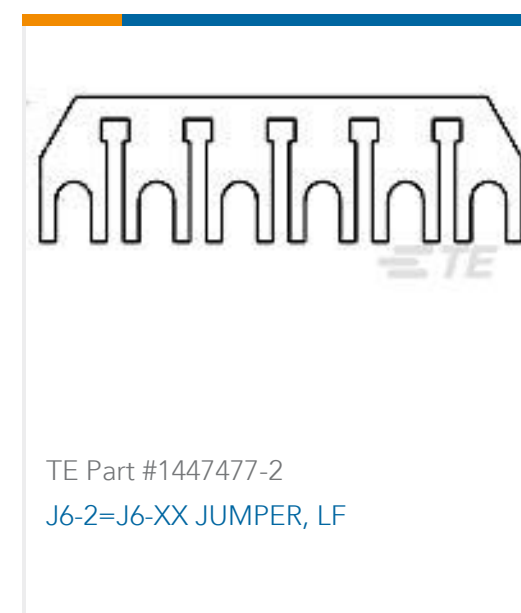
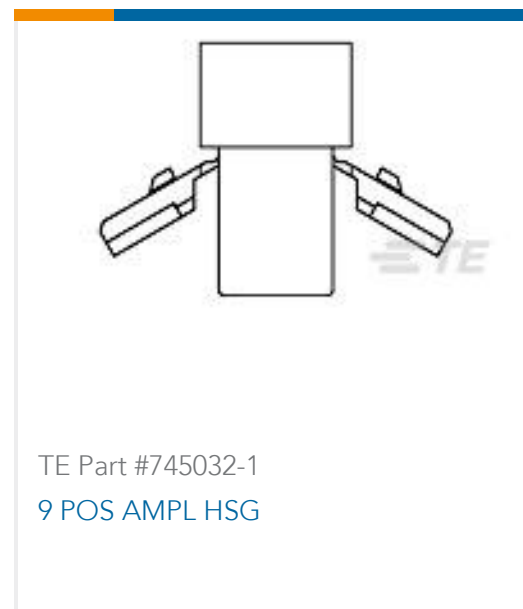
Product Compliance Disclaimer

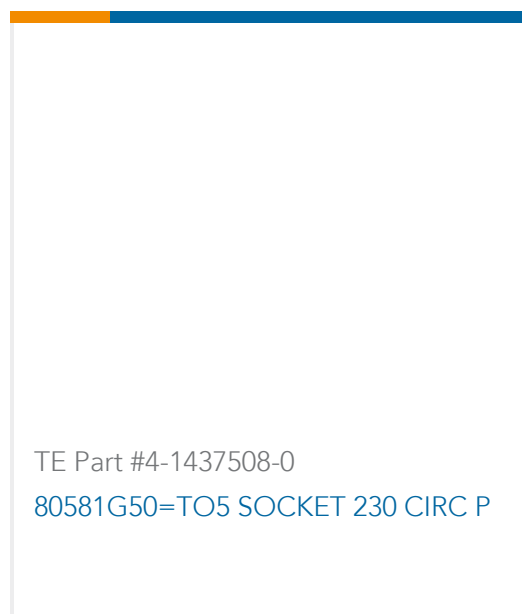
This information is provided based on reasonable inquiry of our suppliers and represents our current actual knowledge based on the information they provided. This information is subject to change. The part numbers that TE has identified as EU RoHS compliant have a maximum concentration of 0.1% by weight in homogenous materials for lead, hexavalent chromium, mercury, PBB, PBDE, DBP, BBP, DEHP, DIBP, and 0.01% for cadmium, or qualify for an exemption to these limits as defined in the Annexes of Directive 2011/65/EU (RoHS2). Finished electrical and electronic equipment products will be CE marked as required by Directive 2011/65/EU. Components may not be CE marked. Additionally, the part numbers that TE has identified as EU ELV compliant have a maximum concentration of 0.1% by weight in homogenous materials for lead, hexavalent chromium, and mercury, and 0.01% for cadmium, or qualify for an exemption to these limits as defined in the Annexes of Directive 2000/53/EC (ELV). Regarding the REACH Regulation, the information TE provides on SVHC in articles for this part number is based on the latest European Chemicals Agency (ECHA) 'Guidance on requirements for substances in articles' posted at this URL: <https://echa.europa.eu/guidance-documents/guidance-on-reach>

## Compatible Parts



## Customers Also Bought





## Documents

### Product Drawings

[20DF SOCKET CONT. L.P.](#)

English

### CAD Files

[3D PDF](#)

3D

Customer View Model

[ENG\\_CVM\\_CVM\\_66569-3\\_AD\\_c-66569-3-ad.2d\\_dxf.zip](#)

English

Customer View Model

[ENG\\_CVM\\_CVM\\_66569-3\\_AD\\_c-66569-3-ad.3d\\_igs.zip](#)

English

Customer View Model

[ENG\\_CVM\\_CVM\\_66569-3\\_AD\\_c-66569-3-ad.3d\\_stp.zip](#)

English

By downloading the CAD file I accept and agree to the [Terms and Conditions](#) of use.

### Datasheets & Catalog Pages

[AMP Circular Connectors for Commercial Signal & Power Applications](#)

English

[Signal Contacts](#)

English

[AMPLIMITE Subminiature D Connectors - Cable Connectors](#)

English

[AMPLIMITE Cable Connectors and Shielding Hardware Kits QRG](#)

English

### Product Specifications

[Application Specification](#)

English

### Product Environmental Compliance

[MD\\_66569-3\\_07192018726\\_dmtec](#)

English

[MD\\_66569-3\\_07192018726\\_dmtec](#)



English

---

[Instruction Sheets](#)

[Instruction Sheet \(U.S.\)](#)

English