

PRODUCT NUMBER
57202-XXX-XXXXXLF

PLATING
S = 0.38µm GOLD/GXT ON CONTACT AREA
3.81µm TIN LEAD ON TAIL
G = 0.76µm GOLD/GXT ON CONTACT AREA
3.81µm TIN LEAD ON TAIL
F = GOLD FLASH ON CONTACT AREA
3.81µm TIN LEAD ON TAIL

WHEN "LF" IS REQUIRED, 2µm MIN
MATTE TIN OVER 1.27µm MIN NICKEL
INSTEAD OF TIN-LEAD

WHEN REQUIRED, ADD SUFFIX
LETTER "LF" INDICATES THE
PRODUCT IS RoHS COMPATIBLE
SEE NOTE 7

POLARIZATION, SEE NOTE 6

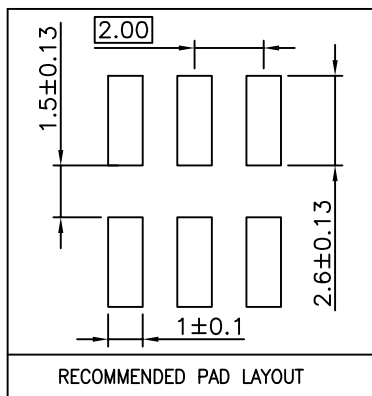
PACKAGING, SEE NOTE 5

NB OF POS PER ROW : 02 TO 25

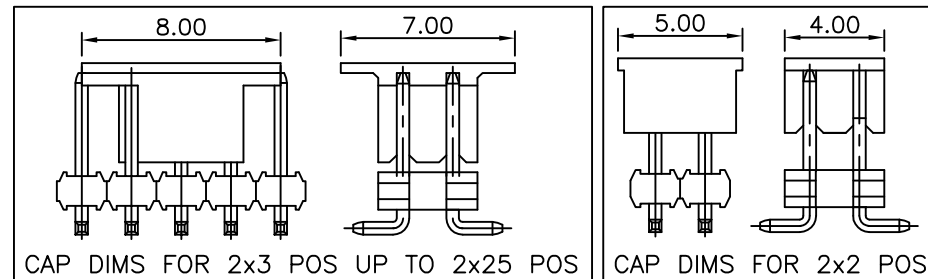
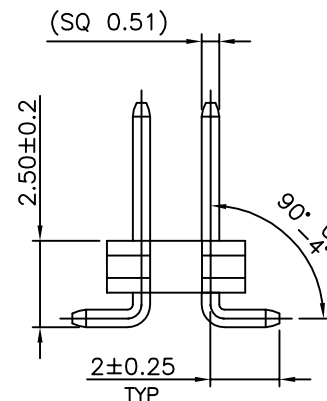
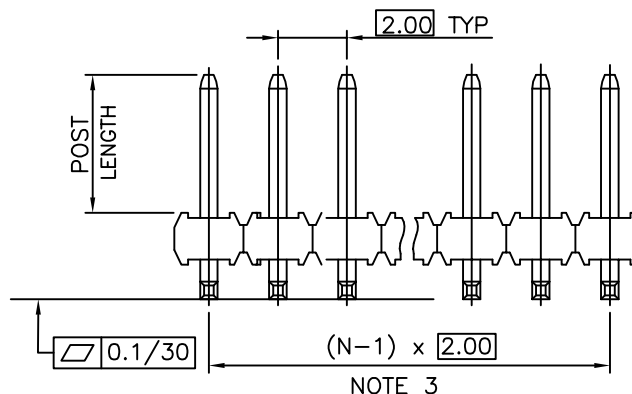
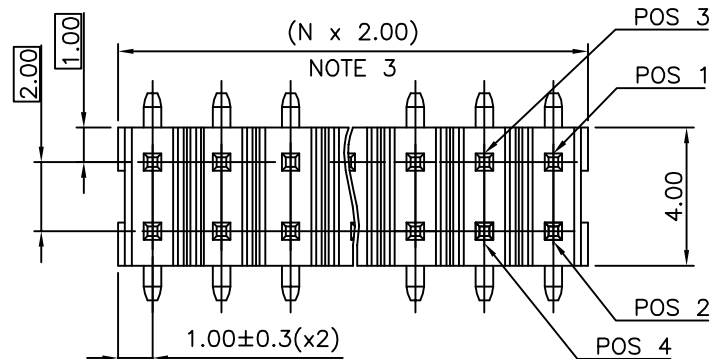
| STYLE | POST LENGTH ±0.2 |
|-------|---------------------|
| 51 | 2.00 |
| 52 | 4.00 |
| 53 | 3.50 |
| 54 | 2.50 |

NOTES:

- MATERIAL HOUSING: HIGH TEMP. THERMOPLASTIC
UL 94V-0, COLOR BLACK
- MATERIAL TERMINAL: COPPER ALLOY
- TO DETERMINE DIMENSIONS:
N = NUMBER OF POSITIONS PER ROW.
- 7N MIN. PIN RETENTION IN EITHER DIRECTION.
- PACKAGING:
= PLASTIC BOX.
- = PLASTIC BOX WHEN POLARISATION FEATURE APPLICABLE.
U = TUBE AVAILABLE FROM 04 TO 25 POS PER ROW.
A = TAPE AND REEL WITH PICK UP CAP INSTALLED
IN THE CENTER OF THE PRODUCT FOR PICK AND PLACE
SEE TA 884 FOR PRODUCT AVAILABILITY.
K = TAPE AND REEL WITHOUT CAP, SEE TA884 FOR AVAILABILITY.
- FOR POLARIZATION, SPECIFY POSITION NUMBER TO OMIT.
EXAMPLE : 03 = OMIT PIN POSITION 3, SEE TOP VIEW.
OMIT FROM PRODUCT NUMBER IF THIS FEATURE IS NOT APPLICABLE.
- RoHS COMPATIBLE PRODUCT SPECIFICATIONS
 - PLATING:
- "LF" MEANS THE PRODUCT IS LEAD-FREE,
2µm MINIMUM MATTE TIN OVER 1.27µm
MINIMUM NICKEL UNDERPLATE.
 - MANUFACTURING PROCESS COMPATIBILITY
- THE HOUSING WILL WITHSTAND EXPOSURE TO
260°C PEAK TEMPERATURE FOR 30 SECONDES
IN A CONVECTION, INFRA-RED OR VAPOR
PHASE REFLOW OVEN.
 - LABELLING:
- MEETS PACKAGING SPECS AS PER GS-14-920
 - LEGAL STATEMENT : SEE GS-22-008



TOP VIEW



| | | | | | | | | | |
|-------------|--|----------------|--|--------------|--|---------------------------------------|--|----------------------|--|
| mat'l. code | | surface | | tolerance | | projection | | product family | |
| | | ISO 1302 | | ISO 406 | | ISO 1101 | | MINITEK | |
| ltr | | ecn no | | date | | tolerances unless otherwise specified | | title | |
| L | | F09-0087 | | JCO 09.09.04 | | angles linear .X ±0.3 | | UNSH HEADER | |
| M | | F11-0026 | | LMU 11.05.12 | | .XX ±0.13 | | 2.00 mm VERTICAL SMT | |
| | | | | | | .XXX ±0.05 | | scale 1:1 | |
| G | | F05-0124 | | LMU 05.02.07 | | dr L.MULIN 04.05.06 | | dwg no | |
| H | | F06-0210 | | LMU 06.07.04 | | engr J.COMPAGNON 0.4.11.25 | | sheet 1 of 1 | |
| J | | F06-0327 | | LMU 07.01.03 | | chr | | size | |
| K | | F08-0145 | | ELA 17.04.08 | | appd JM.C 04.11.25 | | 57202 | |
| sheet index | | revision sheet | | | | | | type | |
| | | | | | | | | CUSTOMER Drawing | |