



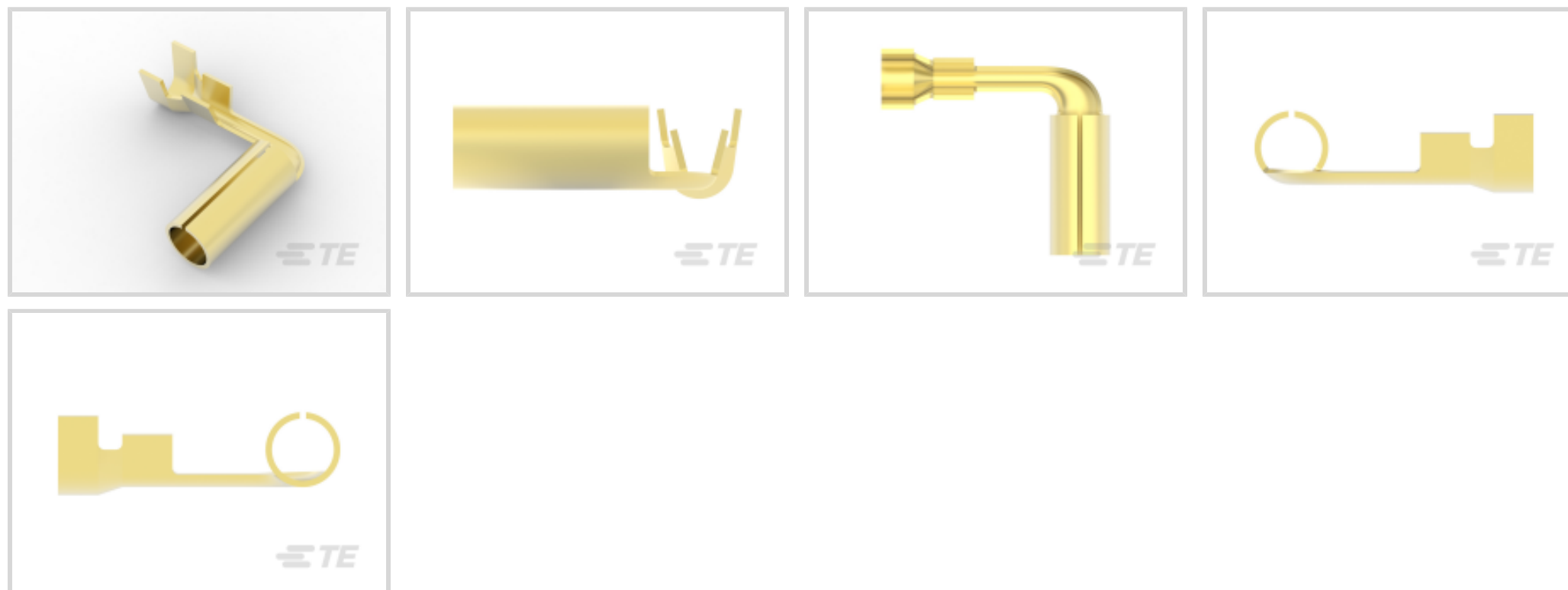
SHUR-PLUG 156

TE Internal #: 60017-3

Crimp Wire Pins, Tabs & Ferrules, Shur-Plug, Pin Diameter 3.96 mm [.156 in], 20 – 16 AWG Wire Size, .5 – 1.3 mm² Wire Size, SHUR-PLUG 156

[View on TE.com >](#)

Terminals & Splices > Crimp Wire Pins, Tabs & Ferrules



Crimp Wire Pin, Tab & Ferrule Terminal Type: **Shur-Plug**

Pin Diameter: **3.96 mm [.156 in]**

Accepts Wire Insulation Diameter Range: **2.54 – 3.56 mm, 3.56 mm [.1 – .14 in, .14 in]**

Wire Size: **.5 – 1.3 mm²**

Features

Product Type Features

Compatible With Discrete Wire Type	Solid, Stranded
------------------------------------	-----------------

Configuration Features

Compatible With Wire & Cable Type	Discrete Wire
-----------------------------------	---------------

Contact Features

Crimp Wire Pin, Tab & Ferrule Terminal Type	Shur-Plug
Barrel Type	Open
Terminal Plating Material	Unplated
Terminal Orientation	Right Angle

Mechanical Attachment

Wire Insulation Support	With
-------------------------	------

Dimensions

Pin Diameter	3.96 mm [.156 in]
Accepts Wire Insulation Diameter Range	2.54 – 3.56 mm, 3.56 mm [.1 – .14 in][.14 in]
Wire Size	1021 – 2582 CMA



Barrel Inside Diameter	1.27 mm, 3.04 mm [.05 in][.12 in]
Terminal Material Thickness	.39 mm [.016 in]
Overall Product Length	15.75 mm [.62 in]

Usage Conditions

Insulation Option	Uninsulated
Operating Temperature Range	-40 – 85 °C [-40 – 185 °F]

Operation/Application

Heavy Duty	No
------------	----

Packaging Features

Packaging Quantity	5000
Packaging Method	Reel

Product Compliance

[For compliance documentation, visit the product page on TE.com>](#)

EU RoHS Directive 2011/65/EU	Compliant
EU ELV Directive 2000/53/EC	Compliant
China RoHS 2 Directive MIIT Order No 32, 2016	No Restricted Materials Above Threshold
EU REACH Regulation (EC) No. 1907/2006	Current ECHA Candidate List: JUNE 2022 (224) Candidate List Declared Against: JAN 2022 (223) SVHC > Threshold: Not Yet Reviewed
Halogen Content	Low Halogen - Br, Cl, F, I < 900 ppm per homogenous material. Also BFR/CFR/PVC Free
Solder Process Capability	Not applicable for solder process capability

Product Compliance Disclaimer

This information is provided based on reasonable inquiry of our suppliers and represents our current actual knowledge based on the information they provided. This information is subject to change. The part numbers that TE has identified as EU RoHS compliant have a maximum concentration of 0.1% by weight in homogenous materials for lead, hexavalent chromium, mercury, PBB, PBDE, DBP, BBP, DEHP, DIBP, and 0.01% for cadmium, or qualify for an exemption to these limits as defined in the Annexes of Directive 2011/65/EU (RoHS2). Finished electrical and electronic equipment products will be CE marked as required by Directive 2011/65/EU. Components may not be CE marked. Additionally, the part numbers that TE has identified as EU ELV compliant have a maximum concentration of 0.1% by weight in homogenous materials for lead, hexavalent chromium, and mercury, and 0.01% for cadmium, or qualify for an exemption to these limits as defined in the Annexes of Directive 2000/53/EC (ELV). Regarding the REACH Regulation, the information TE provides on SVHC in articles for this part number is based on the latest European Chemicals Agency (ECHA) 'Guidance on requirements for substances in articles' posted at this URL: <https://echa.europa.eu/guidance-documents/guidance-on-reach>

Compatible Parts



TE Part # 61388-1
SHUR PLUG 156 20-16 AWG PTPBR



TE Part # 42142-1
SHUR PLUG TERMINAL 18-14 AWG TPBR



TE Part # 42581-2
SHUR PLUG 156 RECEPTACLE 22-18 AWG TPBR



TE Part # 60766-1
SHUR PLUG 156 18-14 AWG BR



TE Part # 170012-2
SHUR PLUG REC 20-16 MM2 0.32 X 13.97 BR



TE Part # 42142-2
SHUR PLUG TERMINAL 18-14 AWG BR



TE Part # 42700-1
SHUR PLUG 180 RECEPTACLE 20-16 AWG BR



TE Part # 42749-1
SHUR PLUG 180 REC 20-16 AWG BR



TE Part # 505038-1
SHUR PLUG 180 CRIMP TAB 20-16 AWG BR



TE Part # 2-2837967-1
OCEAN-2.0-APPLICATOR-S-090F1550



TE Part # 2-2837967-2
OCEAN-2.0-APPLICATOR-S-090F1550



TE Part # 2837967-1
OCEAN-2.0-APPLICATOR-S-090F1550



TE Part # 2837967-2
OCEAN-2.0-APPLICATOR-S-090F1550



TE Part # 42531-1
180 SHPL REC 20-16 016BR



TE Part # 7-2837967-1
OCEAN-2.0-APPLICATOR-S-090F1550



TE Part # 7-2837967-2
OCEAN-2.0-APPLICATOR-S-090F1550



KIT
REPRESENTATION ONLY

TE Part # 7-2837967-7
OCEAN_2.0_SPARE_PART_KIT-090F1550

Also in the Series | **SHUR-PLUG 156**



Crimp Wire Pins, Tabs & Ferrules(24)

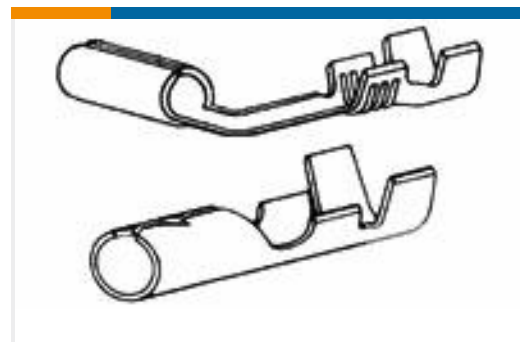
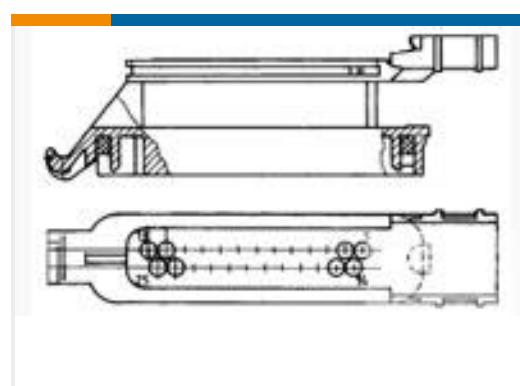
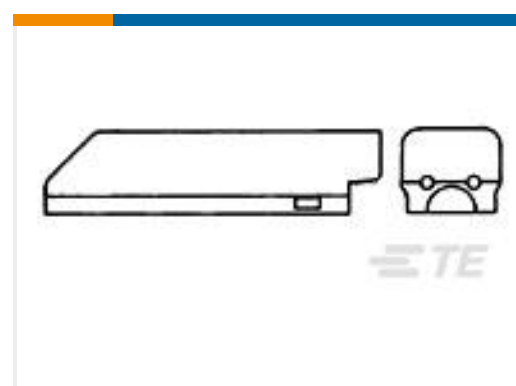
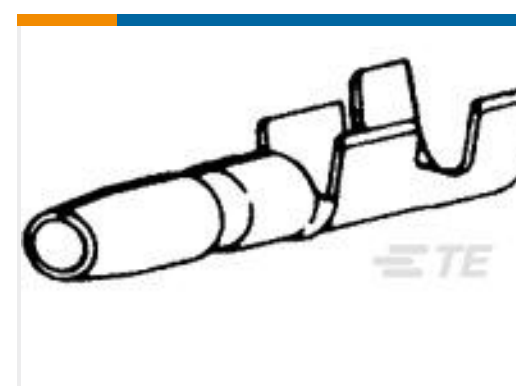


Ring Terminals & Spade Terminals(6)



Special Purpose Terminals(1)

Customers Also Bought

TE Part #61863-2
RING CRIMP 18-14 AWG TPBRTE Part #42142-1
SHUR PLUG TERMINAL 18-14 AWG TPBRTE Part #61375-1
250 FASTON REC 18-14 AWG TPBRTE Part #1544316-2
JOINT ORANGE G3TE Part #1011-236-0405
BKSHL, 4P, BLK, PLG, RA, NW6/7.5/8.5 /10TE Part #281810-1
JUNIOR TIMER WIRE SEAL COTE Part #281812-1
COVER FOR 25W. SPLASH PROOF COTE Part #60766-2
SHUR PLUG .156 18-14 AWG PTPBRTE Part #1544333-1
LANGUETTE 8MM NG1TE Part #1544316-3
BOUCHON BLANC

Documents

Product Drawings

[RIGHT ANGLE SHUR PLUG REC 20-16 0.41 BR](#)

English

CAD Files

[3D PDF](#)

[3D](#)

[Customer View Model](#)

[ENG_CVM_CVM_60017-3_W.2d_dxf.zip](#)



English

Customer View Model

[ENG_CVM_CVM_60017-3_W.3d_igs.zip](#)

English

Customer View Model

[ENG_CVM_CVM_60017-3_W.3d_stp.zip](#)

English

By downloading the CAD file I accept and agree to the [Terms and Conditions](#) of use.

Product Specifications

[Application Specification](#)

English

Product Environmental Compliance

[TE Material Declaration](#)

English