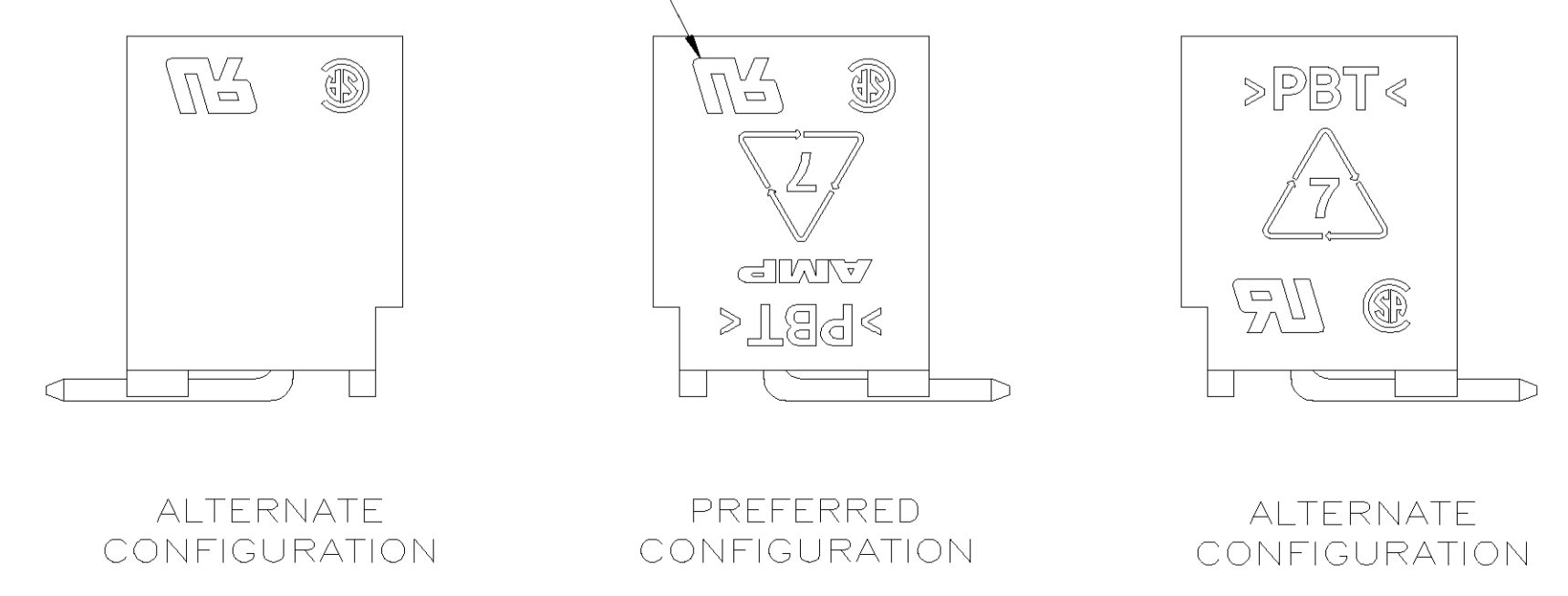
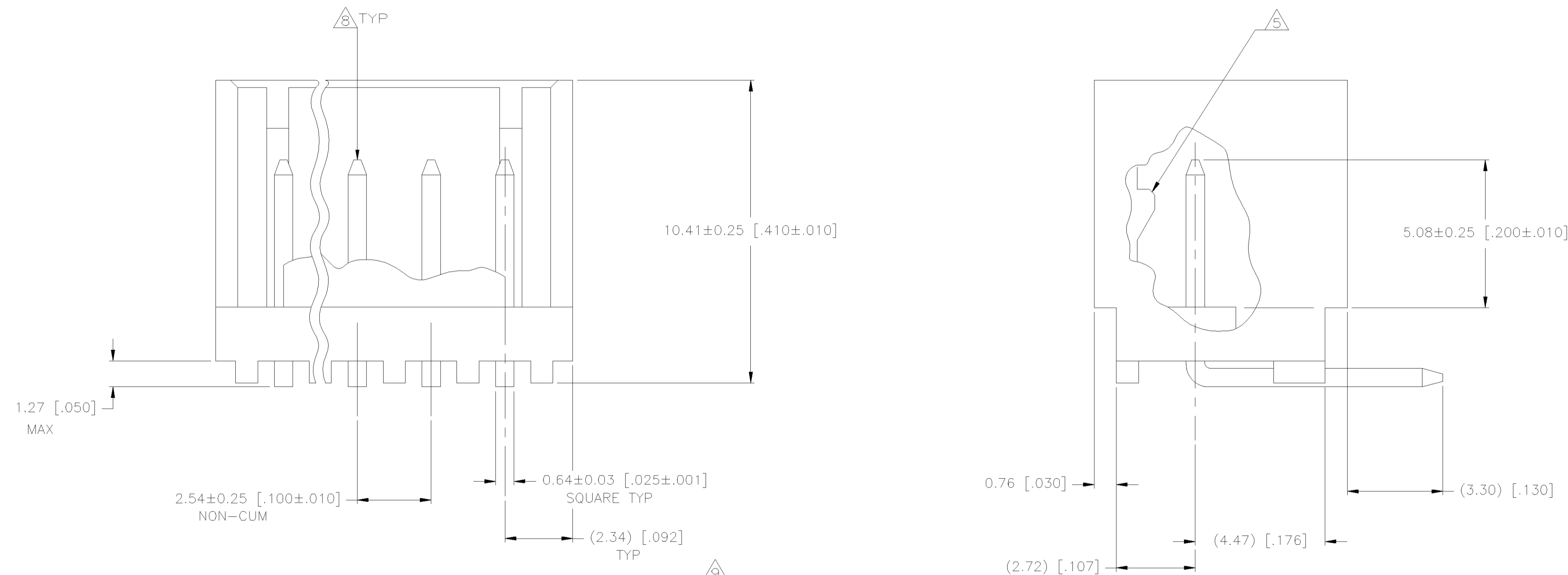


- 1 MATERIAL: HEADER- POLYESTER UL94V-0 (BLACK)  
POST- PH BRZ.
- 2 SOLDER SIDE OF P.C. BOARD SHOWN.
- 3. PARTS COMPLY WITH AMP SOLDERABILITY SPEC. 109-11-2.
- 4 ONE HOLE MAY BE UNDERSIZED 0.81-1.89 [.032-.035] DIA FOR ASSEMBLY RETENTION DURING WAVE SOLDERING.
- 5 LATCH DETENT FEATURE OCCURS 2 PLACES ON EACH END (MAXIMUM OF FOUR PER PART). FOR 2 THRU 5 CIRCUIT HEADERS, LATCH FEATURE OCCURS BETWEEN EACH CIRCUIT.
- 6 COORDINATE DIMENSION APPLIES FROM CENTER OF ACTUAL FEATURE.
- 7 POST: MATTE TIN LEAD (93/7) PLATING.
- 8 POST MUST WITHSTAND 13.34 NEWTONS [3.0] LBS. MIN. FORCE WITHOUT DISLODGING, EITHER DIRECTION.
- 9 UL AND CSA LOGO WILL APPEAR IN THIS AREA. AMP LOGO MAY APPEAR IN THIS AREA OR ON BOTTOM OF PART.
- 10. ADDITIONAL FORM MAY OR MAY NOT OCCUR AT HOUSING EDGE DUE TO FORMING OPERATION.



POSSIBLE MARKING CONFIGURATIONS  
SCALE 5:1

37.69	1.484	14	1-644803-4
35.15	1.384	13	1-644803-3
32.61	1.284	12	1-644803-2
30.07	1.184	11	1-644803-1
27.53	1.084	10	1-644803-0
24.99	.984	9	644803-9
22.45	.884	8	644803-8
19.91	.784	7	644803-7
17.37	.684	6	644803-6
14.83	.584	5	644803-5
12.29	.484	4	644803-4
9.75	.384	3	644803-3
7.21	.284	2	644803-2
MM	IN	NO. OF POSITIONS	PART NUMBER
L		HEADER ASSEMBLY	

THIS DRAWING IS A CONTROLLED DOCUMENT.

OWN: S. HAMM 26-MAR-2001  
 CHK: D. BOSSI 26-MAR-2001  
 APVD: D. BOSSI 26-MAR-2001

Tyco Electronics Corporation  
 Harrisburg, PA 17105-3608

MTA-.100 SHROUDED HEADER ASSEMBLY, FRICTION LOCK, RIGHT ANGLE POST, TIN LEAD PLATED

SIZE: A1 CAGE CODE: 00779 DRAWING NO: 644803

SCALE: 10:1 SHEET: 1 OF 1 REV: C

