

60812-1 ✓ ACTIVE

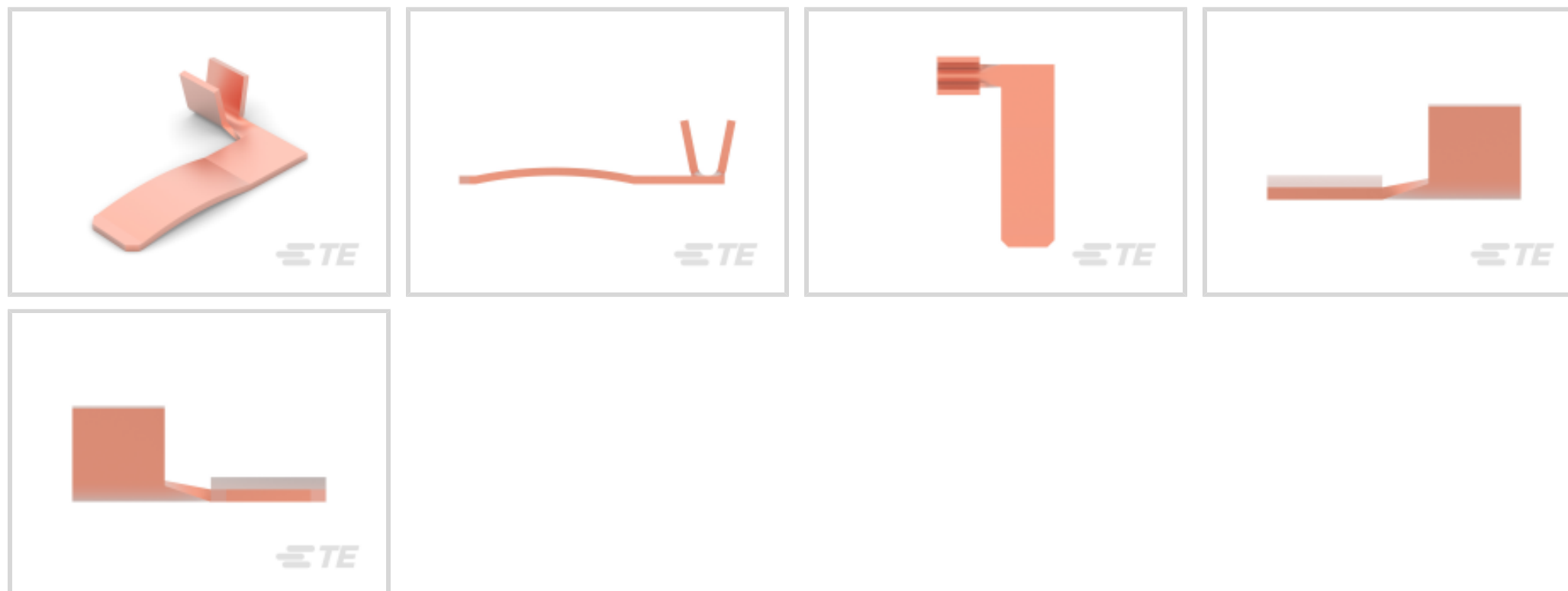
TE Internal #: 60812-1

Special Purpose Terminals, Brush, 18 – 14 AWG Wire Size, .8 – 2 mm² Wire Size, Unplated Plating, Length 11.05 mm [.435 in], Reel, Open, Flag

[View on TE.com >](#)



Terminals & Splices > Special Purpose Terminals



Special Purpose Terminal Type: **Brush**

Heavy Duty: **No**

Wire Size: **.8 – 2 mm²**

Terminal Material Thickness: **.51 mm [.02 in]**

Features

Product Type Features

Wire/Cable Type	Discrete Wire
Wire Insulation Support Retention Type	Non-Insulation Support
Sealable	No

Contact Features

Special Purpose Terminal Type	Brush
Terminal Plating Material	Unplated
Barrel Type	Open
Terminal Orientation	Flag

Mechanical Attachment

Wire Insulation Support	Without
-------------------------	---------

Dimensions

Wire Size	.8 – 2 mm ²
Terminal Material Thickness	.51 mm [.02 in]
Overall Product Length	11.05 mm [.435 in]

Usage Conditions



Insulation Option	Uninsulated
-------------------	-------------

Operation/Application

Heavy Duty	No
------------	----

Packaging Features

Packaging Quantity	3600
--------------------	------

Packaging Method	Reel
------------------	------

Other

Comment	Right hand
---------	------------

Product Compliance

[For compliance documentation, visit the product page on TE.com>](#)

EU RoHS Directive 2011/65/EU	Compliant
------------------------------	-----------

EU ELV Directive 2000/53/EC	Compliant
-----------------------------	-----------

China RoHS 2 Directive MIIT Order No 32, 2016	No Restricted Materials Above Threshold
---	---

EU REACH Regulation (EC) No. 1907/2006	Current ECHA Candidate List: JUNE 2022 (224) Candidate List Declared Against: JAN 2022 (223) SVHC > Threshold: Not Yet Reviewed
--	--

Halogen Content	Low Halogen - Br, Cl, F, I < 900 ppm per homogenous material. Also BFR/CFR/PVC Free
-----------------	---

Solder Process Capability	Not applicable for solder process capability
---------------------------	--

Product Compliance Disclaimer

This information is provided based on reasonable inquiry of our suppliers and represents our current actual knowledge based on the information they provided. This information is subject to change. The part numbers that TE has identified as EU RoHS compliant have a maximum concentration of 0.1% by weight in homogenous materials for lead, hexavalent chromium, mercury, PBB, PBDE, DBP, BBP, DEHP, DIBP, and 0.01% for cadmium, or qualify for an exemption to these limits as defined in the Annexes of Directive 2011/65/EU (RoHS2). Finished electrical and electronic equipment products will be CE marked as required by Directive 2011/65/EU. Components may not be CE marked. Additionally, the part numbers that TE has identified as EU ELV compliant have a maximum concentration of 0.1% by weight in homogenous materials for lead, hexavalent chromium, and mercury, and 0.01% for cadmium, or qualify for an exemption to these limits as defined in the Annexes of Directive 2000/53/EC (ELV). Regarding the REACH Regulation, the information TE provides on SVHC in articles for this part number is based on the latest European Chemicals Agency (ECHA) 'Guidance on requirements for substances in articles' posted at this URL: <https://echa.europa.eu/guidance-documents/guidance-on-reach>

Compatible Parts




TE Part # 62008-1
BRUSH CONTACT TAB 20-14 AWG
PHBZ



TE Part # 62009-1
BRUSH CONTACT TAB 20-14 AWG
PHBZ



TE Part # 1-150504-2
BUTTON CONTACT 20-16 .0158 X .
625 TPBR



TE Part # 170023-1
BUTTON CONTACT



TE Part # 2-2150878-1
OCEAN_2.0_Applicator-E-100F



TE Part # 2-2150878-2
OCEAN_2.0_Applicator-E-100F



TE Part # 2150878-1
OCEAN_2.0_Applicator-E-100F



TE Part # 2150878-2
OCEAN_2.0_Applicator-E-100F



TE Part # 61390-1
BRUSH CONT 18-14 110-160 016BR



TE Part # 63020-1
BRUSH TERMINAL 24-20 AWG BR



KIT
REPRESENTATION ONLY
TE Part # 7-2150878-7
OCEAN_2.0_SPARE_PART_KIT-100F

Customers Also Bought



TE Part #5413879-2
JACK ASSY,RTANG,BNC



TE Part #2-520193-2
ULTRA-FAST 187 ASY REC 22-18 TPBR



TE Part #1-480700-0
03P UMNL PLUG HSG NATL



TE Part #350218-1
UMNL PIN 20-14 .0126PTPBR



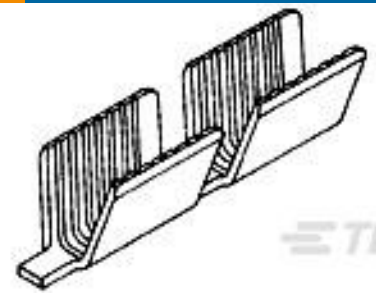
TE Part #2-322777-1
PIDG SPDFLG 22-16COMM22-18MIL6



TE Part #2-1571586-9
828-AG11D-LF=800 DIP,PCB,AU/SN



TE Part #1452408-1
2-NDRY F58 POS. CONNECTOR



TE Part #62001-1
SPLICE AMVAR 3000-7000 020BR



Documents

Product Drawings

BRUSH CONTACT 18-14 AWG PHBZ

English

CAD Files

3D PDF

3D

Customer View Model

[ENG_CVM_CVM_60812-1_M.2d_dxf.zip](#)

English

Customer View Model

[ENG_CVM_CVM_60812-1_M.3d_igs.zip](#)

English

Customer View Model

[ENG_CVM_CVM_60812-1_M.3d_stp.zip](#)

English

By downloading the CAD file I accept and agree to the [Terms and Conditions](#) of use.

Product Environmental Compliance

TE Material Declaration

English