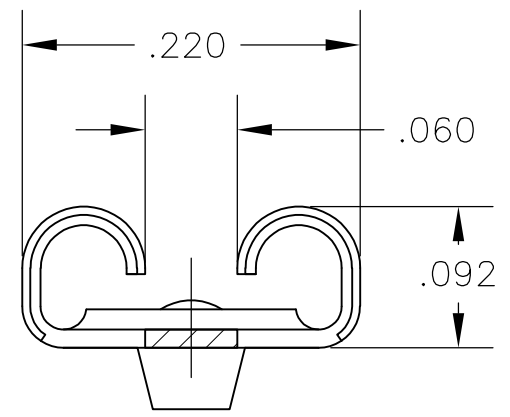
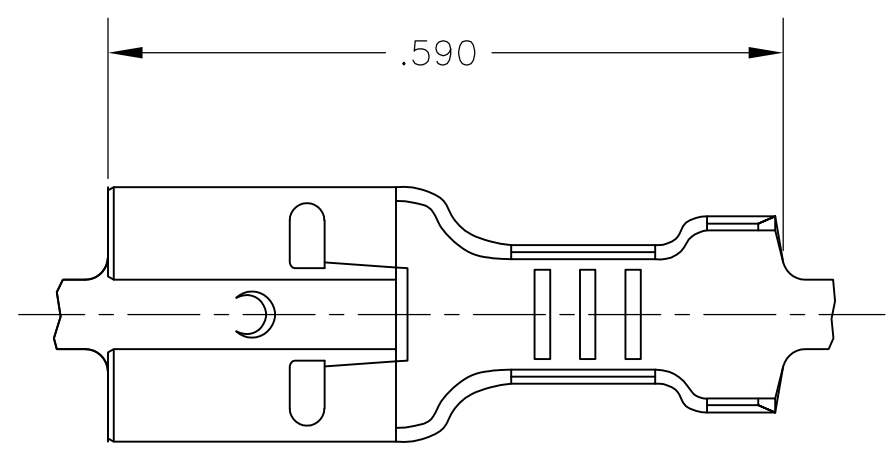
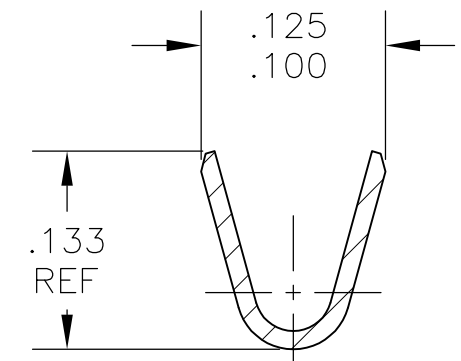
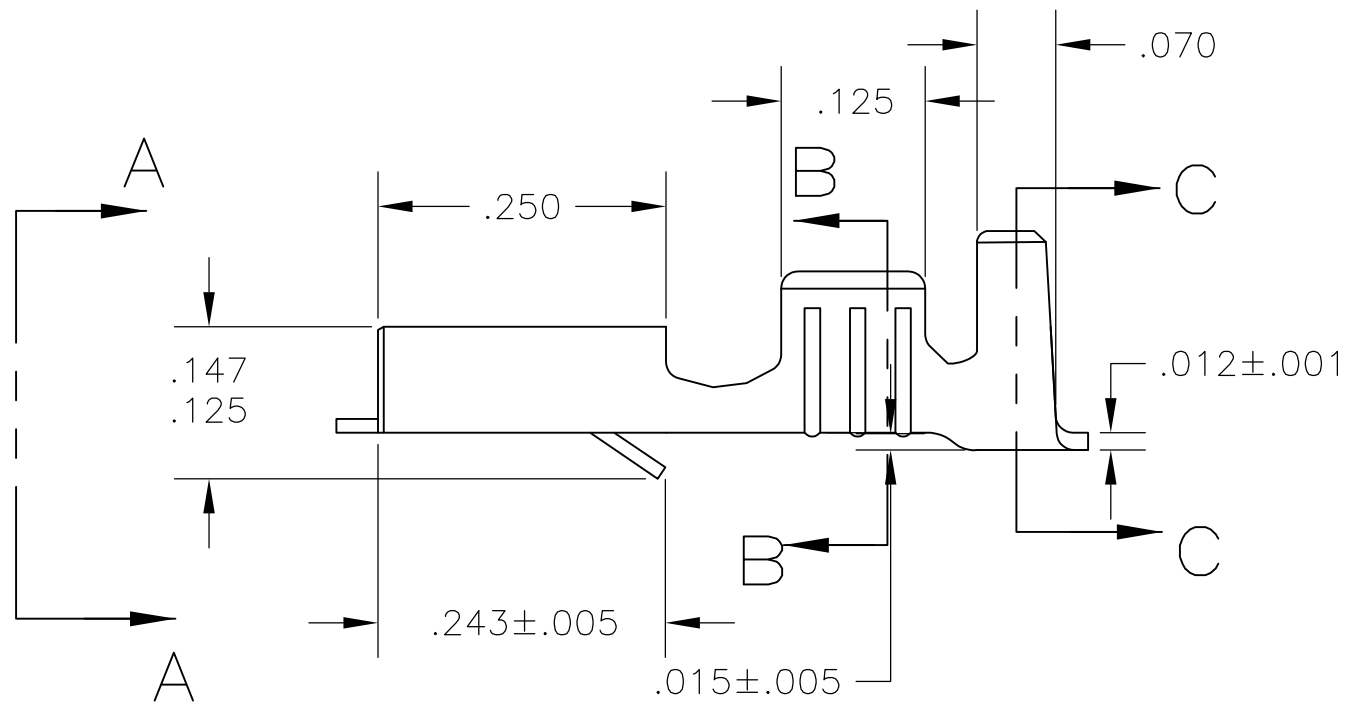


THIS DRAWING IS UNPUBLISHED. RELEASED FOR PUBLICATION  
 © COPYRIGHT - By - ALL RIGHTS RESERVED.

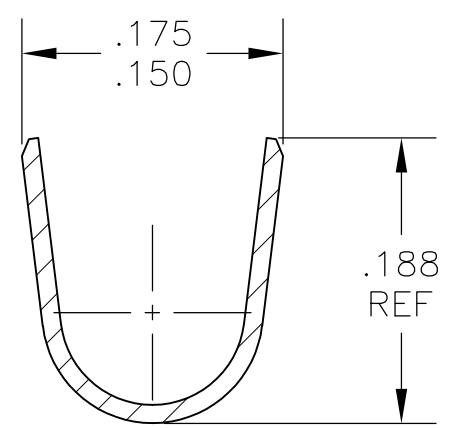
LOC	DIST	REVISIONS					
AF	50	P	LTR	DESCRIPTION	DATE	DWN	APVD
		L		REVISED PER ECR-13-004074	27AUG2013	KH	PD



VIEW A-A  
SCALE 8:1



SECTION B-B  
SCALE 8:1



SECTION C-C  
SCALE 8:1

- 1 CONTINUOUS STRIP ON REELS.
- 2 WIRE SIZE IS #22-#16 AWG
- 3 INSULATION RANGE IS .090-.130 DIA.
- 4 MATING TAB THK IS .032±.001

TIN	62802-2
-	62802-1
FINISH	PART NO.

THIS DRAWING IS A CONTROLLED DOCUMENT.		DWN	JR RUTH	10/31/89	<b>STE</b> TE Connectivity		
DIMENSIONS: INCHES		CHK	MS FEHER	10/31/89			
TOLERANCES UNLESS OTHERWISE SPECIFIED:		APVD	J GILLESPIE	2/20/90	NAME		
0 PLC ± -		PRODUCT SPEC		RECEPTACLE, FASTON-FASTON, .187 SERIES			
1 PLC ± -		APPLICATION SPEC		-			
2 PLC ± -		SIZE	A3	CAGE CODE	00779	DRAWING NO	C-62802
3 PLC ± .010		WEIGHT		-		RESTRICTED TO	-
4 PLC ± -		CUSTOMER DRAWING					
ANGLES ± -		SCALE	6:1		SHEET	1 OF 1	
FINISH		SEE TABLE		REV	L		
MATERIAL		BRASS					