

63397-1 ✓ ACTIVE

MAG-MATE

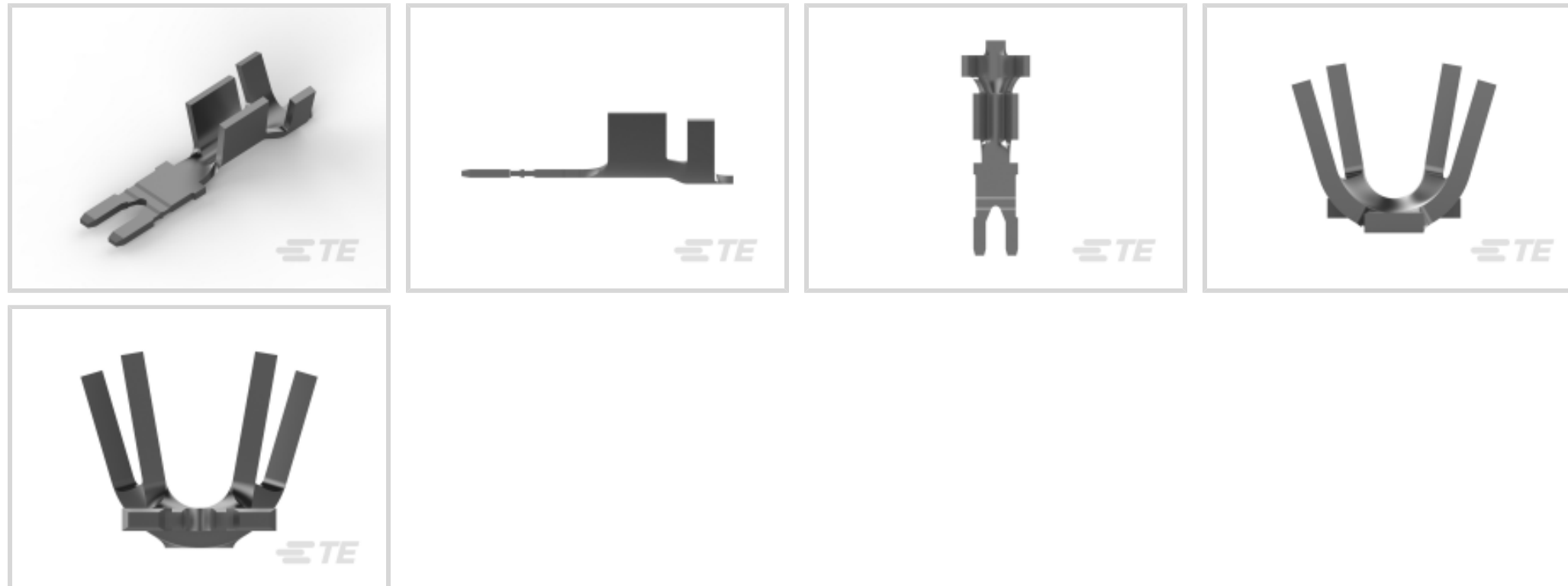
TE Internal #: 63397-1

Magnet Wire Terminals, Poke-In, Lead Wire Size 18 – 14 AWG,
Lead Wire Size .8 – 2 mm², Crimp / Insulation Displacement (IDC),
MAG-MATE

[View on TE.com >](#)



Terminals & Splices > Magnet Wire Terminals



Magnet Wire Terminal Type: **Poke-In**

Accepts Wire Insulation Diameter (Max): **3.56 mm [.14 in]**

Accepts Wire Insulation Diameter Range: **2.29 – 3.56 mm [.09 – .14 in]**

Lead Wire Size: **.8 – 2 mm²**

Features

Product Type Features

Shape Description	Poke-In Tab - D
Compatible With Discrete Wire Type	Lead Wire
Sealable	No

Configuration Features

Compatible With Wire & Cable Type	Discrete Wire
-----------------------------------	---------------

Contact Features

Magnet Wire Terminal Type	Poke-In
Terminal Plating Material	Tin
Terminal Orientation	Straight

Termination Features

Termination Method to Wire & Cable	Crimp, Insulation Displacement (IDC)
Crimp Area Length	3.68 mm [.145 in]

Mechanical Attachment

Wire Insulation Support	With
-------------------------	------

Dimensions

Terminal Height	7.11 mm[.28 in]
Accepts Wire Insulation Diameter (Max)	3.56 mm[.14 in]
Accepts Wire Insulation Diameter Range	2.29 – 3.56 mm[.09 – .14 in]
Lead Wire Size	.8 – 2 mm ²
Stock Thickness (Magnet Wire Side)	.51 mm[.02 in]
Overall Product Length	19.69 mm[.775 in]

Usage Conditions

Insulation Option	Uninsulated
-------------------	-------------

Operation/Application

Compatible With Wire Base Material	Copper
------------------------------------	--------

Packaging Features

Packaging Quantity	6500
Packaging Method	Reel, Reel/Carton

Other

Comment	Accepts stranded, fused stranded or solid lead wire., Part available upon special request.
---------	--

Product Compliance

[For compliance documentation, visit the product page on TE.com>](#)

EU RoHS Directive 2011/65/EU	Compliant
EU ELV Directive 2000/53/EC	Compliant
China RoHS 2 Directive MIIT Order No 32, 2016	No Restricted Materials Above Threshold
EU REACH Regulation (EC) No. 1907/2006	Current ECHA Candidate List: JUNE 2022 (224) Candidate List Declared Against: JAN 2022 (223) SVHC > Threshold: Not Yet Reviewed
Halogen Content	Low Halogen - Br, Cl, F, I < 900 ppm per homogenous material. Also BFR/CFR/PVC Free
Solder Process Capability	Not applicable for solder process capability

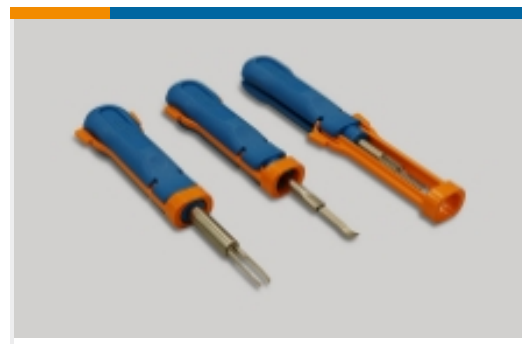
Product Compliance Disclaimer

This information is provided based on reasonable inquiry of our suppliers and represents our current actual knowledge based on the information they provided. This information is subject to change. The part numbers that TE has identified as EU RoHS compliant have a maximum concentration of 0.1% by weight in homogenous materials for lead, hexavalent chromium, mercury, PBB, PBDE, DBP, BBP, DEHP, DIBP, and 0.01% for cadmium, or qualify for an exemption to these limits as defined in the Annexes of Directive 2011/65/EU (RoHS2). Finished electrical and electronic equipment products will be CE marked as required by Directive 2011/65/EU. Components may not be CE marked. Additionally, the part numbers that TE has identified as EU ELV compliant have a maximum concentration of 0.1% by weight in homogenous materials for lead, hexavalent chromium, and mercury, and 0.01% for cadmium, or qualify for an exemption to these limits as defined in the Annexes of Directive 2000/53/EC (ELV). Regarding the REACH Regulation, the information TE provides on SVHC in articles for this part number is based on the latest European Chemicals Agency (ECHA) 'Guidance on requirements for substances in articles' posted at this URL: <https://echa.europa.eu/guidance-documents/guidance-on-reach>

Compatible Parts



Also in the Series | **MAG-MATE**



Insertion & Extraction Tools(8)



Magnet Wire Terminals(464)



PCB Terminals(1)

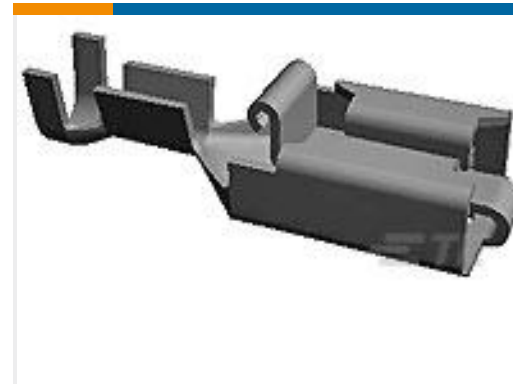
Customers Also Bought



TE Part #1-1703820-1
Heavy Duty Sealed Connector Series
Housings



TE Part #1-2176071-4
3521 470K 1% 2W



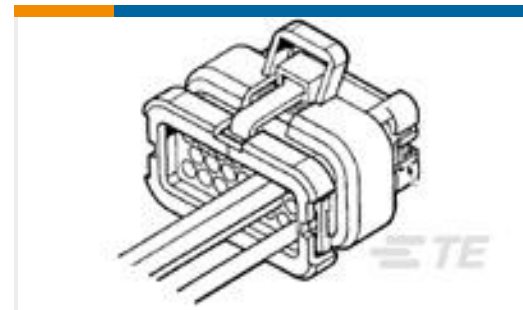
TE Part #160759-1
PL 250 TERMINAL REC 0.5-1.5 MM2 BR



TE Part #42068-1
110 FASTON REC 22-18 AWG TPBR



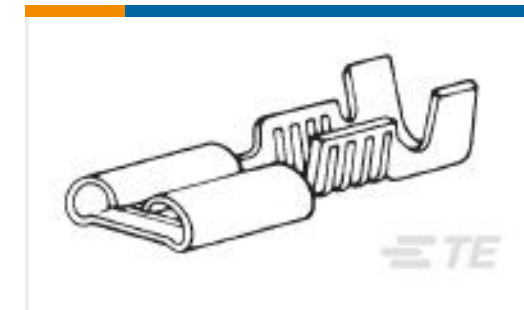
TE Part #1624144-2
23E 47KA 6.35X50FL B7 CAT



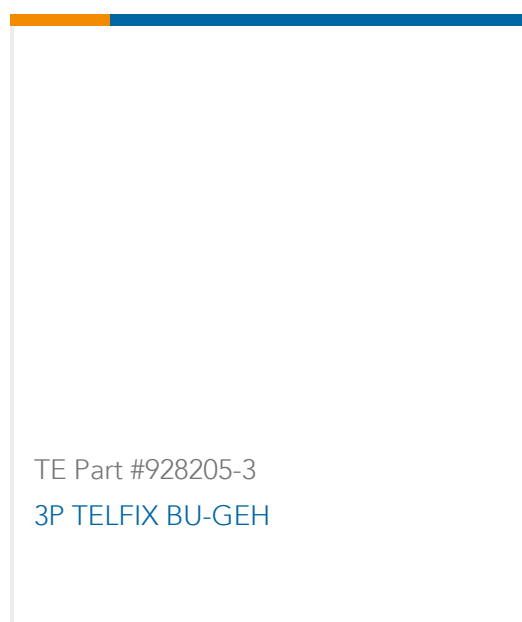
TE Part #776164-6
35POS,AMPSEAL,SOC HSG ASSY,SLD,
COD 6



TE Part #7-1393224-9
RY531012



TE Part #42710-2
205 FASTON REC 22-18 AWG TPBR



TE Part #928205-3
3P TELFIX BU-GEH

Documents

Product Drawings

[MAG-MATE POKE-IN TAB 0198 TPBR](#)

English

CAD Files

[3D PDF](#)

3D

[Customer View Model](#)

[ENG_CVM_CVM_63397-1_M.2d_dxf.zip](#)



English

Customer View Model

[ENG_CVM_CVM_63397-1_M.3d_igs.zip](#)

English

Customer View Model

[ENG_CVM_CVM_63397-1_M.3d_stp.zip](#)

English

By downloading the CAD file I accept and agree to the [Terms and Conditions](#) of use.

Datasheets & Catalog Pages

[Magnet Wire Terminals & Splices](#)

English

Product Specifications

[Application Specification](#)

English

Product Environmental Compliance

[Product Compliance](#)

English

[Product Compliance](#)

English

Agency Approvals

[VDE Certificate](#)

English