

61622-1 ✓ ACTIVE

AMP-IN

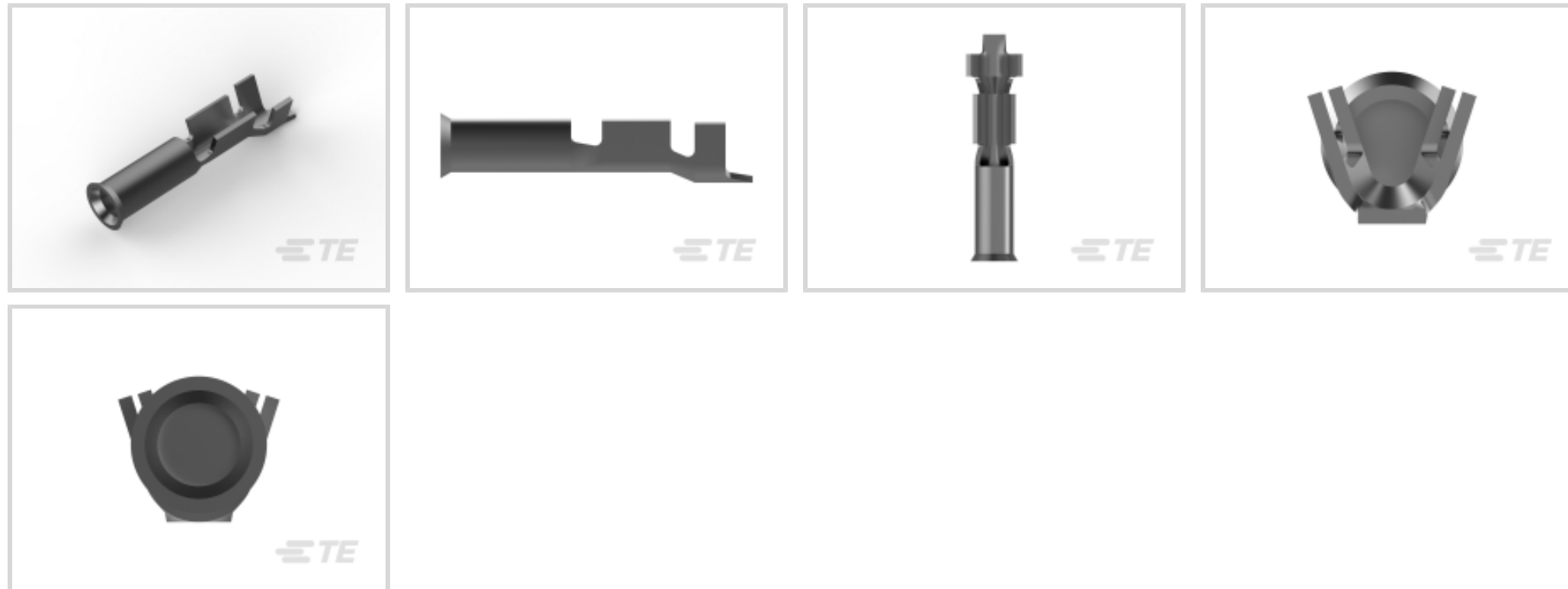
TE Internal #: 61622-1

Crimp Wire Pins, Tabs & Ferrules, Receptacle, Pin Diameter 1.14 mm [.045 in], 24 – 20 AWG Wire Size, .2 – .6 mm² Wire Size, 404 – 1021 CMA Wire Size

[View on TE.com >](#)



Terminals & Splices > Crimp Wire Pins, Tabs & Ferrules



Crimp Wire Pin, Tab & Ferrule Terminal Type: **Receptacle**

Pin Diameter: **1.14 mm [.045 in]**

Accepts Wire Insulation Diameter Range: **1.78 mm [.07 in]**

Wire Size: **.2 – .6 mm²**

Features

Product Type Features

Compatible With Discrete Wire Type	Stranded
Wire Insulation Support Retention Type	Insulation Support

Configuration Features

Strip Orientation	Side Feed
Compatible With Wire & Cable Type	Discrete Wire

Contact Features

Terminal Length	4.83 mm
Crimp Wire Pin, Tab & Ferrule Terminal Type	Receptacle
Barrel Type	Open
Terminal Plating Material	Tin
Pin Type	Square
Terminal Orientation	Straight

Mechanical Attachment

Wire Insulation Support	With
-------------------------	------



Dimensions

Pin Diameter	1.14 mm [.045 in]
Accepts Wire Insulation Diameter Range	1.78 mm [.07 in]
Wire Size	404 – 1021 CMA
Barrel Inside Diameter	.38 mm, .76 mm [.015 in] [.03 in]
Terminal Material Thickness	.25 mm [.01 in]
Overall Product Length	10.54 mm [.414 in]

Usage Conditions

Insulation Option	Uninsulated
Operating Temperature Range	-55 – 105 °C [-67 – 221 °F]

Operation/Application

Connects To	.045 in Square Pin, 1.14 mm Square Pin
Heavy Duty	No

Packaging Features

Packaging Method	Reel
------------------	------

Product Compliance

[For compliance documentation, visit the product page on TE.com>](#)

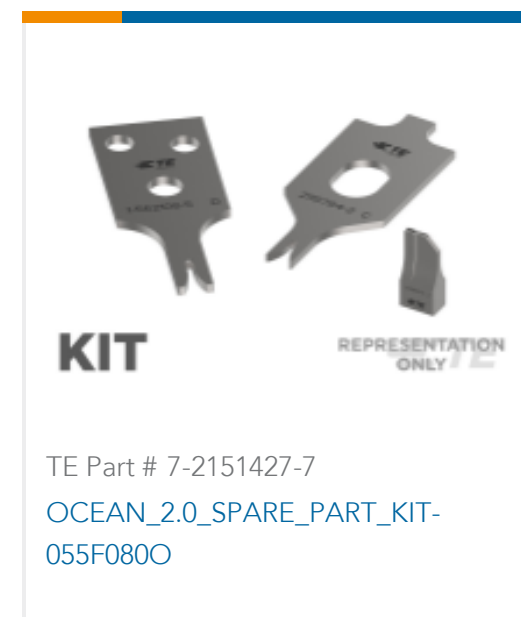
EU RoHS Directive 2011/65/EU	Compliant
EU ELV Directive 2000/53/EC	Compliant
China RoHS 2 Directive MIIT Order No 32, 2016	No Restricted Materials Above Threshold
EU REACH Regulation (EC) No. 1907/2006	Current ECHA Candidate List: JUNE 2022 (224) Candidate List Declared Against: JAN 2022 (223) SVHC > Threshold: Not Yet Reviewed
Halogen Content	Low Halogen - Br, Cl, F, I < 900 ppm per homogenous material. Also BFR/CFR/PVC Free
Solder Process Capability	Not applicable for solder process capability

Product Compliance Disclaimer

This information is provided based on reasonable inquiry of our suppliers and represents our current actual knowledge based on the information they provided. This information is subject to change. The part numbers that TE has identified as EU RoHS compliant have a maximum concentration of 0.1% by weight in homogenous materials for lead, hexavalent chromium, mercury, PBB, PBDE, DBP, BBP, DEHP, DIBP, and 0.01% for cadmium, or qualify for an exemption to these limits as defined in the Annexes of Directive 2011/65/EU (RoHS2). Finished electrical and electronic equipment products

will be CE marked as required by Directive 2011/65/EU. Components may not be CE marked. Additionally, the part numbers that TE has identified as EU ELV compliant have a maximum concentration of 0.1% by weight in homogenous materials for lead, hexavalent chromium, and mercury, and 0.01% for cadmium, or qualify for an exemption to these limits as defined in the Annexes of Directive 2000/53/EC (ELV). Regarding the REACH Regulation, the information TE provides on SVHC in articles for this part number is based on the latest European Chemicals Agency (ECHA) 'Guidance on requirements for substances in articles' posted at this URL: <https://echa.europa.eu/guidance-documents/guidance-on-reach>

Compatible Parts



Customers Also Bought





Documents

Product Drawings

[045SQ POST REC 24-20 010PTPBR](#)

English

CAD Files

[3D PDF](#)

3D

Customer View Model

[ENG_CVM_CVM_61622-1_L_c-61622-1-l.2d_dxf.zip](#)

English

Customer View Model

[ENG_CVM_CVM_61622-1_L_c-61622-1-l.3d_igs.zip](#)

English

Customer View Model

[ENG_CVM_CVM_61622-1_L_c-61622-1-l.3d_stp.zip](#)

English

By downloading the CAD file I accept and agree to the [Terms and Conditions](#) of use.

Product Specifications

[Application Specification](#)

English

Product Environmental Compliance

[MD_61622-1_01102017921_dmtec](#)

English

[MD_61622-1_01102017921_dmtec](#)

English