

62759-1 ✓ ACTIVE



SPLICE

TE Internal #: 62759-1

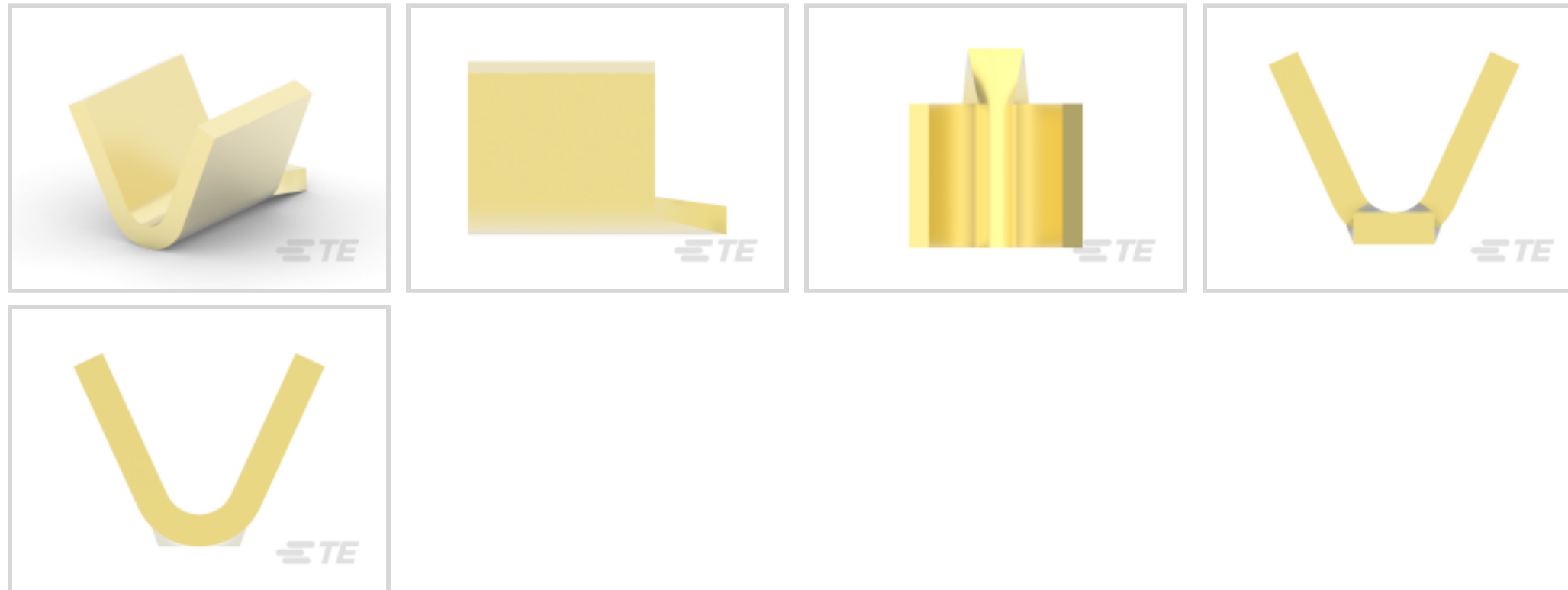
Splices, 24 – 18.5 AWG Wire Size, .2 – .6 mm² Wire Size, 400 – 1300

CMA Wire Size, Brass, Pigtail Splice / Thru Splice Splice, Serrated,

SPLICE

[View on TE.com >](#)

Terminals & Splices > Splices



Wire Size: 400 – 1300 CMA

Sealable: No

Primary Product Material: Brass

Features

Product Type Features

Barrel Style	Standard
Sealable	No
Splice Type	Pigtail Splice, Thru Splice
Serrated	Yes
Compatible With Discrete Wire Type	Solid, Stranded
Wire Insulation Support Retention Type	Non-Insulation Support

Configuration Features

Number of Serrations	2
Compatible With Wire & Cable Type	Discrete Wire

Body Features

Weight per Piece	.04 g
Plating Material	Unplated
Primary Product Material	Brass

Contact Features

Barrel Type	Open
-------------	------



Mechanical Attachment

Wire Insulation Support	Without
-------------------------	---------

Dimensions

Wire Size	400 – 1300 CMA
Terminal Material Thickness	.41 mm[.016 in]
Overall Product Length	2.6 mm[.102 in]

Usage Conditions

Insulation Option	Uninsulated
Operating Temperature Range	-40 – 110 °C[-40 – 230 °F]

Operation/Application

Heavy Duty	No
Compatible With Wire Base Material	Copper

Industry Standards

Government Qualified Splice	No
-----------------------------	----

Packaging Features

Packaging Quantity	20000
Packaging Method	Reel

Product Compliance

[For compliance documentation, visit the product page on TE.com>](#)

EU RoHS Directive 2011/65/EU	Compliant
EU ELV Directive 2000/53/EC	Compliant
China RoHS 2 Directive MIIT Order No 32, 2016	No Restricted Materials Above Threshold
EU REACH Regulation (EC) No. 1907/2006	Current ECHA Candidate List: JUNE 2022 (224) Candidate List Declared Against: JAN 2022 (223) SVHC > Threshold: Not Yet Reviewed
Halogen Content	Low Halogen - Br, Cl, F, I < 900 ppm per homogenous material. Also BFR/CFR/PVC Free
Solder Process Capability	Not applicable for solder process capability

Product Compliance Disclaimer

This information is provided based on reasonable inquiry of our suppliers and represents our current actual knowledge based on the information they provided. This information is subject to change. The part numbers that TE has identified as EU RoHS compliant have a maximum concentration of 0.1% by weight in homogenous materials for lead, hexavalent chromium, mercury, PBB, PBDE, DBP, BBP, DEHP, DIBP, and 0.01% for cadmium, or qualify for an exemption to these limits as defined in the Annexes of Directive 2011/65/EU (RoHS2). Finished electrical and electronic equipment products will be CE marked as required by Directive 2011/65/EU. Components may not be CE marked. Additionally, the part numbers that TE has identified as EU ELV compliant have a maximum concentration of 0.1% by weight in homogenous materials for lead, hexavalent chromium, and mercury, and 0.01% for cadmium, or qualify for an exemption to these limits as defined in the Annexes of Directive 2000/53/EC (ELV). Regarding the REACH Regulation, the information TE provides on SVHC in articles for this part number is based on the latest European Chemicals Agency (ECHA) 'Guidance on requirements for substances in articles' posted at this URL: <https://echa.europa.eu/guidance-documents/guidance-on-reach>

Compatible Parts



Also in the Series | **SPLICE**



Crimp Wire Pins, Tabs & Ferrules(1)



Splices(65)

Customers Also Bought



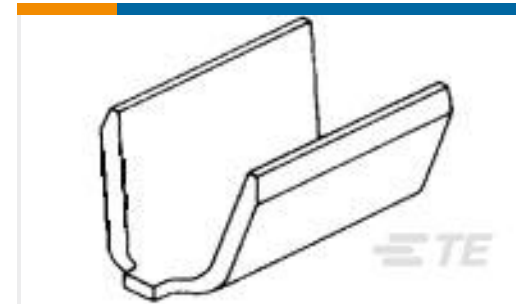
TE Part #1775441-2
EMIX CONN., 1.5MM PITCH, RCPT,
HSG, 2P



TE Part #350509-1
RING 22-16 AWG BR



TE Part #60372-1
SPLICE 1200-2600 .020 BR



TE Part #62357-1
SPLICE 7400-10000 .025 BR



TE Part #7-1676481-8
CPF 0603 12K 0.1% 25PPM 1K RL



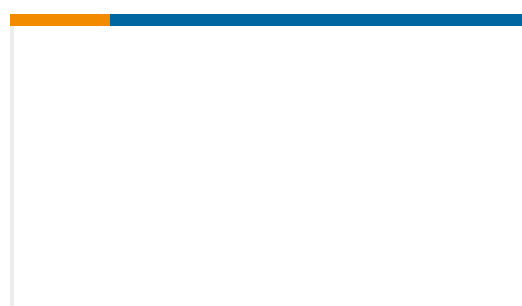
TE Part #354069-1
ASSY, PLATE, FORCE, SENSOR



TE Part #354025-1
YOKE, ADJUSTER



TE Part #354381-1
SENSOR CABLE ASSY



TE Part #768690-2
ANVIL, WIRE



TE Part #853498-1
MAGNET ASSY

Documents

Product Drawings

[SPLICE 400-1300 .016 BR](#)

English

CAD Files

[3D PDF](#)

3D

Customer View Model

[ENG_CVM_CVM_62759-1_U_c-62759-1-u.2d_dxf.zip](#)



English

Customer View Model

[ENG_CVM_CVM_62759-1_U_c-62759-1-u.3d_igs.zip](#)

English

Customer View Model

[ENG_CVM_CVM_62759-1_U_c-62759-1-u.3d_stp.zip](#)

English

By downloading the CAD file I accept and agree to the [Terms and Conditions](#) of use.

Product Specifications

Application Specification

English

Product Environmental Compliance

[MD_62759-1_02072018733_dmtec](#)

English

[MD_62759-1_02072018733_dmtec](#)

English

Agency Approvals

CSA Certificate

English