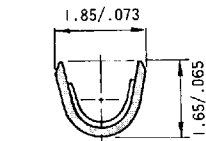


SERIES

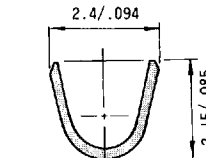
8263

RECEPTACLE

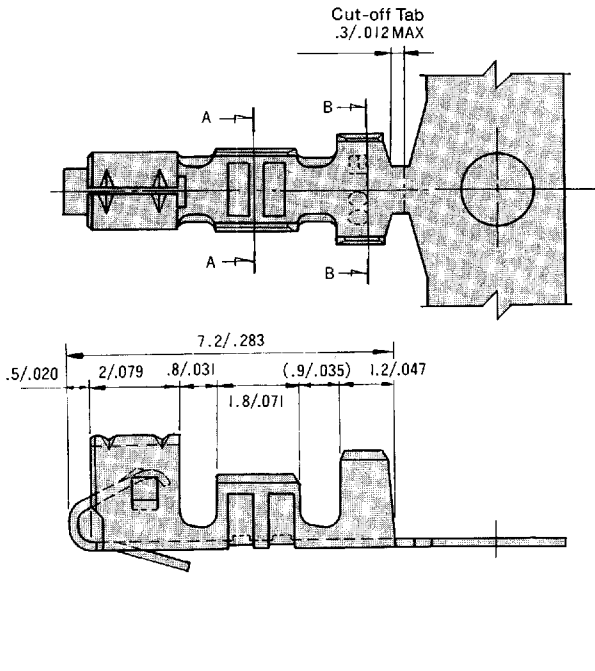
Receptacle Contacts



Cross section A-A



Cross section B-B



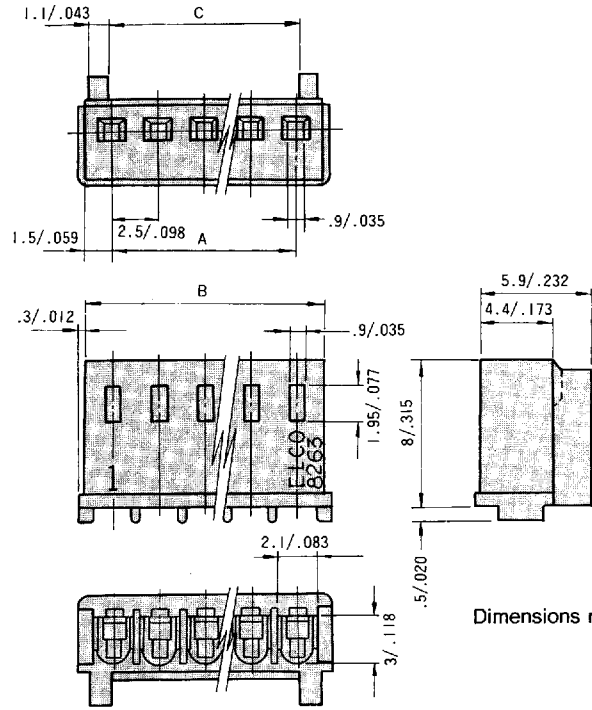
Type	Part Number
Loose	60 8263 0513 00 808
Reel	60 8263 0523 99 808
	1 reel = 10,000

Wire Size: AWG #22-#28
Insulation Diameter: 1.7/.067max

Receptacle Housing

No. of position	A	B	C
2	2.5/.098	5.5/.217	2.8/.110
3	5.0/.197	8.0/.315	5.3/.209
4	7.5/.295	10.5/.413	7.8/.307
5	10.0/.394	13.0/.512	10.3/.406
6	12.5/.492	15.5/.610	12.8/.504
7	15.0/.591	18.0/.709	15.3/.602
8	17.5/.689	20.5/.807	17.8/.701
9	20.0/.787	23.0/.906	20.3/.799
10	22.5/.886	25.5/1.004	22.8/.898
11	25.0/.984	28.0/1.102	25.3/.996
12	27.5/1.083	30.5/1.201	27.8/1.094
13	30.0/1.181	33.0/1.300	30.3/1.193
14	32.5/1.280	35.5/1.398	32.8/1.291
15	35.0/1.378	38.0/1.496	35.3/1.390

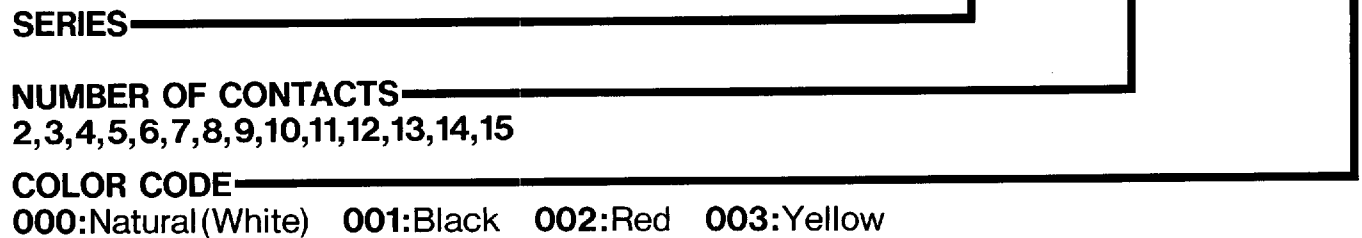
A = 2.5 × (No. of position - 1) / .0984 × (No. of position - 1)
 B = 2.5 × (No. of position - 1) + 3 / .0984 × (No. of position - 1) + .118
 C = 2.5 × (No. of position - 1) + 3 / .0984 × (No. of position - 1) + .0118



Dimensions mm/inches

Ordering Code

Typical Example **60 8263 3028 15 000**



NUMBER OF CONTACTS
2,3,4,5,6,7,8,9,10,11,12,13,14,15

COLOR CODE
000:Natural (White) 001:Black 002:Red 003:Yellow

Features

- Its 2.5mm/.098inches spacing and low profile enable higher density application.
- Six point contact construction prevents fretting corrosion which easily occurs on tin-plated products and assure high contact reliability.
- Anti-overstress lance of receptacle contact prevents permanent spring deformation due to prying stress.
- Various features have been provided for improvement of wire terminating operation. Kinking operation is made on plug-assembly to prevent floating. Stopper bead is provided to prevent wafer floating. Stopper bead is provided to prevent wafer from rising. Locking lance is provided on receptacle contact to increase retention force.

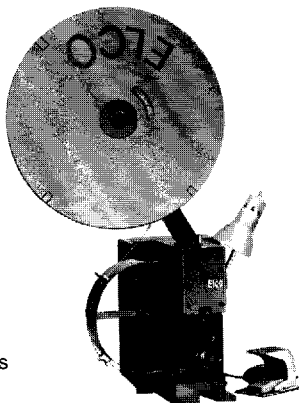
Specifications

Number of Position: 2-15 position
Contact Spacing: 2.5mm/.098"
Height on PC Board: 6.9mm/.272"(Right Angle)
 :10.5mm/.413"(Straight)
Wire Size: AWG #22-#28
Current Rating: 3A maximum
Voltage Rating: 250V maximum
Dielectric Withstanding Voltage: 1000Vrms
 /min at sea level
Contact Material: Pre-tinned Phosphor Bronze
Post Material: Brass, Plating - Tin/Lead over Copper

Housing Wafer Material: Nylon 66 per UL 94V-0
Housing Wafer Color: Natural (White), Black,
 Red and Yellow
UL FILE NO. E67646

Customer Application Tooling

Semi-Automatic Crimping Machine

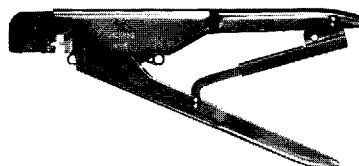


Specifications

Part Number

Press Machine	36-1004-001
Applicator	36-1000-001
Press Capacity	2 tons
Dimensions	W550×H700×D380/ W21.65×H27.55×D14.96
Weight	85kg/187lbs
Power	AC110V 50/60Hz

Contact Crimping Pliers



Specifications

Part Number

06-1001-001	
Wire Size(Tensile Strength)	AWG22(4kg/8.8 lbs min) AWG24(3kg/6.6 lbs min) AWG26(2kg/4.4 lbs min) AWG28(1kg/2.2 lbs min)

*Drawings shown are for reference only. For precise calculations, assembly drawings are available. Specifications are subject to change without notice.

Printed in Japan 1993-10-27-S



KYOCERA ELCO CORPORATION

1794 Nippa-cho, Kohoku-ku
 Yokohama 223, Japan
 Phone:045-543-7185 Fax:045-545-1499

ELCO U.S.A.

Huntingdon Industrial Park Huntingdon, PA 16652 U.S.A.
 Tel.1-800-853-ELCO(3526) Tel.814-643-0700 Fax.814-643-0426

ELCO EUROPE GmbH

European Headquarters Benjamin-Fox-Strasse 1 D-5240
 Betzdorf Germany
 Tel.49-2741-2990 Fax.49-2741-299299

ELCO EUROPE LTD.

Exning Road P.O. Box 19 Newmarket, Suffolk England, CB80BB
 Tel.44-638-664514 Fax.44-638-661233 Telex.81519

ELCO HONG KONG LTD.

Piagga Industrial Bldg,14/F, 13 Hoi BUN RD, KWVN Tong, Kowloon, H.K.
 Tel.852-342-4395 Fax.852-343-2472

ELCO KOREA. LTD.

183-1 Kuro 3-Dong Kuro-ku, Seoul, Korea
 Tel.82-2-868-0147 Fax.82-2-868-6600

ELCO S.E. ASIA PTE., LTD.

39A Jalan Pemimpin #02-00 TAL Bldg., Singapore 2057
 Tel.65-353-8312 Fax.65-353-8315

AVX-Kyocera ASIA. LTD.

39A Jalan Pemimpin #07-00 TAL Bldg., Singapore 2057
 Tel.65-258-2833 Fax.65-258-8221