



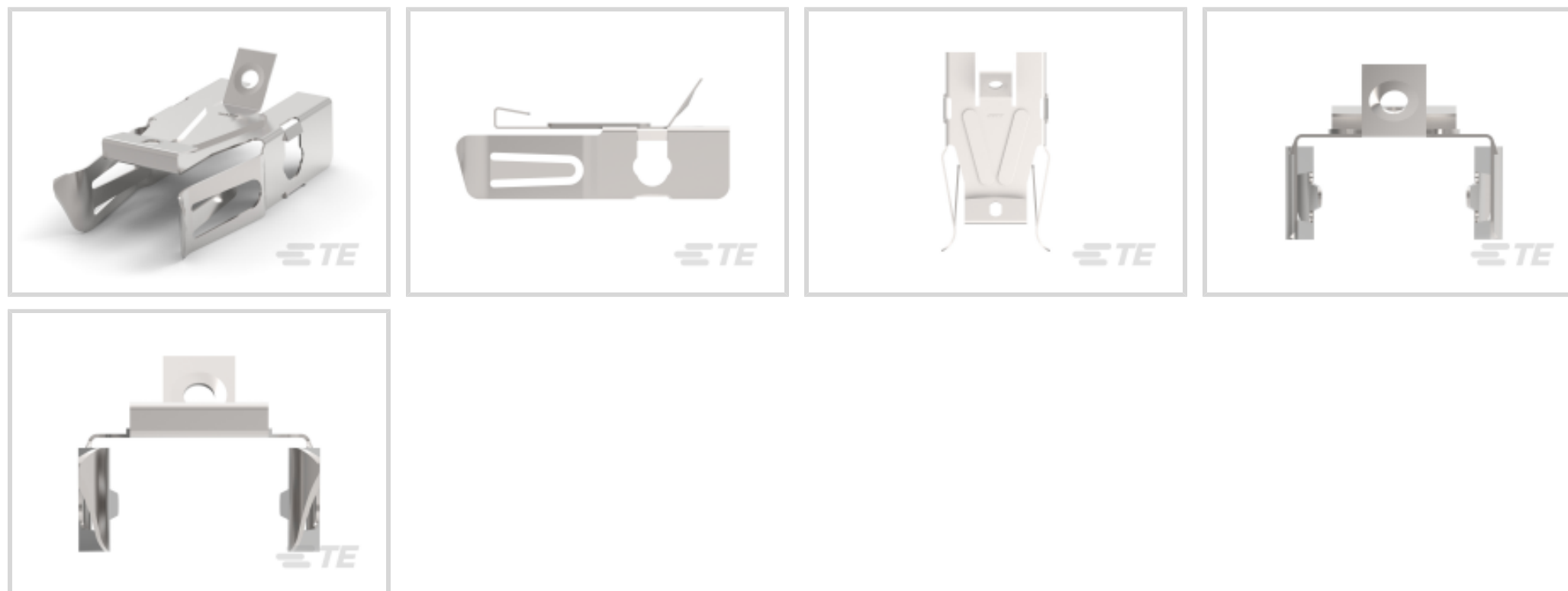
Appliance Connectors

TE Internal #: 640750-1

Special Purpose Terminals, Heavy Duty, Unplated Plating, Reel, Uninsulated, -40 – 356 °F [-40 – 200 °C], Appliance Connectors

[View on TE.com >](#)

Terminals & Splices > Special Purpose Terminals



Heavy Duty: **Yes**

Terminal Material Thickness: **.51 mm [.02 in]**

Terminal Plating Material: **Unplated**

Packaging Method: **Reel**

Wire Insulation Support: **Without**

Features

Product Type Features

Sealable	No
----------	----

Contact Features

Terminal Plating Material	Unplated
---------------------------	----------

Mechanical Attachment

Wire Insulation Support	Without
-------------------------	---------

Dimensions

Terminal Material Thickness	.51 mm [.02 in]
-----------------------------	-----------------

Usage Conditions

Insulation Option	Uninsulated
Operating Temperature Range	-40 – 200 °C [-40 – 356 °F]

Operation/Application

Heavy Duty	Yes
------------	-----

Packaging Features

Packaging Quantity	1000
--------------------	------

Packaging Method

Reel

Product Compliance

For compliance documentation, visit the product page on [TE.com](#)>

EU RoHS Directive 2011/65/EU

Compliant

EU ELV Directive 2000/53/EC

Compliant

China RoHS 2 Directive MIIT Order No 32, 2016

No Restricted Materials Above Threshold

EU REACH Regulation (EC) No. 1907/2006

Current ECHA Candidate List: JUNE 2022 (224)
 Candidate List Declared Against: JAN 2022 (223)
 SVHC > Threshold:
 Not Yet Reviewed

Halogen Content

Low Halogen - Br, Cl, F, I < 900 ppm per homogenous material. Also BFR/CFR/PVC Free

Solder Process Capability

Not applicable for solder process capability

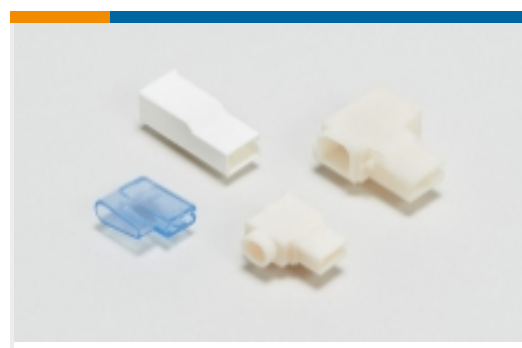
Product Compliance Disclaimer

This information is provided based on reasonable inquiry of our suppliers and represents our current actual knowledge based on the information they provided. This information is subject to change. The part numbers that TE has identified as EU RoHS compliant have a maximum concentration of 0.1% by weight in homogenous materials for lead, hexavalent chromium, mercury, PBB, PBDE, DBP, BBP, DEHP, DIBP, and 0.01% for cadmium, or qualify for an exemption to these limits as defined in the Annexes of Directive 2011/65/EU (RoHS2). Finished electrical and electronic equipment products will be CE marked as required by Directive 2011/65/EU. Components may not be CE marked. Additionally, the part numbers that TE has identified as EU ELV compliant have a maximum concentration of 0.1% by weight in homogenous materials for lead, hexavalent chromium, and mercury, and 0.01% for cadmium, or qualify for an exemption to these limits as defined in the Annexes of Directive 2000/53/EC (ELV). Regarding the REACH Regulation, the information TE provides on SVHC in articles for this part number is based on the latest European Chemicals Agency (ECHA) 'Guidance on requirements for substances in articles' posted at this URL: <https://echa.europa.eu/guidance-documents/guidance-on-reach>

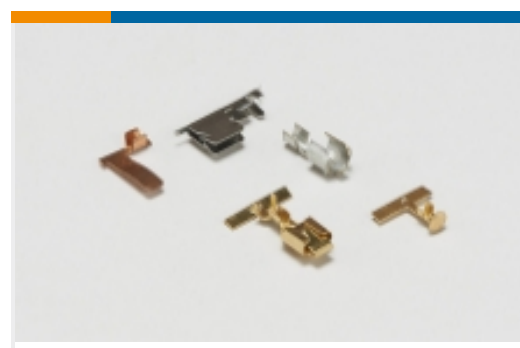
Compatible Parts



Also in the Series | [Appliance Connectors](#)



Crimp Terminal Housings(1)



Special Purpose Terminals(9)

Customers Also Bought



TE Part #1-1971875-3
PTL 3X3 CAP PANEL MT STD TEMP
KEY A NAT



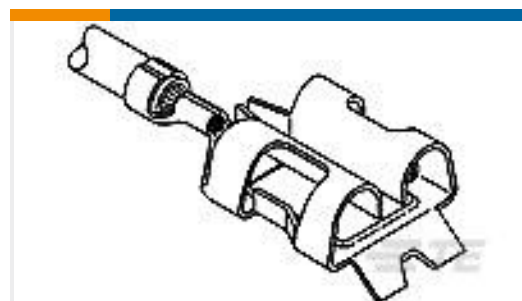
TE Part #350570-3
UMNL SOK 24-18 PTPPHBZ



TE Part #42486-1
187 FASTON FLAG REC 20-16 AWG
BR



TE Part #62817-1
187 FASTON FLAG REC 20-16 AWG
BR



TE Part #640748-7
HEAVY DUTY BURNER REC 18-14
AWG PHBRZ



TE Part #1-1971776-3
PTL 2X3 PLUG HSG STD TEMP KEY A
NAT



TE Part #2150008-1
OCEAN_2.0_Applicator-E-130F180F



TE Part #1969726-1
2P HEAVY DUTY BURNER HSG

Documents

Product Drawings

HEAVY DUTY BURNER CLIP ST

English

CAD Files

3D PDF

3D

Customer View Model

[ENG_CVM_CVM_640750-1_AP.2d_dxf.zip](#)

English

Customer View Model

[ENG_CVM_CVM_640750-1_AP.3d_igs.zip](#)

English

Customer View Model

[ENG_CVM_CVM_640750-1_AP.3d_stp.zip](#)

English

By downloading the CAD file I accept and agree to the [Terms and Conditions](#) of use.



Product Specifications

Application Specification

English

Product Environmental Compliance

MD_640750-1_09122017927_dmtec

English

MD_640750-1_09122017927_dmtec

English

Agency Approvals

UL Report

English