

61960-1 ✓ ACTIVE

FASTON | FASTON 187

TE Internal #: 61960-1

Quick Disconnects, Tab, Mating Tab Width .187 in [4.75 mm],
Straight, Steel, Nickel Plating, Loose Piece/Carton, F-Crimp, Open,
FASTON 187

[View on TE.com >](#)



Terminals & Splices > Quick Disconnects



Quick Disconnect Terminal Type: **Tab**

Mating Tab Width: **4.75 mm [.187 in]**

Mating Tab Thickness: **.51 mm [.02 in]**

Terminal Orientation: **Straight**

Contact Base Material: **Steel**

Features

Product Type Features

Terminates To	Wire & Cable
Wire Stop	No
Wire/Cable Type	Regular Wire
Sealable	No

Configuration Features

Connection Capacity	Single
---------------------	--------

Contact Features

Quick Disconnect Terminal Type	Tab
Mating Tab Width	4.75 mm[.187 in]
Mating Tab Thickness	.51 mm[.02 in]
Terminal Orientation	Straight
Contact Base Material	Steel
Terminal Plating Material	Nickel
Crimp Type	F-Crimp



Barrel Type	Open
-------------	------

Mechanical Attachment

Mating Retention Type	Hole
Wire Insulation Support	Without

Dimensions

Overall Length	10.41 mm[.41 in]
Receptacle Terminal Stock Thickness	.51 mm[.02 in]

Usage Conditions

Insulation Option	Uninsulated
Operating Temperature Range	-40 – 250 °C[-40 – 482 °F]

Industry Standards

UL Rating	Recognized
CSA Certified	Yes

Packaging Features

Packaging Quantity	1000
Packaging Method	Loose Piece/Carton

Other

Comment	Weld tab, bent 45°
---------	--------------------

Product Compliance

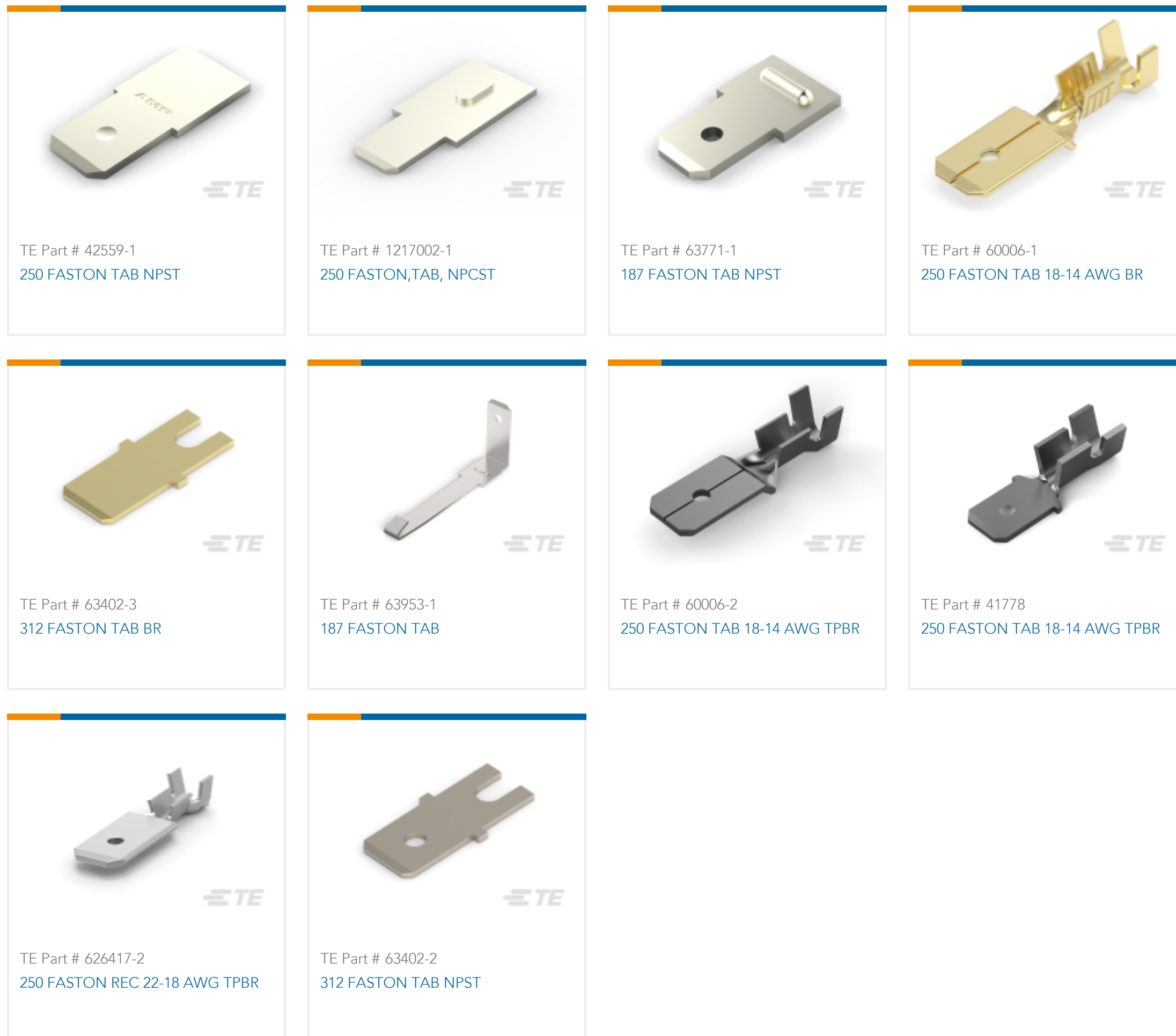
[For compliance documentation, visit the product page on TE.com>](#)

EU RoHS Directive 2011/65/EU	Compliant
EU ELV Directive 2000/53/EC	Compliant
China RoHS 2 Directive MIIT Order No 32, 2016	No Restricted Materials Above Threshold
EU REACH Regulation (EC) No. 1907/2006	Current ECHA Candidate List: JUNE 2022 (224) Candidate List Declared Against: JAN 2022 (223) SVHC > Threshold: Not Yet Reviewed
Halogen Content	Low Halogen - Br, Cl, F, I < 900 ppm per homogenous material. Also BFR/CFR/PVC Free
Solder Process Capability	Not applicable for solder process capability

Product Compliance Disclaimer

This information is provided based on reasonable inquiry of our suppliers and represents our current actual knowledge based on the information they provided. This information is subject to change. The part numbers that TE has identified as EU RoHS compliant have a maximum concentration of 0.1% by weight in homogenous materials for lead, hexavalent chromium, mercury, PBB, PBDE, DBP, BBP, DEHP, DIBP, and 0.01% for cadmium, or qualify for an exemption to these limits as defined in the Annexes of Directive 2011/65/EU (RoHS2). Finished electrical and electronic equipment products will be CE marked as required by Directive 2011/65/EU. Components may not be CE marked. Additionally, the part numbers that TE has identified as EU ELV compliant have a maximum concentration of 0.1% by weight in homogenous materials for lead, hexavalent chromium, and mercury, and 0.01% for cadmium, or qualify for an exemption to these limits as defined in the Annexes of Directive 2000/53/EC (ELV). Regarding the REACH Regulation, the information TE provides on SVHC in articles for this part number is based on the latest European Chemicals Agency (ECHA) 'Guidance on requirements for substances in articles' posted at this URL: <https://echa.europa.eu/guidance-documents/guidance-on-reach>

Compatible Parts

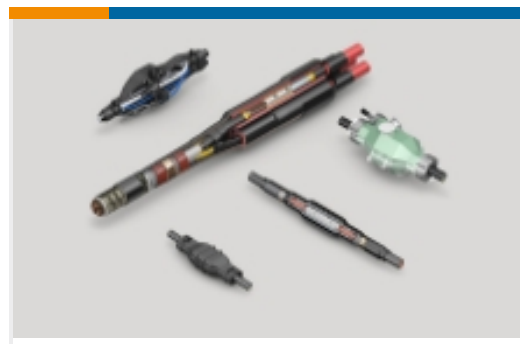
Also in the Series | **FASTON 187**



Crimp Terminal Housings(41)



Insertion & Extraction Tools(1)



Joints & Splices(1)



PCB Terminals(48)



Quick Disconnects(214)

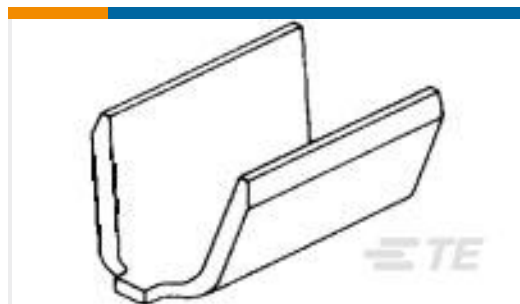


Splices(1)

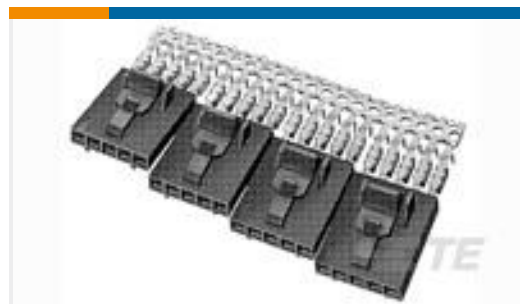
Customers Also Bought



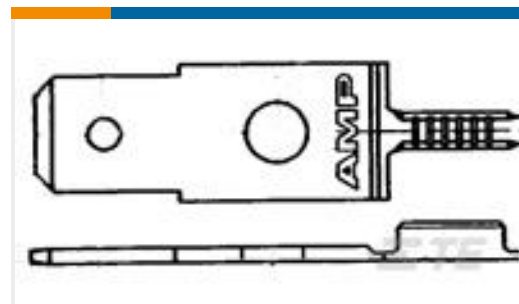
TE Part #42511-1
250 FASTON FLAG REC 18-12 AWG BR



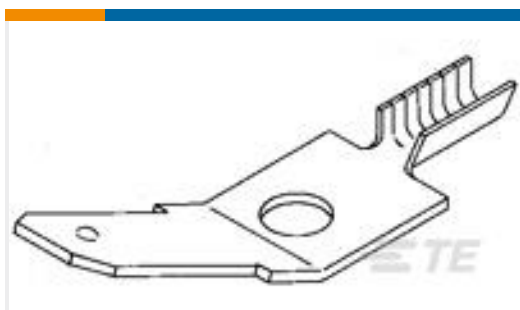
TE Part #42329-1
SPLICE 1200-2600 .012 NPST



TE Part #1-103957-4
5X4 MTE RCPT SR LATCH .100CL



TE Part #63483-1
FAST,AMPLIVAR .250 TAB 200-566 CMA TPBR



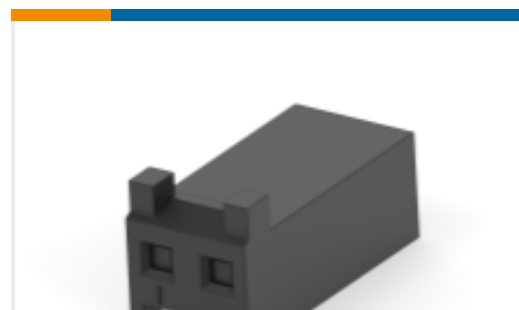
TE Part #63136-1
250 AMVAR TAB 200-860 TPBR



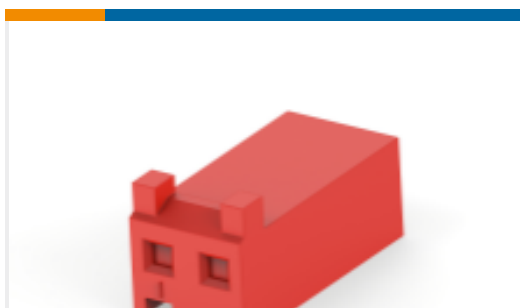
TE Part #1-459736-7
CRIMPER WIRE "F" SPLICE TYPE



TE Part #7-2150403-7
OCEAN_2.0_SPARE_PART_KIT-090F120F



TE Part #3-770849-2
02P SL156 HSG W/LCK RMP & TABS BLACK



TE Part #5-770849-2
02P SL156 HSG W/LCK RMP & TABS RED



TE Part #NB16564001
RW-175-3/32-X-SP

Documents



Product Drawings

187 FASTON TAB NPST

English

CAD Files

3D PDF

3D

Customer View Model

[ENG_CVM_CVM_61960-1_J.2d_dxf.zip](#)

English

Customer View Model

[ENG_CVM_CVM_61960-1_J.3d_igs.zip](#)

English

Customer View Model

[ENG_CVM_CVM_61960-1_J.3d_stp.zip](#)

English

By downloading the CAD file I accept and agree to the [Terms and Conditions](#) of use.

Datasheets & Catalog Pages

FASTON Tabs

English

Product Specifications

Application Specification

English

Product Environmental Compliance

TE Material Declaration

English