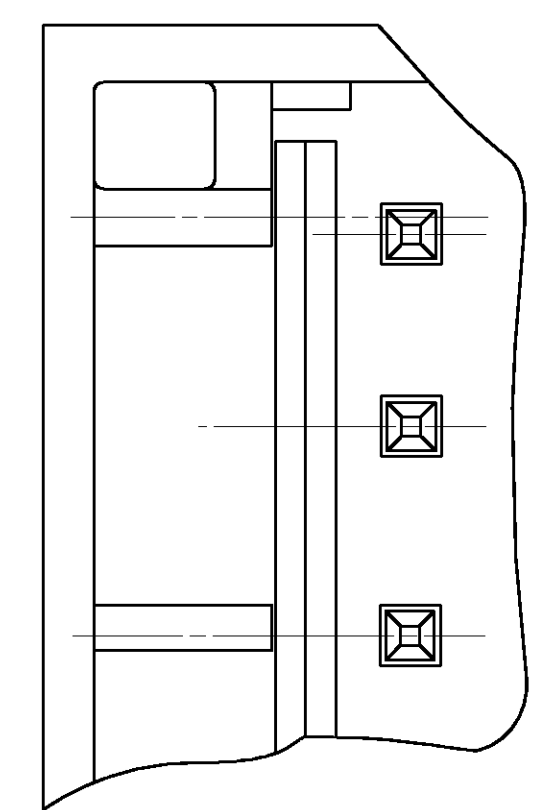
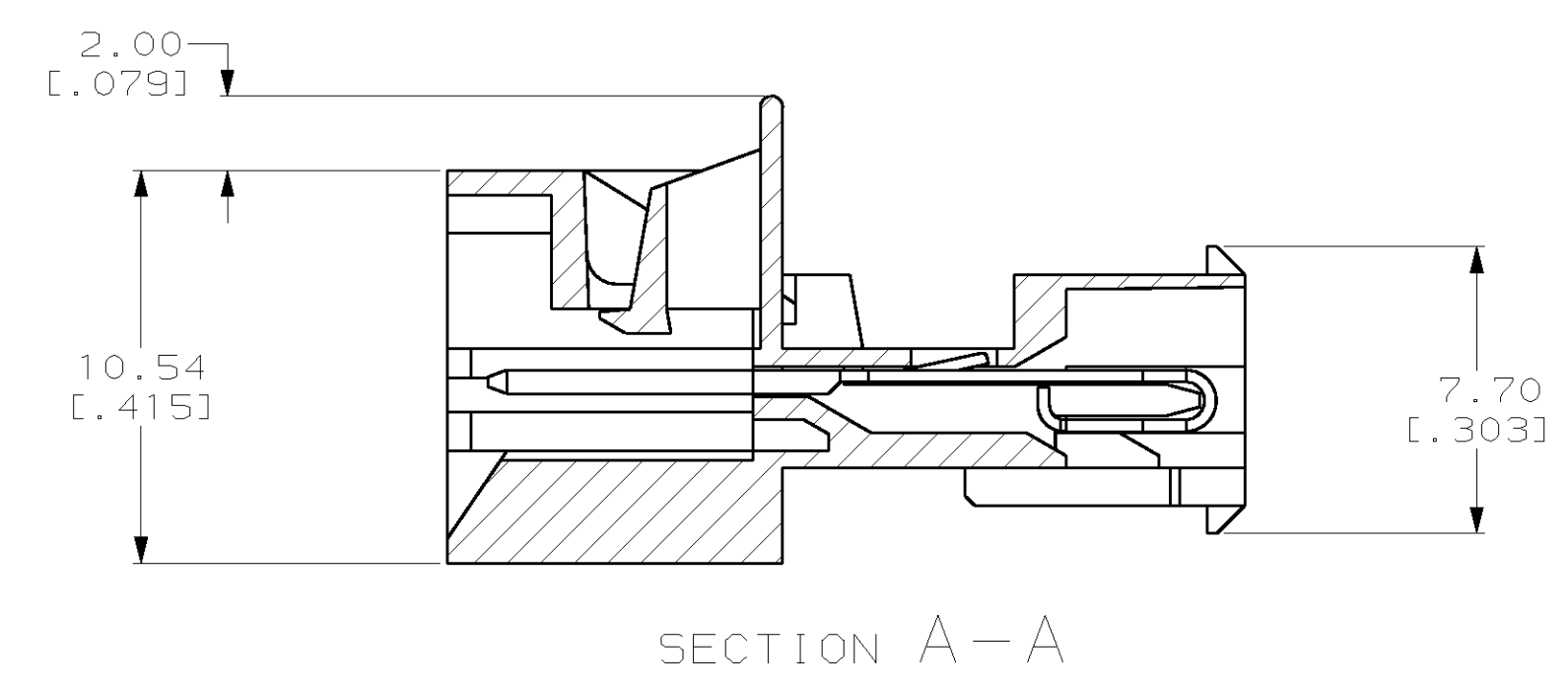
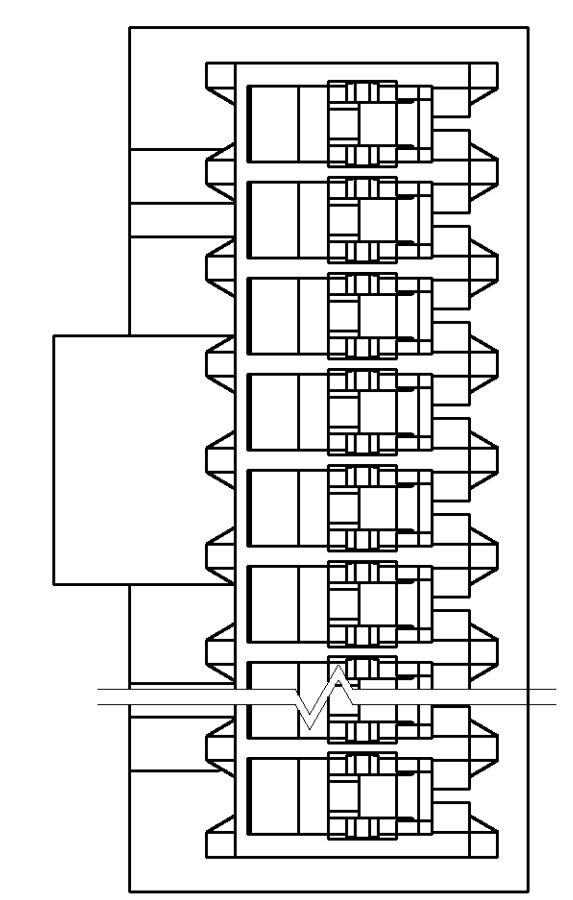
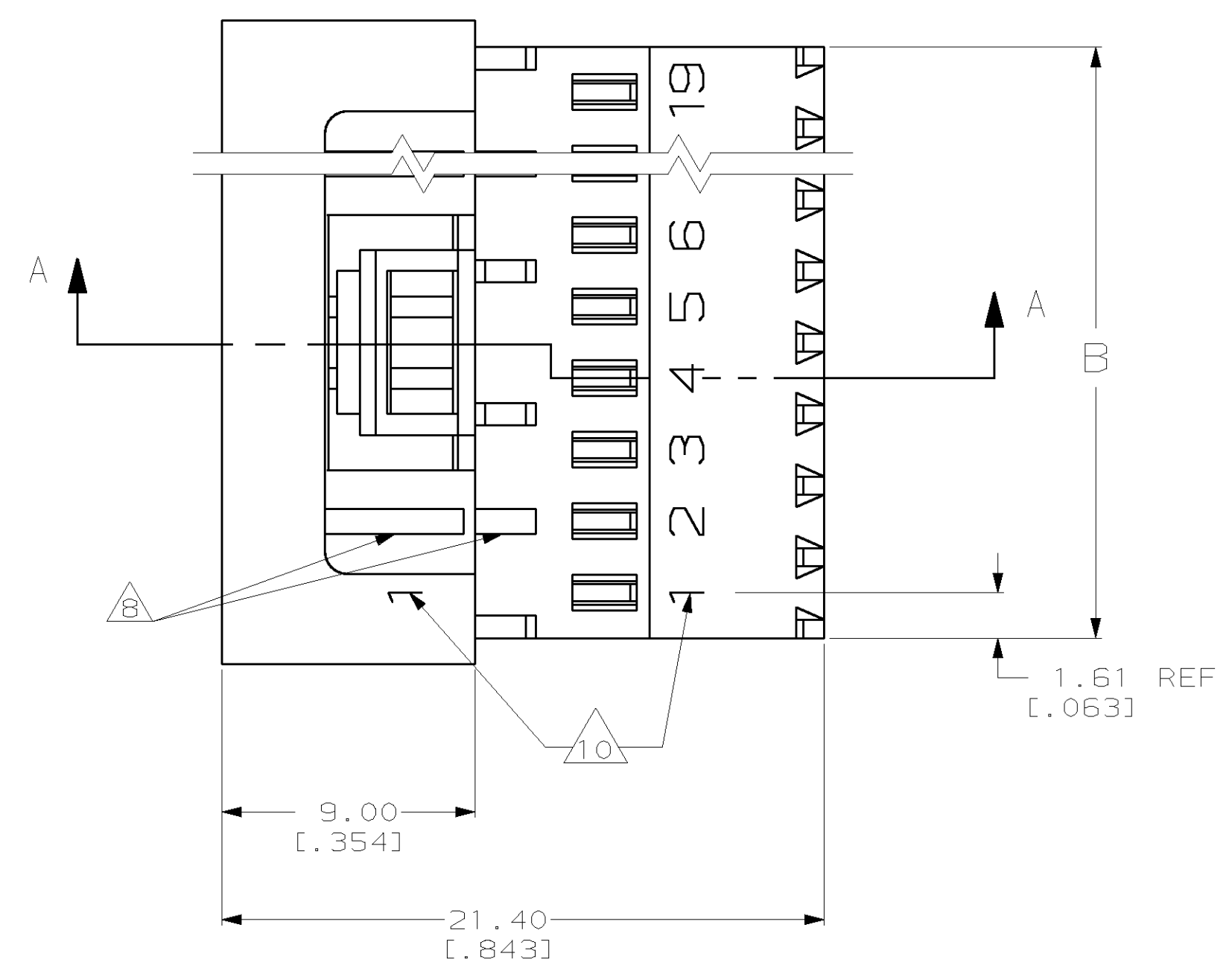
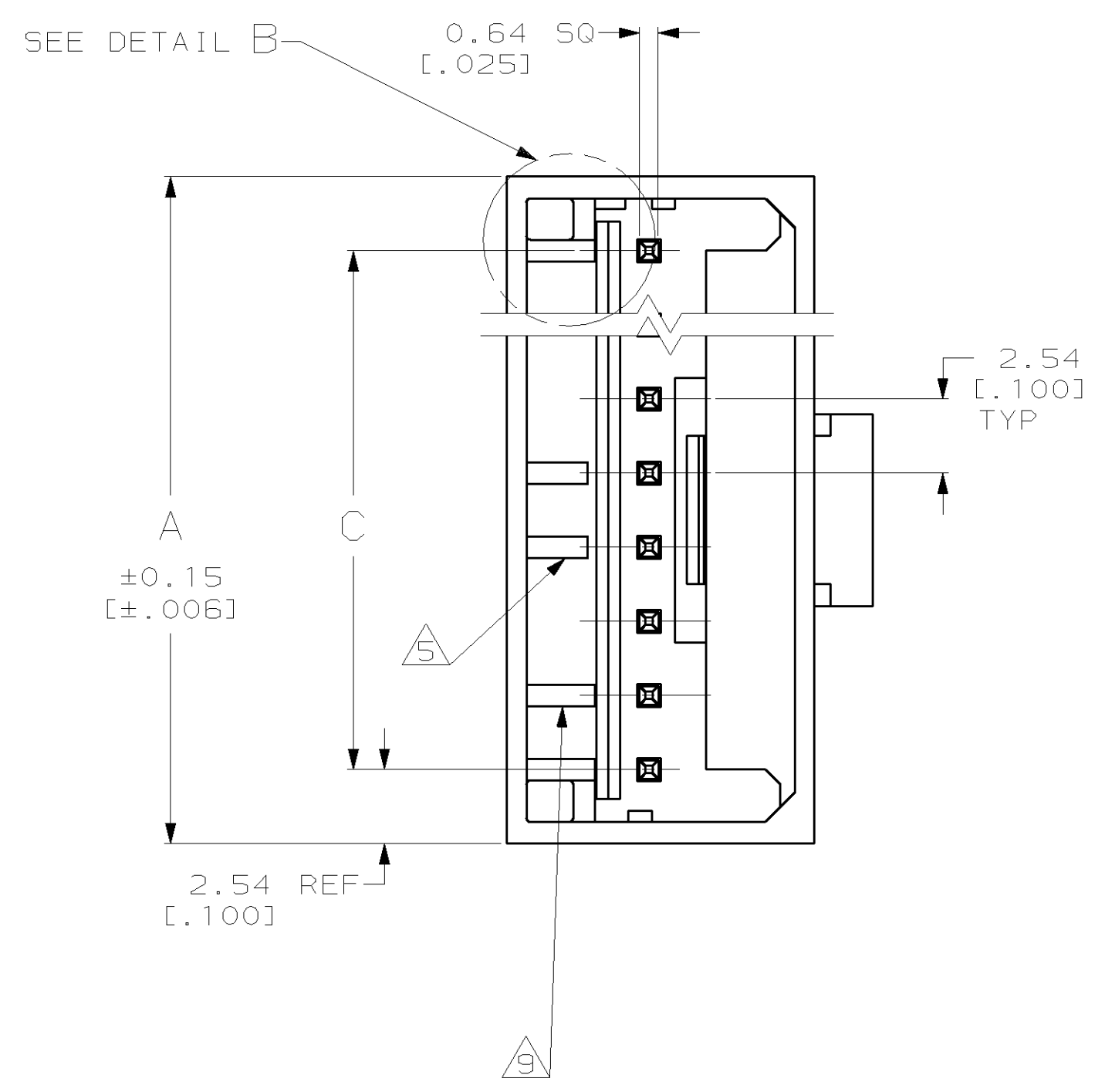
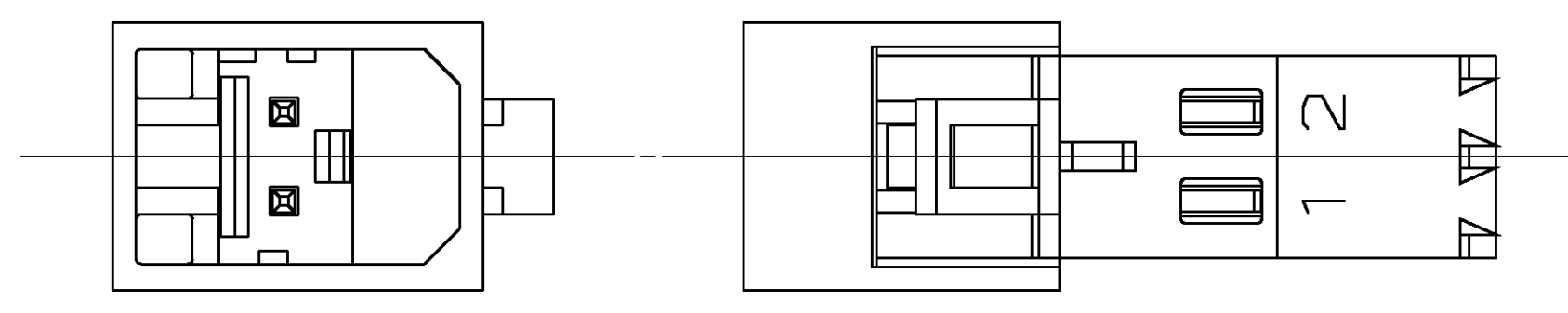


LOC	DIST	REV	DATE	BY	APPV
CM	00				
REVISIONS			DATE	BY	APPV
C	REVISED PER EC	0638-0606-01	21-JAN-02	KW	DB

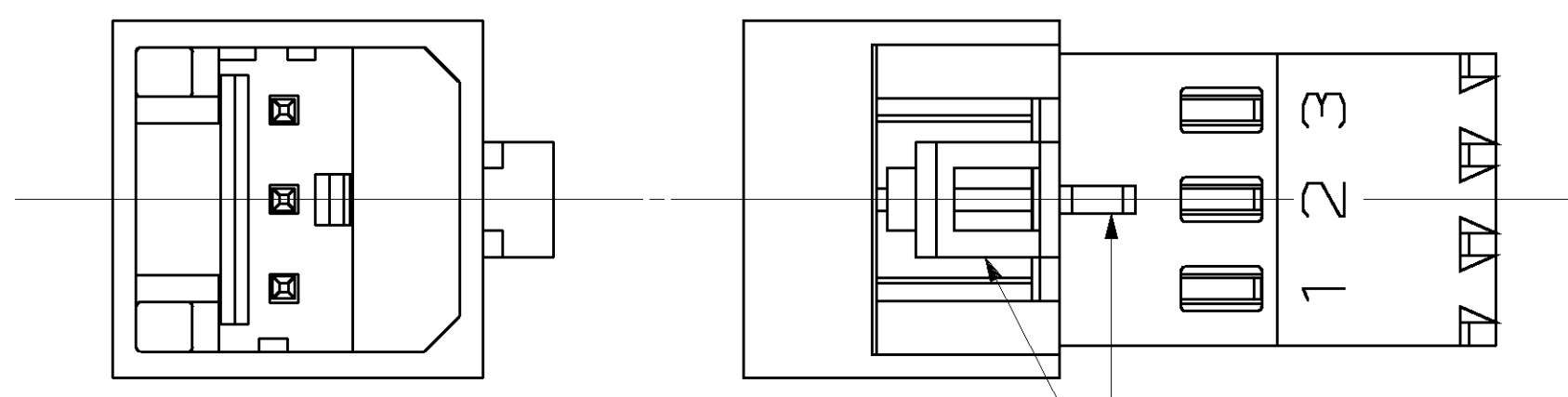


- 1 MATERIAL: HOUSING- NYLON UL94V-2 (RED).
 CONTACTS- 0.30 [0.012] THK COPPER ALLOY
 DUAL PLATING: GOLD 0.00076 [0.00030]
 MIN THK ON POST, BRIGHT TIN-LEAD
 0.00203 [0.00080] MIN THK ON WIRE SLOT,
 WITH NICKEL UNDERPLATE 0.00127
 [0.00050] MIN THK ALL OVER.
2. CONTACTS ACCEPT 22 AWG (0.3 - 0.4 mm²) TIN PLATED
 SOLID, CONCENTRIC FUSED STRANDED, OR
 CONCENTRIC STRANDED (7 AND 19 STRAND) WIRE
 WITH 1.52 [0.060] MAX INSULATION DIAMETER.
- 3 MATES WITH STANDARD MTA-100 CONNECTORS:
 OF THE SAME CIRCUIT SIZES
 WITH SIMILARLY PLATED CONTACTS
 WITH POLARIZING TABS-CIRCUIT SIZES 4-19 ONLY
 WITHOUT POLARIZING TABS-CIRCUIT SIZES 2 & 3.
 DOES NOT MATE WITH MTA-100 CONNECTORS:
 WITH POLARIZING TABS-CIRCUIT SIZES 2 & 3 ONLY.
 (SEE DETAIL A)
 WITH BLOCKED CIRCUITS -ALL CIRCUIT SIZES.
 NOT RECOMMENDED FOR MATING WITH MTA-100
 CONNECTOR WITHOUT POLARIZING TABS.
 CIRCUIT SIZES 4-19.
- 4 ACCESSORIES:
 REPLACEMENT IDC CONTACTS: 647030-2.
 COVERS: SEE TABLE
- 5 QUANTITY OF CENTRALLY POSITIONED RAILS
 VARIES WITH CIRCUIT SIZE. (SEE TABLE)
 LOCATION MAY DIFFER FROM EXAMPLE SHOWN.
6. DIMENSIONS IN BRACKETS ARE IN INCHES.
- 7 SIMILAR SIZED LOCK AND SINGLE TAB USED
 FOR CIRCUITS 4 & 5.
- 8 QUANTITY OF GUSSET RIBS VARIES WITH
 CIRCUIT SIZE (SEE TABLE).
 LOCATION MAY DIFFER FROM EXAMPLE SHOWN.
- 9 INNER END RAIL PAIR NOT PRESENT FOR
 CIRCUIT SIZES 2 OR 3.
- 10 CIRCUIT ID MAY APPEAR FULLY NUMBERED OR SHOWING
 LOCATION 1 ONLY DEPENDING ON CIRCUIT SIZE.

2 CIRCUIT



3 CIRCUIT



DETAIL A

1-640642-9	1-643077-9	4	2	45.72	1.800	48.95	1.927	50.80	2.000	19	1-647008-9
1-640642-8	1-643077-8	4	2	43.18	1.700	46.41	1.827	48.26	1.900	18	1-647008-8
1-640642-7	1-643077-7	4	2	40.64	1.600	43.86	1.727	45.72	1.800	17	1-647008-7
1-640642-6	1-643077-6	4	2	38.10	1.500	41.32	1.627	43.18	1.700	16	1-647008-6
1-640642-5	1-643077-5	4	2	35.56	1.400	38.78	1.527	40.64	1.600	15	1-647008-5
1-640642-4	1-643077-4	4	2	33.02	1.300	36.24	1.427	38.10	1.500	14	1-647008-4
1-640642-3	1-643077-3	4	2	30.48	1.200	33.70	1.327	35.56	1.400	13	1-647008-3
1-640642-2	1-643077-2	2	1	27.94	1.100	31.16	1.227	33.02	1.300	12	1-647008-2
1-640642-1	1-643077-1	2	1	25.40	1.000	28.62	1.127	30.48	1.200	11	1-647008-1
1-640642-0	1-643077-0	2	1	22.86	.900	26.08	1.027	27.94	1.100	10	1-647008-0
640642-9	643077-9	2	1	20.32	.800	23.54	.927	25.40	1.000	9	647008-9
640642-8	643077-8	2	0	17.78	.700	21.00	.827	22.86	.900	8	647008-8
640642-7	643077-7	0	0	15.24	.600	18.46	.727	20.32	.800	7	647008-7
640642-6	643077-6	0	0	12.70	.500	15.92	.627	17.78	.700	6	647008-6
640642-5	643077-5	0	0	10.16	.400	13.38	.527	15.24	.600	5	647008-5
640642-4	643077-4	0	0	7.62	.300	10.84	.427	12.70	.500	4	647008-4
640642-3	643077-3	0	0	5.08	.200	8.30	.327	10.16	.400	3	647008-3
-	643077-2	0	0	2.54	.100	5.76	.227	7.62	.300	2	647008-2
DUST COVER	STRAIN RELIEF COVERS	QTY OF GUSSET RIBS	QTY OF CENTRAL RAILS	MM	IN	MM	IN	MM	IN	NO. OF CIRCUITS	PART NO
ACCESSORIES				C		B		A			

METRIC

THIS DRAWING IS A CONTROLLED DOCUMENT.

DWG: LEWIS 1-30-98
 CHK: SWING 1-30-98
 APV: ELLIS 1-30-98

AMP Incorporated
 Harrisburg, PA 17105-3608

PRODUCT SPEC: MTA-100 POSTED CONNECTOR ASSEMBLY, CLOSED END, 22 AWG

APPLICATION SPEC: -

SIZE: A1 CAGE CODE: 00779 DRAWING NO: C-647008

WEIGHT: -

CUSTOMER DRAWING

SCALE: 5:1 SHEET: 1 OF 1 REV: C