

63951-8 ✓ ACTIVE

FASTON | FASTON 250

TE Internal #: 63951-8

PCB Terminals, Tab, Mating Tab Width 6.35 mm [.25 in], PCB Hole

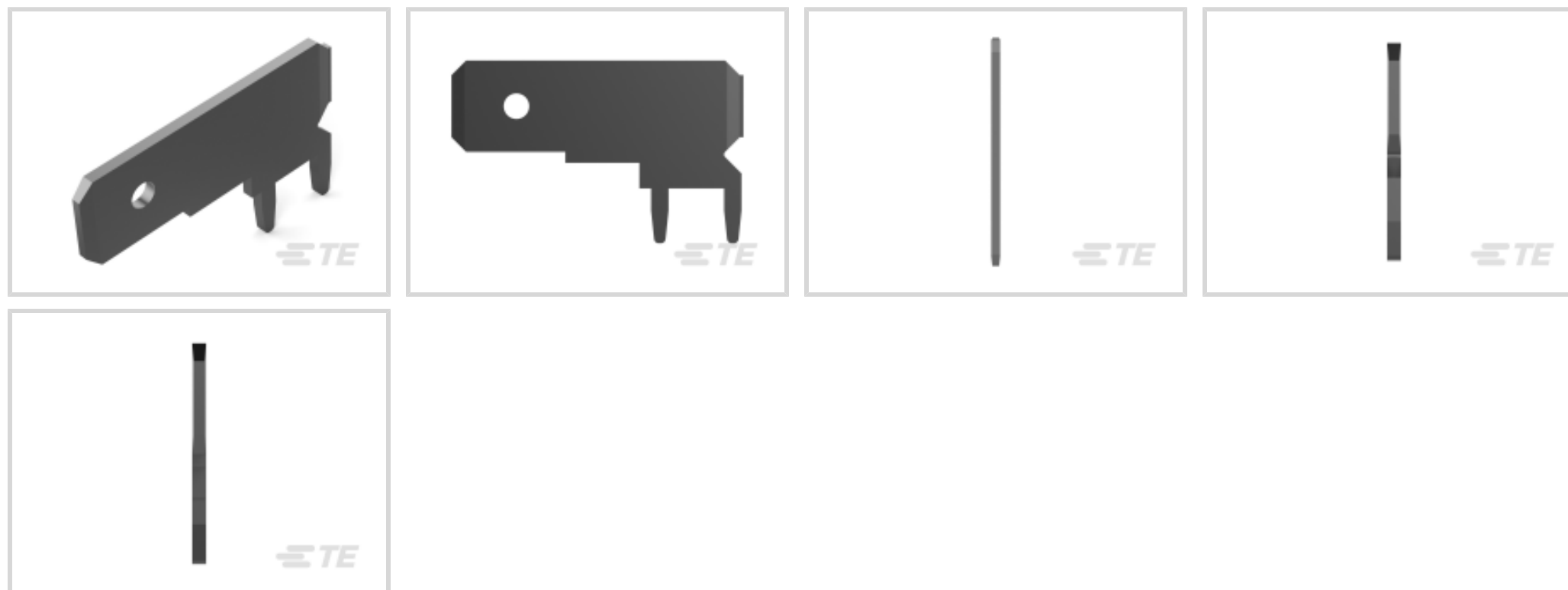
Diameter 1.4 mm [.055 in], Through Hole - Solder, Tin Plating,

Nickel, Box, FASTON 250

[View on TE.com >](#)



Terminals & Splices > PCB Terminals



PCB Terminal Type: **Tab**

PCB Thickness (Recommended): 1.57 mm [.062 in]

Mating Tab Width: 6.35 mm [.25 in]

Mating Tab Thickness: .8 mm [.031 in]

PCB Hole Diameter: 1.4 mm [.055 in]

Features

Configuration Features

Connection Capacity	Single
Stud Hole	No
Terminal Angle	90 °

Body Features

Plating Thickness	3.81 μm[150 μin]
-------------------	------------------

Contact Features

Contact Plating Material	Tin
PCB Terminal Type	Tab
Mating Tab Width	6.35 mm[.25 in]
Mating Tab Thickness	.8 mm[.031 in]
Terminal Plating Material	Tin
Contact Underplating Material	Nickel
Terminal Size	6.35
Terminal Orientation	Flag



Termination Features

Termination Method to Printed Circuit Board	Through Hole - Solder
Product Terminates To	Printed Circuit Board

Mechanical Attachment

Wire Insulation Support	Without
-------------------------	---------

Dimensions

Extension Below Board	3.81 mm[.150 in]
Receptacle Terminal Stock Thickness	.8 mm[.031 in]
PCB Thickness (Recommended)	1.57 mm[.062 in]
PCB Hole Diameter	1.4 mm[.055 in]
Profile Height from PCB	8.89 mm[.354 in]

Usage Conditions

Insulation Option	Uninsulated
Operating Temperature Range	-30 – 110 °C[-22 – 230 °F]

Industry Standards

CSA Certified	Yes
UL Rating	Recognized

Packaging Features

Packaging Quantity	10000
Packaging Method	Box

Product Compliance

[For compliance documentation, visit the product page on TE.com>](#)



EU RoHS Directive 2011/65/EU	Compliant
EU ELV Directive 2000/53/EC	Compliant
China RoHS 2 Directive MIIT Order No 32, 2016	No Restricted Materials Above Threshold
EU REACH Regulation (EC) No. 1907/2006	Current ECHA Candidate List: JUNE 2022 (224) Candidate List Declared Against: JAN 2022 (223) SVHC > Threshold: Not Yet Reviewed
Halogen Content	Low Halogen - Br, Cl, F, I < 900 ppm per homogenous material. Also BFR/CFR/PVC

	Free
Solder Process Capability	Not applicable for solder process capability

Product Compliance Disclaimer

This information is provided based on reasonable inquiry of our suppliers and represents our current actual knowledge based on the information they provided. This information is subject to change. The part numbers that TE has identified as EU RoHS compliant have a maximum concentration of 0.1% by weight in homogenous materials for lead, hexavalent chromium, mercury, PBB, PBDE, DBP, BBP, DEHP, DIBP, and 0.01% for cadmium, or qualify for an exemption to these limits as defined in the Annexes of Directive 2011/65/EU (RoHS2). Finished electrical and electronic equipment products will be CE marked as required by Directive 2011/65/EU. Components may not be CE marked. Additionally, the part numbers that TE has identified as EU ELV compliant have a maximum concentration of 0.1% by weight in homogenous materials for lead, hexavalent chromium, and mercury, and 0.01% for cadmium, or qualify for an exemption to these limits as defined in the Annexes of Directive 2000/53/EC (ELV). Regarding the REACH Regulation, the information TE provides on SVHC in articles for this part number is based on the latest European Chemicals Agency (ECHA) 'Guidance on requirements for substances in articles' posted at this URL: <https://echa.europa.eu/guidance-documents/guidance-on-reach>

Compatible Parts

 <p>TE Part # 63860-1 187 FASTON TAB TPBR</p>	 <p>TE Part # 1217061-1 187 FASTON,FLAG,TAB,TNBR</p>	 <p>TE Part # 1217062-1 187 FASTON,FLAG,PCB TAB,TNBR</p>	 <p>TE Part # 63952-1 250 FASTON TAB TPBR</p>
 <p>TE Part # 63860-2 187 FASTON TAB TPBR</p>	 <p>TE Part # CAT-P100 P100 PIN INSERTION MACHINE</p>	 <p>TE Part # CAT-P280 P280 PIN INSERTION MACHINE</p>	 <p>TE Part # CAT-P300 P300 PIN INSERTION MACHINE</p>
 <p>TE Part # CAT-P360 P360 PIN INSERTION MACHINE</p>	 <p>TE Part # CAT-P550 P550 PIN INSERTION MACHINE</p>	 <p>TE Part # 1742303-1 250 FASTON,PCB TAB,TNBR</p>	

Also in the Series | **FASTON 250**



Compression Connectors(4)



Crimp Terminal Housings(143)



Insertion & Extraction Tools(6)



Magnet Wire Terminals(1)



PCB Terminals(144)



Quick Disconnects(456)



Splices(4)

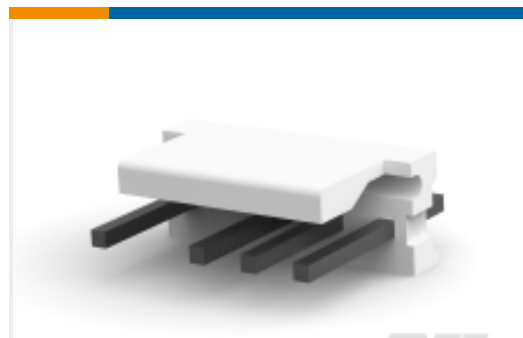
Customers Also Bought



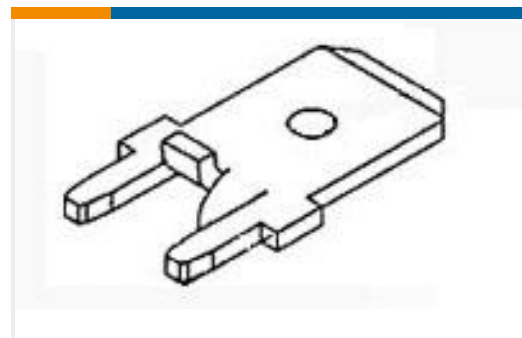
TE Part #3-647609-3
03P MTA100 HDR ASSY F/L LF



TE Part #3-644893-3
03P CST100 SHRD HDR ASSY LF



TE Part #643495-1
05P MTA156 HDR ASSY W/O#4



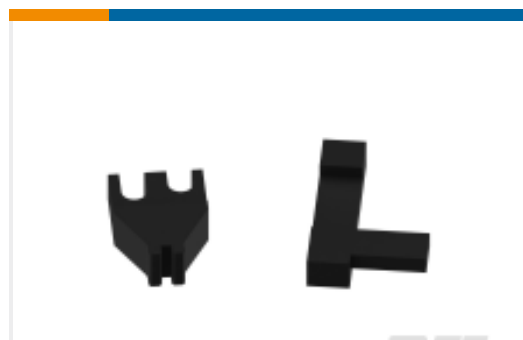
TE Part #1217127-1
250 FASTON,PCB TAB,TPBR



TE Part #3-644611-4
04P MTA156 HDR POL WO PEGS LF



TE Part #1742664-1
187 FASTON,TAB,PCB,TNBR



TE Part #1338955-1
HOLDDOWN, FIXED

Documents

[Product Drawings](#)
[250 FASTON TAB TPBR](#)

English

[CAD Files](#)

[3D PDF](#)

[3D](#)

[Customer View Model](#)

[ENG_CVM_CVM_63951-8_S.2d_dxf.zip](#)



English

Customer View Model

[ENG_CVM_CVM_63951-8_S.3d_igs.zip](#)

English

Customer View Model

[ENG_CVM_CVM_63951-8_S.3d_stp.zip](#)

English

By downloading the CAD file I accept and agree to the [Terms and Conditions](#) of use.

Product Specifications

[Application Specification](#)

English