

5745134-1 ✓ ACTIVE

AMPLIMITE | AMPLIMITE Kit

TE Internal #: 5745134-1

D-Sub Backshells & Clamps, Cable Clamp Kit, Clam Shell, 25  
Position, Size 3, Cable Exit Angle 180° (In-Line) / 90° (Right Angle),  
AMPLIMITE Kit

[View on TE.com >](#)



Connectors > D-Shaped Connectors > D-Sub Accessories > D-Sub Backshells & Clamps



D-Shaped Connector Accessories: **Cable Clamp Kit**

Cable Clamp Type: **Clam Shell**

Number of Positions: **25**

Compatible With Connector Shell Size: **3**

Shielded: **No**

## Features

### Product Type Features

Grommets	Without
D-Shaped Connector Accessories	Cable Clamp Kit
Connector & Contact Terminates To	Wire & Cable

### Configuration Features

Number of Positions	25
---------------------	----

### Body Features

Shield Plating Material	None
Cable Clamp Material	Thermoplastic
Color	Gray
Cable Clamp Type	Clam Shell
Cable Exit Angle	180° (In-Line), 90° (Right Angle)

### Mechanical Attachment

Screw & Hole Thread Size	4-40
--------------------------	------



### Dimensions

Cable Insulation Diameter Range	11.68 mm[.46 in]
---------------------------------	------------------

### Operation/Application

Compatible With Connector Shell Size	3
Shielded	No

### Packaging Features

Packaging Quantity	1
Packaging Method	Bag

### Other

Comment	All parts are packaged unassembled., Straight or 90° cable exit is achieved by inserting AMP-TY Cable Ties through cable tie openings and clamping the cable to one housing half only.
---------	--

### Product Compliance

[For compliance documentation, visit the product page on TE.com>](#)

EU RoHS Directive 2011/65/EU	Compliant
EU ELV Directive 2000/53/EC	Compliant
China RoHS 2 Directive MIIT Order No 32, 2016	No Restricted Materials Above Threshold
EU REACH Regulation (EC) No. 1907/2006	Current ECHA Candidate List: JUNE 2022 (224) Candidate List Declared Against: JUL 2021 (219) Does not contain REACH SVHC
Halogen Content	Not Low Halogen - contains Br or Cl > 900 ppm.
Solder Process Capability	Not applicable for solder process capability

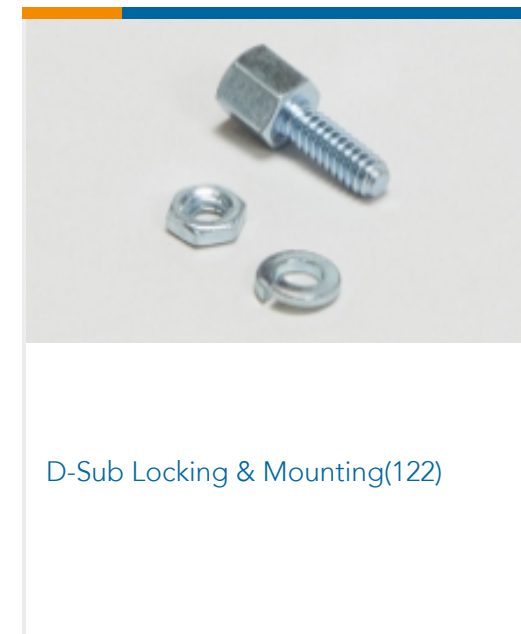
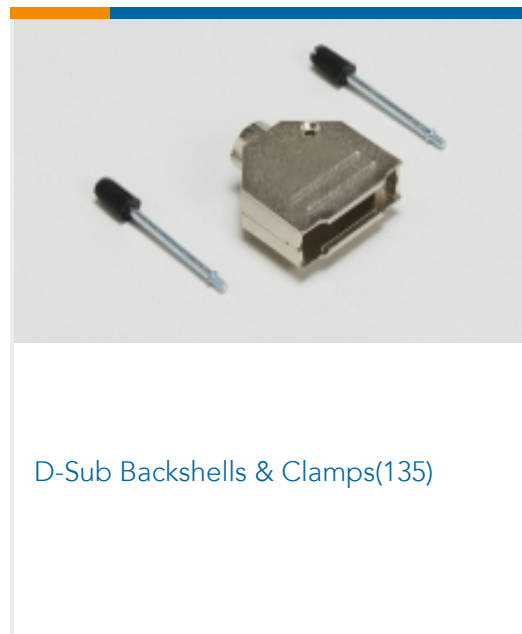
#### Product Compliance Disclaimer

This information is provided based on reasonable inquiry of our suppliers and represents our current actual knowledge based on the information they provided. This information is subject to change. The part numbers that TE has identified as EU RoHS compliant have a maximum concentration of 0.1% by weight in homogenous materials for lead, hexavalent chromium, mercury, PBB, PBDE, DBP, BBP, DEHP, DIBP, and 0.01% for cadmium, or qualify for an exemption to these limits as defined in the Annexes of Directive 2011/65/EU (RoHS2). Finished electrical and electronic equipment products will be CE marked as required by Directive 2011/65/EU. Components may not be CE marked. Additionally, the part numbers that TE has identified as EU ELV compliant have a maximum concentration of 0.1% by weight in homogenous materials for lead, hexavalent chromium, and mercury, and 0.01% for cadmium, or qualify for an exemption to these limits as defined in the Annexes of Directive 2000/53/EC (ELV). Regarding the REACH Regulation, the information TE provides on SVHC in articles for this part number is based on the latest European Chemicals Agency (ECHA) 'Guidance on requirements for substances in articles' posted at this URL: <https://echa.europa.eu/guidance-documents/guidance-on-reach>

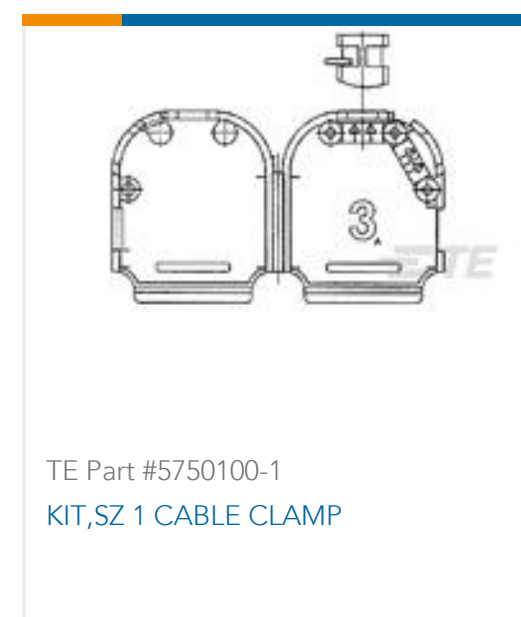
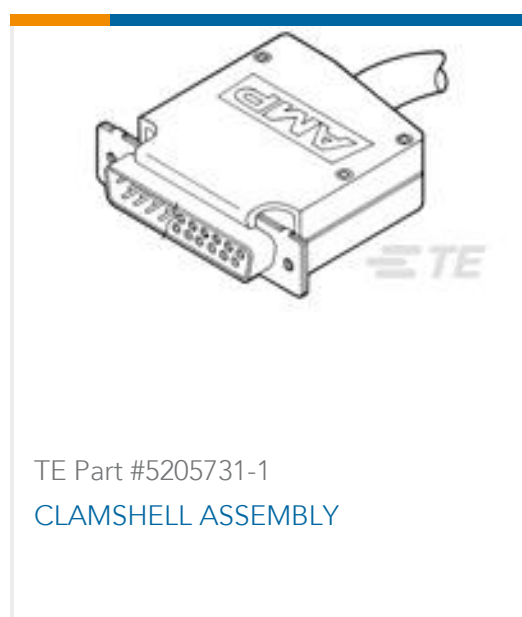
## Compatible Parts



## Also in the Series | AMPLIMITE Kit



## Customers Also Bought





TE Part #608037-000  
SO63-4-55-22-90



TE Part #236834-000  
SO96-2-55-22-90

## Documents

### Product Drawings

#### CABLE CLAMP KIT,SZ 3

English

### CAD Files

#### 3D PDF

3D

#### Customer View Model

[ENG\\_CVM\\_CVM\\_5745134-1\\_O.2d\\_dxf.zip](#)

English

#### Customer View Model

[ENG\\_CVM\\_CVM\\_5745134-1\\_O.3d\\_igs.zip](#)

English

#### Customer View Model

[ENG\\_CVM\\_CVM\\_5745134-1\\_O.3d\\_stp.zip](#)

English

By downloading the CAD file I accept and agree to the [Terms and Conditions](#) of use.

### Datasheets & Catalog Pages

#### AMPLIMITE Subminiature D Connectors - Cable Connectors

English

#### AMPLIMITE Cable Connectors and Shielding Hardware Kits QRG

English

### Product Environmental Compliance

[MD\\_5745134-1\\_0319201419\\_dmtec](#)

English

[MD\\_5745134-1\\_0319201419\\_dmtec](#)

English

### Instruction Sheets

#### Instruction Sheet (U.S.)

English