



AMP

TE Internal #: 641294-2

Power Contacts, Contact, 250 VAC, 250 VDC, Gold, 26 – 18 AWG

Wire Size, .12 – .8 mm<sup>2</sup> Wire Size, 236.823 – 1578.82 CMA Wire Size

[View on TE.com >](#)

Connectors > Power Connectors > Power Contacts



Power Contact Type: **Contact**

Operating Voltage: **250 VDC**

Contact Mating Area Plating Material: **Gold**

Wire Size: **26 – 18 AWG**

**Features**

**Product Type Features**

|                                   |                             |
|-----------------------------------|-----------------------------|
| Power Contact Type                | Contact                     |
| Connector System                  | Wire-to-Board, Wire-to-Wire |
| Sealable                          | No                          |
| Connector & Contact Terminates To | Wire & Cable                |

**Configuration Features**

|                     |   |
|---------------------|---|
| Number of Positions | 1 |
|---------------------|---|

**Electrical Characteristics**

|                   |         |
|-------------------|---------|
| Operating Voltage | 250 VDC |
|-------------------|---------|

**Contact Features**

|                                      |                  |
|--------------------------------------|------------------|
| Contact Fabrication                  | Stamped & Formed |
| Contact Mating Area Plating Material | Gold             |
| Contact Current Rating (Max)         | 9 A              |
| Contact Type                         | Socket           |
| Contact Retention Within Housing     | With             |
| Mating Pin Diameter                  | 1.98 mm[.077 in] |



|   |                   |
|---|-------------------|
| Contact Base Material                           | Phosphor Bronze   |
| Contact Mating Area Plating Material Thickness  | .76 µm[29.92 µin] |
| Wire Contact Termination Area Plating Thickness | 1.27 µm[50 µin]   |
| Wire Contact Termination Area Plating Material  | Nickel            |
| Contact Orientation                             | Straight          |
| Contact Underplating Material                   | Nickel            |
| Contact Underplating Material Thickness         | 1.27 µm[1.27 µin] |

### Termination Features

|                                    |       |
|------------------------------------|-------|
| Termination Method to Wire & Cable | Crimp |
|------------------------------------|-------|

### Mechanical Attachment

|                         |      |
|-------------------------|------|
| Wire Insulation Support | With |
|-------------------------|------|

### Dimensions

|  |                              |
|--|------------------------------|
| Wire Size                              | 236.823 – 1578.82 CMA        |
| Accepts Wire Insulation Diameter Range | .64 – 2.92 mm[.05 – .115 in] |

### Usage Conditions

|                             |                           |
|-----------------------------|---------------------------|
| Operating Temperature Range | -55 – 85 °C[-67 – 185 °F] |
|-----------------------------|---------------------------|

### Operation/Application

|                     |                |
|---------------------|----------------|
| Circuit Application | Power & Signal |
|---------------------|----------------|

### Packaging Features

|                  |      |
|------------------|------|
| Packaging Method | Reel |
|------------------|------|

### Other

|                 |               |
|-----------------|---------------|
| Wire/Cable Type | Discrete Wire |
|-----------------|---------------|

## Product Compliance

[For compliance documentation, visit the product page on TE.com>](#)

|   |  |
|---|--|
| EU RoHS Directive 2011/65/EU                  | Compliant  |
| EU ELV Directive 2000/53/EC                   | Compliant  |
| China RoHS 2 Directive MIIT Order No 32, 2016 | No Restricted Materials Above Threshold  |
| EU REACH Regulation (EC) No. 1907/2006        | Current ECHA Candidate List: JUNE 2022 (224)<br>Candidate List Declared Against: JAN 2022 (223)<br>SVHC > Threshold:<br>Not Yet Reviewed |

Halogen Content

Low Halogen - Br, Cl, F, I < 900 ppm per homogenous material. Also BFR/CFR/PVC Free

Solder Process Capability

Not applicable for solder process capability

Product Compliance Disclaimer

This information is provided based on reasonable inquiry of our suppliers and represents our current actual knowledge based on the information they provided. This information is subject to change. The part numbers that TE has identified as EU RoHS compliant have a maximum concentration of 0.1% by weight in homogenous materials for lead, hexavalent chromium, mercury, PBB, PBDE, DBP, BBP, DEHP, DIBP, and 0.01% for cadmium, or qualify for an exemption to these limits as defined in the Annexes of Directive 2011/65/EU (RoHS2). Finished electrical and electronic equipment products will be CE marked as required by Directive 2011/65/EU. Components may not be CE marked. Additionally, the part numbers that TE has identified as EU ELV compliant have a maximum concentration of 0.1% by weight in homogenous materials for lead, hexavalent chromium, and mercury, and 0.01% for cadmium, or qualify for an exemption to these limits as defined in the Annexes of Directive 2000/53/EC (ELV). Regarding the REACH Regulation, the information TE provides on SVHC in articles for this part number is based on the latest European Chemicals Agency (ECHA) 'Guidance on requirements for substances in articles' posted at this URL: <https://echa.europa.eu/guidance-documents/guidance-on-reach>

## Compatible Parts



TE Part # 2063388-1  
TOOL, EXTRACTION



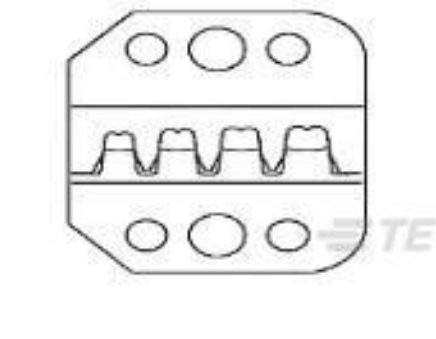
TE Part # 58514-1  
PROCRIMP TL W/DIE MR26-18



TE Part # 91526-1  
CCII MR II+ REC 26-18 ASSY



TE Part # 2305570-1  
TERMINAL CUTTER, SIDE FEED



TE Part # 58514-2  
PROCRIMP DIE MR26-18



TE Part # 2-2151229-1  
OCEAN-2.0-APPLICATOR-S-055F120F



TE Part # 2-2151229-2  
OCEAN-2.0-APPLICATOR-S-055F120F



TE Part # 2151229-1  
OCEAN-2.0-APPLICATOR-S-055F120F



TE Part # 2151229-2  
OCEAN-2.0-APPLICATOR-S-055F120F



TE Part # 5-2151229-1  
OCEAN-2.0-APPLICATOR-S-055F120F



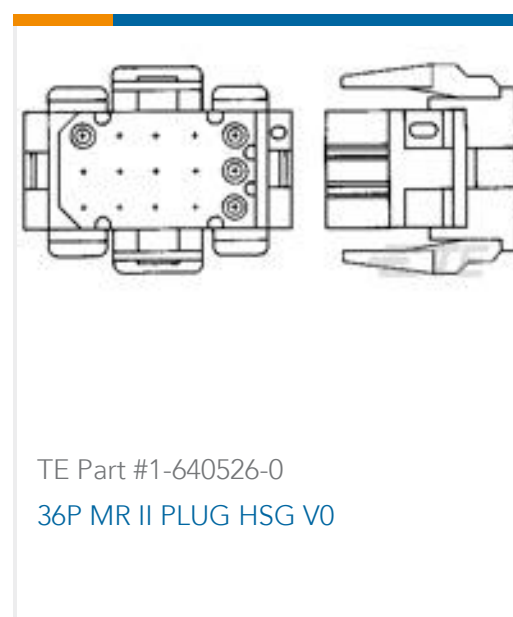
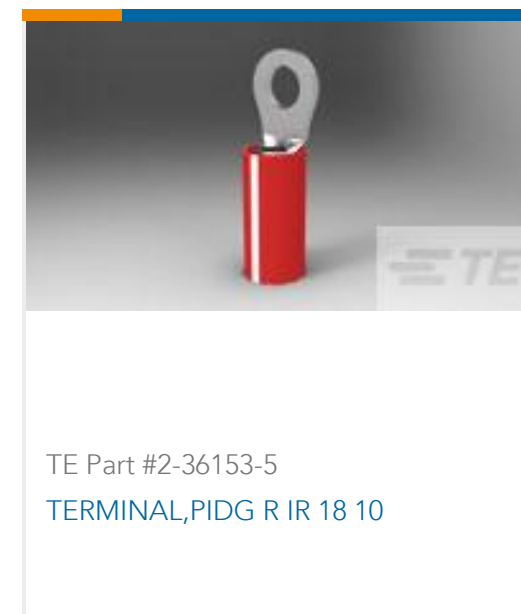
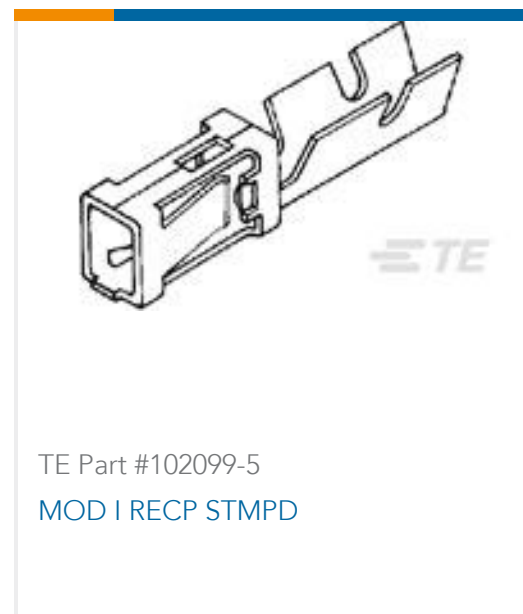
TE Part # 5-2151229-2  
OCEAN-2.0-APPLICATOR-S-055F120F



TE Part # 7-2151229-1  
OCEAN-2.0-APPLICATOR-S-055F120F



## Customers Also Bought



## Documents

### Product Drawings

MR RECPT 26-18 AUNI/AUPHBZ

English

### CAD Files

3D PDF

3D

Customer View Model

[ENG\\_CVM\\_CVM\\_641294-2\\_T.2d\\_dxf.zip](#)

English

Customer View Model

[ENG\\_CVM\\_CVM\\_641294-2\\_T.3d\\_igs.zip](#)

English

Customer View Model

[ENG\\_CVM\\_CVM\\_641294-2\\_T.3d\\_stp.zip](#)

English

Customer View Model



[ENG\\_CVM\\_641294-2\\_E1.3d\\_igs.zip](#)

English

**Customer View Model**

[ENG\\_CVM\\_641294-2\\_E1.3d\\_stp.zip](#)

English

**Customer View Model**

[ENG\\_CVM\\_641294-2\\_E1.2d\\_dxf.zip](#)

English

**3D PDF**

English

By downloading the CAD file I accept and agree to the [Terms and Conditions](#) of use.

---

### Datasheets & Catalog Pages

[SOFT\\_SHELL\\_PIN\\_AND\\_SOCKET\\_CONNECTORS\\_CATALOG](#)

English

---

### Product Specifications

[Application Specification](#)

English

---

### Product Environmental Compliance

[MD\\_641294-2\\_06232017444\\_dmtec](#)

English

[MD\\_641294-2\\_06232017444\\_dmtec](#)

English