



SL-156

TE Internal #: 640251-5

Housing, Receptacle, Wire-to-Board, 5 Position, 3.96 mm [.156 in]
Centerline, Crimp, 1 Row, Natural, Wire & Cable, Power & Signal,
SL-156

[View on TE.com >](#)

Connectors > PCB Connectors > Wire-to-Board Connectors > Wire-to-Board Connector Assemblies & Housings >

3.96mm Wire-to-board housing: receptacle, no mating alignment, SL 156



Connector Product Type: **Housing**

Connector & Housing Type: **Receptacle**

Connector System: **Wire-to-Board**

Number of Positions: **5**

Centerline (Pitch): **3.96 mm [.156 in]**

[All 3.96mm Wire-to-board housing: receptacle, no mating alignment, SL 156 \(30\)](#)

Features

Product Type Features

| | |
|-----------------------------------|---------------|
| Connector Product Type | Housing |
| Connector & Housing Type | Receptacle |
| Connector System | Wire-to-Board |
| Sealable | No |
| Connector & Contact Terminates To | Wire & Cable |

Configuration Features

| | |
|---------------------|---|
| Number of Positions | 5 |
| Number of Rows | 1 |

Electrical Characteristics

| | |
|-------------------|---------|
| Operating Voltage | 250 VAC |
|-------------------|---------|

Contact Features

| | |
|--|--|
| | |
|--|--|



| | |
|----------------------------------|---------|
| Contact Layout | Inline |
| Contact Retention Within Housing | Without |
| Contact Type | Socket |
| Contact Current Rating (Max) | 6.5 A |

Termination Features

| | |
|------------------------------------|-------|
| Termination Method to Wire & Cable | Crimp |
|------------------------------------|-------|

Mechanical Attachment

| | |
|-------------------------|----------------------------|
| Strain Relief | Without |
| PCB Mount Alignment | Without |
| Panel Mount Feature | Without |
| PCB Mount Retention | Without |
| Mating Retention | Without |
| Connector Mounting Type | Cable Mount (Free-Hanging) |

Housing Features

| | |
|-----------------------------|-------------------|
| Housing Entry Configuration | Left End Open |
| Housing Material | Nylon - GF |
| Centerline (Pitch) | 3.96 mm [.156 in] |
| Housing Color | Natural |

Dimensions

| | |
|------------------|------------------------------|
| | .777 in |
| Connector Height | 6.35 mm |
| Wire Size | .0509 – .823 mm ² |

Usage Conditions

| | |
|-----------------------------|-----------------------------|
| Operating Temperature Range | -55 – 105 °C [-67 – 221 °F] |
|-----------------------------|-----------------------------|

Operation/Application

| | |
|---------------------|----------------|
| Circuit Application | Power & Signal |
|---------------------|----------------|

Industry Standards

| | |
|------------------------|-----------|
| CSA Rating | Certified |
| UL Flammability Rating | UL 94V-0 |
| UL File Number | E28476 |
| UL Rating | Listed |
| Agency/Standard | CSA, UL |



| | |
|-----------------|---------|
| CSA File Number | LR 7189 |
|-----------------|---------|

Packaging Features

| | |
|--------------------|-----------|
| Packaging Quantity | 500 |
| Packaging Method | Bag & Box |

Other

| | |
|---------|---|
| Comment | Unit Accepts 1.14[.045] Square or Round Post, Accepts Keying Plug 640254-1 and 640255-1 |
|---------|---|

Product Compliance

[For compliance documentation, visit the product page on TE.com>](#)

| | |
|---|---|
| EU RoHS Directive 2011/65/EU | Compliant |
| EU ELV Directive 2000/53/EC | Compliant |
| China RoHS 2 Directive MIIT Order No 32, 2016 | No Restricted Materials Above Threshold |
| EU REACH Regulation (EC) No. 1907/2006 | Current ECHA Candidate List: JUNE 2022 (224) Candidate List Declared Against: JUNE 2022 (224) Does not contain REACH SVHC |
| Halogen Content | Low Halogen - Br, Cl, F, I < 900 ppm per homogenous material. Also BFR/CFR/PVC Free |
| Solder Process Capability | Not applicable for solder process capability |

Product Compliance Disclaimer

This information is provided based on reasonable inquiry of our suppliers and represents our current actual knowledge based on the information they provided. This information is subject to change. The part numbers that TE has identified as EU RoHS compliant have a maximum concentration of 0.1% by weight in homogenous materials for lead, hexavalent chromium, mercury, PBB, PBDE, DBP, BBP, DEHP, DIBP, and 0.01% for cadmium, or qualify for an exemption to these limits as defined in the Annexes of Directive 2011/65/EU (RoHS2). Finished electrical and electronic equipment products will be CE marked as required by Directive 2011/65/EU. Components may not be CE marked. Additionally, the part numbers that TE has identified as EU ELV compliant have a maximum concentration of 0.1% by weight in homogenous materials for lead, hexavalent chromium, and mercury, and 0.01% for cadmium, or qualify for an exemption to these limits as defined in the Annexes of Directive 2000/53/EC (ELV). Regarding the REACH Regulation, the information TE provides on SVHC in articles for this part number is based on the latest European Chemicals Agency (ECHA) 'Guidance on requirements for substances in articles' posted at this URL: <https://echa.europa.eu/guidance-documents/guidance-on-reach>

Compatible Parts



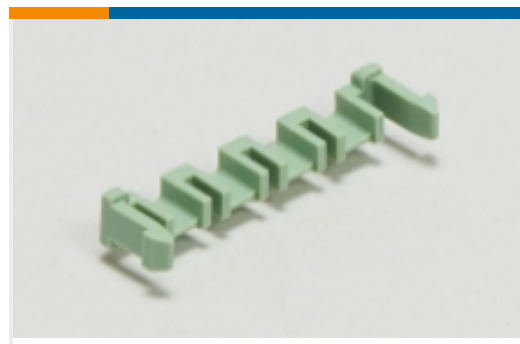
Also in the Series | **SL-156**



Insertion & Extraction Tools(1)



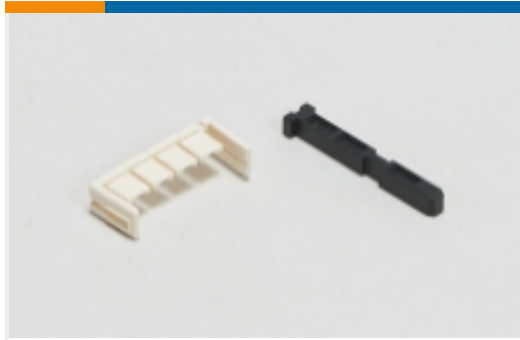
PCB Connector Keying(2)



PCB Latches, Locks & Retainers(1)



Rectangular Connector Housings(12)



Rectangular Connector Keying Plugs(1)



Wire-to-Board Connector Assemblies & Housings(158)



Wire-to-Board Connector Contacts(24)

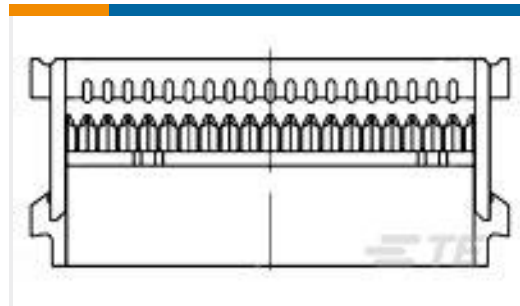
Customers Also Bought



TE Part #281838-6
HOUSING HE13 HE14 COSI 6 P



TE Part #3-640252-1
045 POST CONT 0126PTPBR



TE Part #1-1658526-1
609-1641LF FEM SOCKET, LEAD FREE



TE Part #3-2316113-4
2MM, REC, CNT, CRIMP, 24-28AWG, 0.1 UM, LP



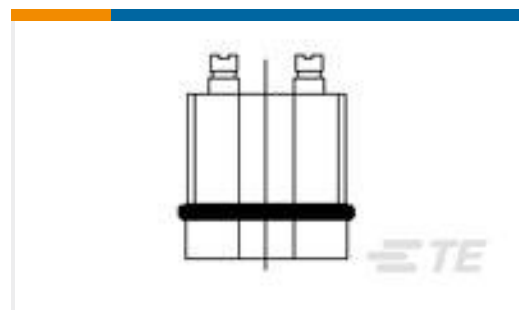
TE Part #2-320553-2
PIDG R 22-16 COMM 22-18 MIL 4



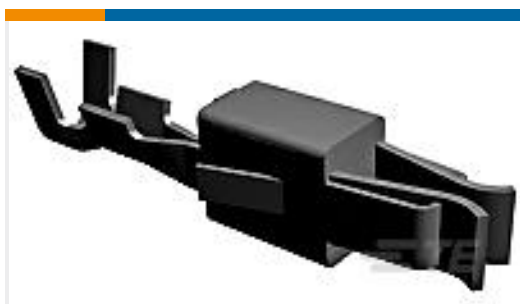
TE Part #1825010-4
ASE22RG04=DPDT AUTOSLIDE



TE Part #1241405-1
AMP MCP 6.3/4.8K, CONTACT, (LP)



TE Part #1-1103501-1
STA.6.Sti.S



TE Part #927781-1
JPT REC 2.8 Contact SRC Sn (LP)

Documents



Product Drawings

05P SL156 HSG W/O LCK RAMP

English

CAD Files

3D PDF

3D

Customer View Model

[ENG_CVM_CVM_640251-5_AL_c-640251-5-al.2d_dxf.zip](#)

English

Customer View Model

[ENG_CVM_CVM_640251-5_AL_c-640251-5-al.3d_igs.zip](#)

English

Customer View Model

[ENG_CVM_CVM_640251-5_AL_c-640251-5-al.3d_stp.zip](#)

English

By downloading the CAD file I accept and agree to the [Terms and Conditions](#) of use.

Datasheets & Catalog Pages

MTA, CST-100 II, SL-156 and AMP Economy Power (EP) Connectors

English

Product Specifications

Application Specification

English

Product Environmental Compliance

TE Material Declaration

English

Agency Approvals

Agency Approval Document

English