

LOC	DIST	REVISIONS					
		P	LTR	DESCRIPTION	DATE	DWN	APVD
CM	00	R3		REVISED PER ECR-17-018755	16APR2018	BDA	SG

1 MATERIAL: CONNECTOR-NYLON UL94V-2 (BLUE).  
CONTACTS-0.30 [.012] THICK COPPER ALLOY  
BRIGHT TIN-LEAD 0.00203 [.000080] MINIMUM  
THICK FOR CONTACTS 641536-2 THRU 1-641536-0,  
MATTE WHISKER MITIGATED TIN PLATE 0.00203 [.000080]  
MINIMUM THICK OVER NICKEL UNDERPLATE FOR CONTACTS  
3-641536-2 THRU 4-641536-0.

2 CONTACTS ACCEPT 26 AWG WIRE WITH 1.52[.060] MAX  
INSULATION DIAMETER.

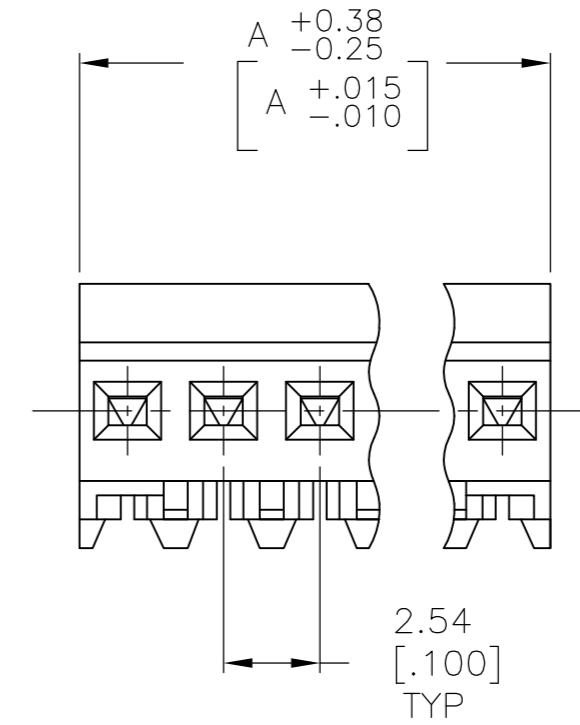
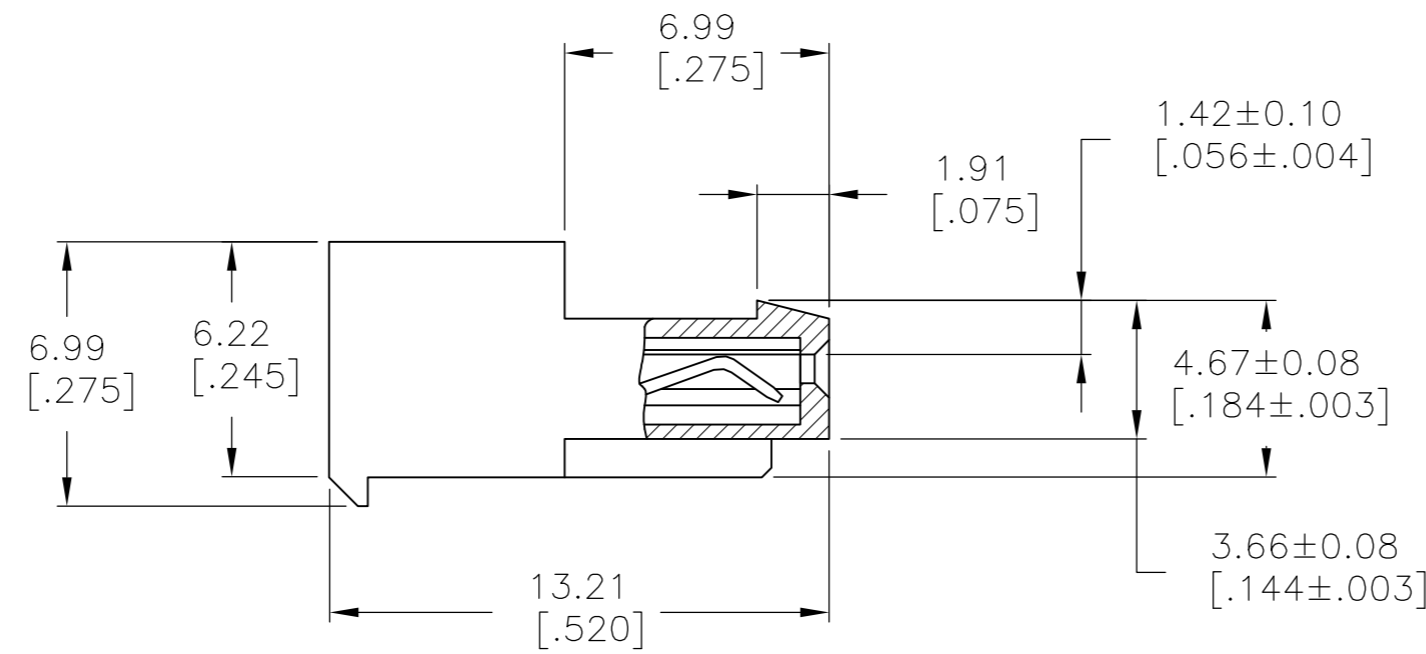
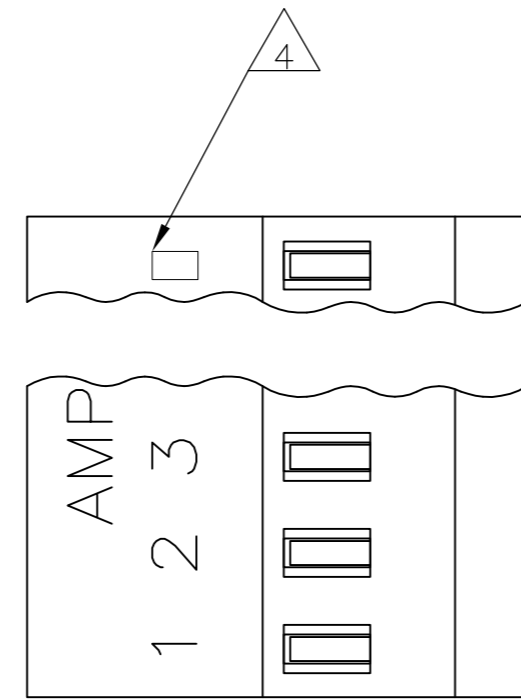
3 CONTACTS MUST ACCEPT 0.36-0.51[.014-.020] SQUARE  
OR ROUND POST AND REMAIN LOCKED IN POSITION.

4 IDENTIFICATION NUMBER FOR LAST CIRCUIT MAY  
NOT APPEAR ON ALL ASSEMBLIES.

5 DIMENSIONS IN BRACKETS ARE IN INCHES.

6 HOUSING FEATURES ARE: CLOSED END WITH LOCKING  
RAMP & LED CONTACT.

7 OBSOLETE PARTS




12.70[.500]	5	3-641536-5	
7.62[.300]	3	3-641536-3	
5.08[.200]	2	3-641536-2	


12.70[.500]	5	<del>641536-5</del>	SUPERSEDED 7
7.62[.300]	3	<del>641536-3</del>	SUPERSEDED 7
5.08[.200]	2	<del>641536-2</del>	OBSOLETE
DIM A	NO. OF CIRCUITS	PART NO.	

DIMENSIONS:		TOLERANCES UNLESS OTHERWISE SPECIFIED:		DWN		OBAUG2003		S. CARPENTER		TE Connectivity	
mm [INCHES]		0 PLC ± -		CHK		OBAUG2003		S. CARPENTER		NAME	
		1 PLC ± -		APVD		OBAUG2003		S. CARPENTER		MTA-100 CONNECTOR ASSEMBLY,	
MATERIAL 1		2 PLC ± -		PRODUCT SPEC		108-1050		APPLICATION SPEC		26 AWG, FOR .014 TO .020 POST,	
FINISH 1		3 PLC ± -		WEIGHT		114-1019		SIZE		RESTRICTED TO	
		4 PLC ± -		SCALE		5:1		SHEET		1 of 1	
		ANGLES ± -		CUSTOMER DRAWING		A2 00779		C=641536		REV R3	

641536

B

A