

5536649-1 ✓ ACTIVE

Z-PACK | Z-PACK Future Bus+

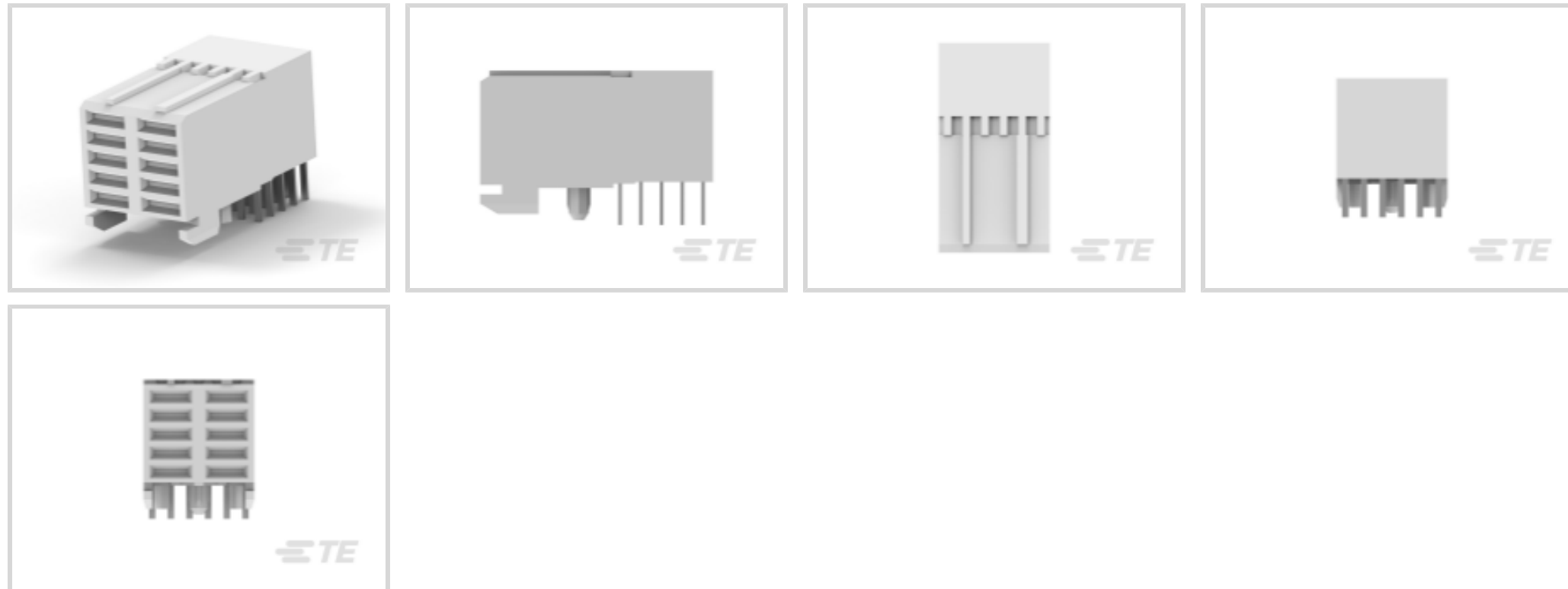
TE Internal #: 5536649-1

Rectangular Power Connectors, Connector Assembly, Receptacle,
Board-to-Board, 10 Position, .079 in [2 mm] Centerline, Z-PACK
Future Bus+

[View on TE.com >](#)



Connectors > Power Connectors > Rectangular Power > Rectangular Power Connectors



Rectangular Power Connector Type: **Connector Assembly**

Connector & Housing Type: **Receptacle**

Connector System: **Board-to-Board**

Number of Positions: **10**

Centerline (Pitch): **2 mm [.079 in]**

Features

Product Type Features

Rectangular Power Connector Type	Connector Assembly
Connector & Housing Type	Receptacle
Connector System	Board-to-Board
Sealable	No
Connector & Contact Terminates To	Printed Circuit Board

Configuration Features

Number of Positions	10
Interface Type	Futurebus+
PCB Mount Orientation	Right Angle
Number of Power Positions	10
Number of Signal Positions	0
Number of Rows	5

Electrical Characteristics

Operating Voltage	30 VDC
-------------------	--------



Contact Features

Contact Layout	Matrix
Contact Base Material	Phosphor Bronze
Contact Current Rating (Max)	3 A, 5 A
Contact Retention Within Housing	With
Contact Type	Receptacle
PCB Contact Termination Area Plating Material	Tin
Contact Mating Area Plating Material	Gold
Contact Mating Area Plating Material Thickness	.76 μm [30 μin]
Contact Termination Area Plating Thickness	1.27 μm [50 μin]

Termination Features

Termination Post & Tail Length	3.56 mm[.14 in]
Termination Method to Printed Circuit Board	Through Hole - Press-Fit, Through Hole - Solder

Mechanical Attachment

Mating Alignment Type	Polarizing Rib
PCB Mount Retention	With
PCB Mount Retention Type	Solder Peg
Connector Mounting Type	Board Mount

Housing Features

Centerline (Pitch)	2 mm[.079 in]
Housing Color	Natural
Housing Material	LCP (Liquid Crystal Polymer)

Dimensions

Row-to-Row Spacing	2 mm[.079 in]
Height	13.3 mm[.523 in]

Usage Conditions

Operating Temperature Range	-55 – 125 $^{\circ}\text{C}$ [-67 – 257 $^{\circ}\text{F}$]
-----------------------------	--

Operation/Application

Circuit Application	Power
---------------------	-------

Industry Standards

UL Flammability Rating	UL 94V-0
------------------------	----------



Glow Wire Rating

Standard Part - Not Glow Wire

Packaging Features

Packaging Method

Tube

Packaging Quantity

48

Other

For Use With

Plug

Product Compliance

[For compliance documentation, visit the product page on TE.com>](#)

EU RoHS Directive 2011/65/EU

Compliant

EU ELV Directive 2000/53/EC

Compliant

China RoHS 2 Directive MIIT Order No 32, 2016

No Restricted Materials Above Threshold

EU REACH Regulation (EC) No. 1907/2006

Current ECHA Candidate List: JUNE 2022
(224)
Candidate List Declared Against: JAN 2022
(223)
SVHC > Threshold:
Not Yet Reviewed

Halogen Content

Low Halogen - Br, Cl, F, I < 900 ppm per
homogenous material. Also BFR/CFR/PVC
Free

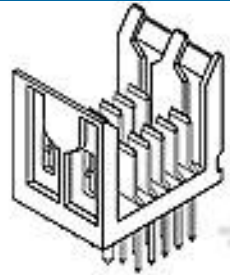
Solder Process Capability

Not applicable for solder process capability

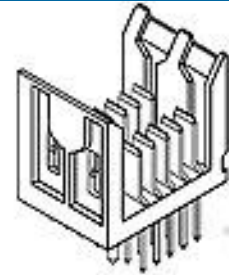
Product Compliance Disclaimer

This information is provided based on reasonable inquiry of our suppliers and represents our current actual knowledge based on the information they provided. This information is subject to change. The part numbers that TE has identified as EU RoHS compliant have a maximum concentration of 0.1% by weight in homogenous materials for lead, hexavalent chromium, mercury, PBB, PBDE, DBP, BBP, DEHP, DIBP, and 0.01% for cadmium, or qualify for an exemption to these limits as defined in the Annexes of Directive 2011/65/EU (RoHS2). Finished electrical and electronic equipment products will be CE marked as required by Directive 2011/65/EU. Components may not be CE marked. Additionally, the part numbers that TE has identified as EU ELV compliant have a maximum concentration of 0.1% by weight in homogenous materials for lead, hexavalent chromium, and mercury, and 0.01% for cadmium, or qualify for an exemption to these limits as defined in the Annexes of Directive 2000/53/EC (ELV). Regarding the REACH Regulation, the information TE provides on SVHC in articles for this part number is based on the latest European Chemicals Agency (ECHA) 'Guidance on requirements for substances in articles' posted at this URL: <https://echa.europa.eu/guidance-documents/guidance-on-reach>

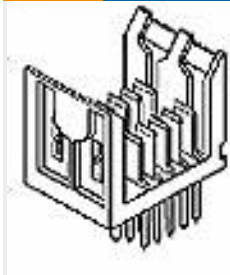
Compatible Parts

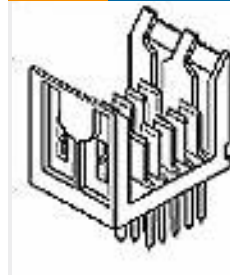
TE Part # 5536642-1
FB-5R,ASY,010,PWR,HDR,EN,4.25



TE Part # 5536642-7
FB-5R,ASY,010,PWR,HDR,EN,SEQ



TE Part # 5536673-1
FB-5R,ASY,010,PWR,HER,EN,SEQ



TE Part # 5536684-1
FB-5R,ASY,010,PWR,HER,EN,4.25


Also in the Series | Z-PACK Future Bus+



Backplane Connector Housings(19)

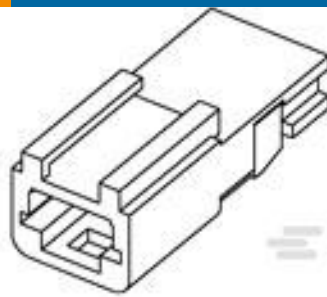


Hard Metric Backplane Connectors(1)



Rectangular Power Connectors(35)

Customers Also Bought



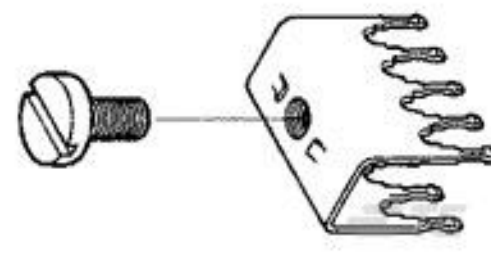
TE Part #1612035-2
025 G 4POS CAP W TO W



TE Part #6469081-1
HMZD 3PR, RECEPTACLE ASSEMBLY



TE Part #6469083-1
HMZD 3PAIR, HDR ASSY, 25MM MOD



TE Part #5055558-3
10 PWR TAP CONT PLTD STD .100



TE Part #6469028-1
HM-ZD 2PR RECP 40P



TE Part #6469025-1
HM-ZD 2PR HDR 40P 2.5MM



TE Part #3-1419153-5
PCFN-112D2M,000



TE Part #DTS20W25-35SN
RECP ASSY



TE Part #1-147323-9
20 MTE HDR SRRA SMT.100CL



Documents

Product Drawings

[2MM FB,ASY,010,PWR,REC,EN,SEQ](#)

English

CAD Files

[3D PDF](#)

3D

Customer View Model

[ENG_CVM_CVM_5536649-1_O.2d_dxf.zip](#)

English

Customer View Model

[ENG_CVM_CVM_5536649-1_O.3d_igs.zip](#)

English

Customer View Model

[ENG_CVM_CVM_5536649-1_O.3d_stp.zip](#)

English

By downloading the CAD file I accept and agree to the [Terms and Conditions](#) of use.

Datasheets & Catalog Pages

[POWER_CONNECTORS_CATALOG_SEC01_BOARD_TO_BOARD](#)

English

Product Specifications

[Application Specification](#)

English

Product Environmental Compliance

[MD_5536649-1_071620182152_dmtec](#)

English

[MD_5536649-1_071620182152_dmtec](#)

English