

5745175-1 ✓ ACTIVE

AMPLIMITE | AMPLIMITE Kit

TE Internal #: 5745175-1

D-Sub Backshells & Clamps, Cable Clamp Kit, Two-Piece RFI/EMI Shield, 50 Position, Size 5, Shielded, Cable Exit Angle 180° (In-Line), AMPLIMITE Kit

[View on TE.com >](#)



Connectors > D-Shaped Connectors > D-Sub Accessories > D-Sub Backshells & Clamps



D-Shaped Connector Accessories: **Cable Clamp Kit**

Cable Clamp Type: **Two-Piece RFI/EMI Shield**

Number of Positions: **50**

Compatible With Connector Shell Size: **5**

Shielded: **Yes**

Features

Product Type Features

Grommets	Without
Product Type	Accessory
D-Shaped Connector Accessories	Cable Clamp Kit

Configuration Features

Number of Positions	50
---------------------	----

Body Features

Shield Plating Material	Nickel over Copper
Cable Clamp Material	Die Cast
Shield Plating Finish	Bright
Cable Clamp Type	Two-Piece RFI/EMI Shield
Cable Exit Angle	180° (In-Line)

Mechanical Attachment

Screw & Hole Thread Size	4-40
--------------------------	------



Dimensions

Cable Insulation Diameter Range	19.05 mm[.75 in]
---------------------------------	------------------

Usage Conditions

Operating Temperature Range	-55 – 85 °C[-67 – 185 °F]
-----------------------------	---------------------------

Operation/Application

For Use With	Plug/Receptacle
--------------	-----------------

Compatible With Connector Shell Size	5
--------------------------------------	---

Shielded	Yes
----------	-----

Packaging Features

Packaging Quantity	1
--------------------	---

Packaging Method	Bag
------------------	-----

Other

Comment	All parts are packaged unassembled., Jackscrews must be purchased separately., Shielded cable clamps will not accept connector housings with clinch nuts.
---------	---

Long Turnable Jackscrew Part Number	747784-3
-------------------------------------	----------

Product Compliance

[For compliance documentation, visit the product page on TE.com>](#)

EU RoHS Directive 2011/65/EU	Compliant
------------------------------	-----------

EU ELV Directive 2000/53/EC	Compliant
-----------------------------	-----------

China RoHS 2 Directive MIIT Order No 32, 2016	No Restricted Materials Above Threshold
---	---

EU REACH Regulation (EC) No. 1907/2006	Current ECHA Candidate List: JUNE 2022 (224) Candidate List Declared Against: JAN 2022 (223) SVHC > Threshold: Not Yet Reviewed
--	--

Halogen Content	Low Halogen - Br, Cl, F, I < 900 ppm per homogenous material. Also BFR/CFR/PVC Free
-----------------	---

Solder Process Capability	Not applicable for solder process capability
---------------------------	--

Product Compliance Disclaimer

This information is provided based on reasonable inquiry of our suppliers and represents our current actual knowledge based on the information they provided. This information is subject to change. The part numbers that TE has identified as EU RoHS compliant have a maximum concentration of 0.1% by weight in homogenous materials for lead, hexavalent



chromium, mercury, PBB, PBDE, DBP, BBP, DEHP, DIBP, and 0.01% for cadmium, or qualify for an exemption to these limits as defined in the Annexes of Directive 2011/65/EU (RoHS2). Finished electrical and electronic equipment products will be CE marked as required by Directive 2011/65/EU. Components may not be CE marked. Additionally, the part numbers that TE has identified as EU ELV compliant have a maximum concentration of 0.1% by weight in homogenous materials for lead, hexavalent chromium, and mercury, and 0.01% for cadmium, or qualify for an exemption to these limits as defined in the Annexes of Directive 2000/53/EC (ELV). Regarding the REACH Regulation, the information TE provides on SVHC in articles for this part number is based on the latest European Chemicals Agency (ECHA) 'Guidance on requirements for substances in articles' posted at this URL: <https://echa.europa.eu/guidance-documents/guidance-on-reach>

Compatible Parts

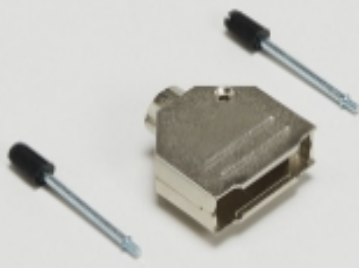


TE Part # 745255-2
SPRING LATCH 2/BAG



TE Part # 1-745508-2
FERRULE SPLIT RING, HD

Also in the Series | AMPLIMITE Kit




D-Sub Backshells & Clamps(135)



D-Sub Contact Accessories(1)



D-Sub Covers(3)



D-Sub Locking & Mounting(122)

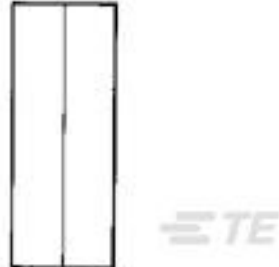
Customers Also Bought



TE Part #2-1879443-3
TE 80W 68R 5% Bracket



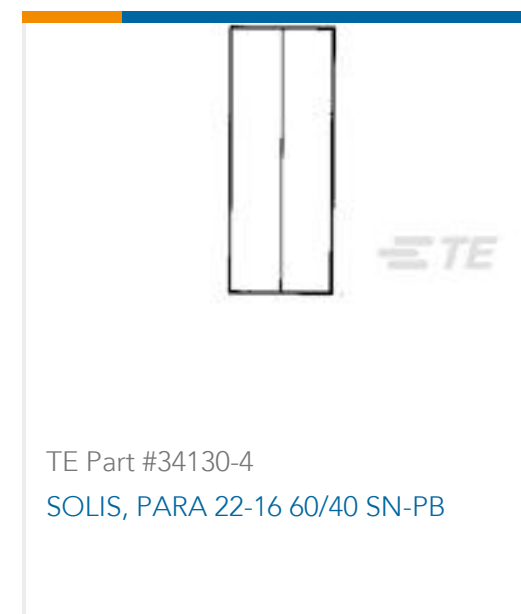
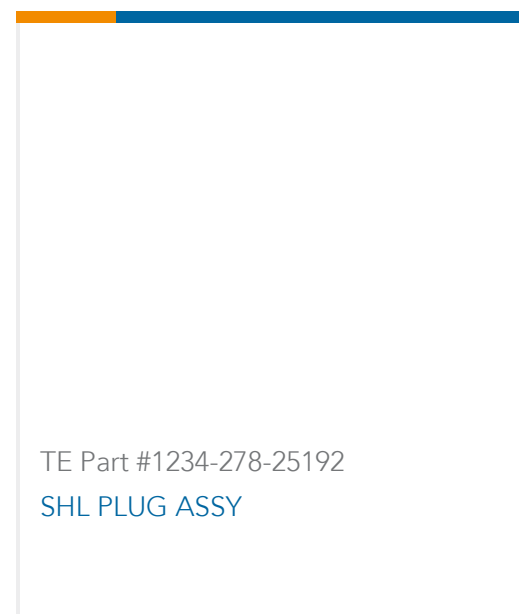
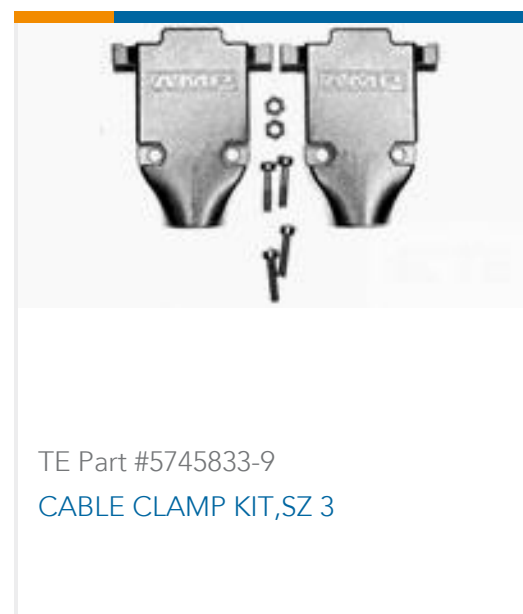
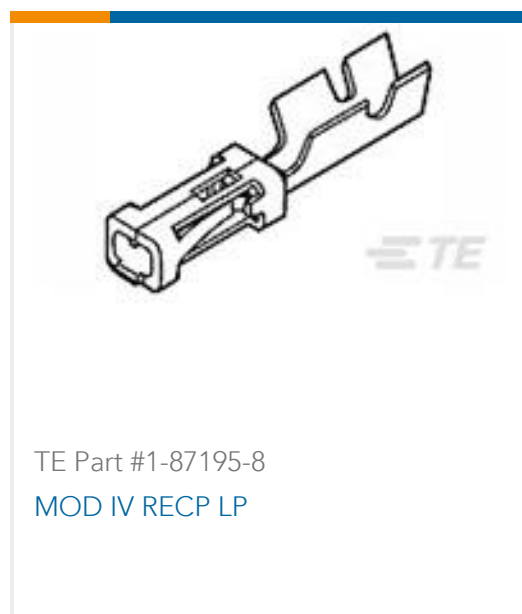
TE Part #3-2176094-0
RP 2A 0.25W 243K 0.1% 25PPM 1K RL



TE Part #34320-1
SOLIS, PARA 4 60/40 SN-PB



TE Part #5745171-5
AMPL CBL CLMP KIT SZ 1



Documents

Product Drawings

CABLE CLAMP KIT, SZ 5

English

CAD Files

3D PDF

English

Customer View Model

[ENG_CVM_5745175-1_O.2d_dxf.zip](#)

English

Customer View Model

[ENG_CVM_5745175-1_O.3d_igs.zip](#)

English

Customer View Model

[ENG_CVM_5745175-1_O.3d_stp.zip](#)

English

By downloading the CAD file I accept and agree to the [Terms and Conditions](#) of use.

Datasheets & Catalog Pages

AMPLIMITE Subminiature D Connectors - Cable Connectors

English

AMPLIMITE Cable Connectors and Shielding Hardware Kits QRG

English

Product Specifications

Product Specification

English



Product Specification

English

Product Environmental Compliance

TE Material Declaration

English

Instruction Sheets

Instruction Sheet (U.S.)

English