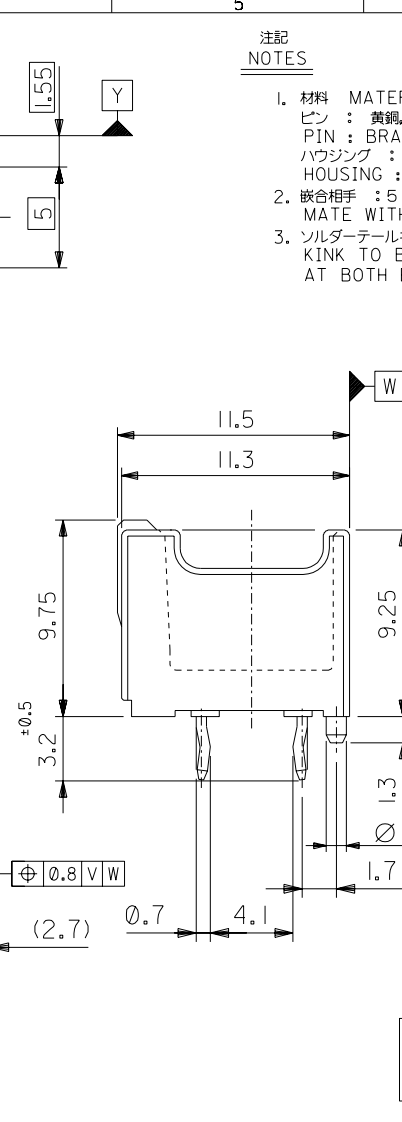
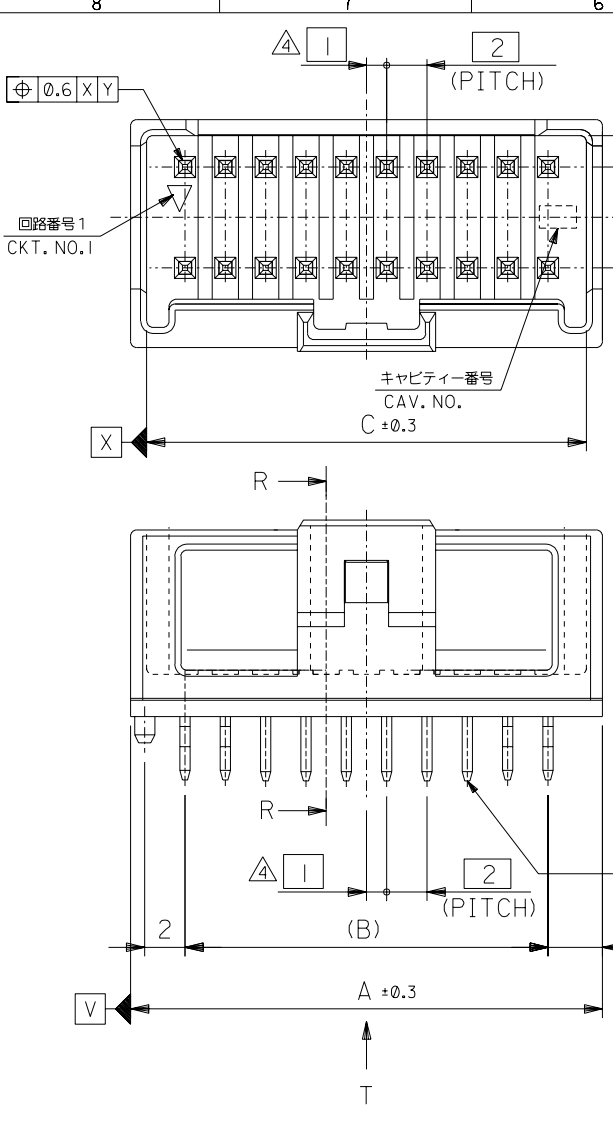


DO NOT SCALE DRAWING

|   |   |   |   |  |
|---|---|---|---|--|
| REVISED<br>#64 NO. J2003-3290<br>DRWN:N.ITO '03/06/26<br>CHK: K.ASAKAWA<br>APPR:T.YAMAGUCHI | REVISED<br>#63 NO. J2003-3134<br>DRWN:N.ITO '03/06/19<br>CHK: K.ASAKAWA<br>APPR:T.YAMAGUCHI | REVISED<br>#62 NO. J2002-2307<br>DRWN:N.ITO '02/03/18<br>CHK: K.ASAKAWA<br>APPR:T.YAMAGUCHI | REVISED<br>#61 NO. J2002-1826<br>DRWN:N.ITO '02/02/28<br>CHK: K.ASAKAWA<br>APPR:T.YAMAGUCHI | RELEASED<br>#60 NO. J2002-1196<br>DRWN:N.ITO '01/12/17<br>CHK: K.ASAKAWA<br>APPR:T.YAMAGUCHI |
| D   | C   | B   | A   | 0  |



無鉛  
LEAD FREE

注記  
NOTES

- 材料 MATERIAL  
ピン : 黄銅, ニッケル下地鍍メッキ  
PIN : BRASS, Sn OVER Ni PLATED  
ハウジング : PBT (ガラス入り: 15%), UL94V-0  
HOUSING : PBT(G.F.: 15%), UL94V-0
- 嵌合相手 : 51353シリーズ  
MATE WITH : 51353 SERIES
- ソルダータールキンは、両端の8ピンのみとする。  
KINK TO BE APPLIED FOR 8 PINS AT BOTH ENDS.

△ (全極数/2) = 偶数の場合に適用。  
APPLY FOR (CIRCUIT/2)=EVEN

△ 製品番号  
MATERIAL NO.  
55917-\*\*\*|\*  
極数CIRCUIT SIZE | 色 COLOR

|                              |   |
|------------------------------|---|
| ナチュラル (白)<br>NATURAL (WHITE) | 0 |
| 黒<br>BLACK                   | 1 |
| 赤<br>RED                     | 2 |
| 黄<br>YELLOW                  | 3 |
| 青<br>BLUE                    | 4 |
| 桃<br>PINK                    | 5 |
| 緑<br>GREEN                   | 6 |
| 茶<br>BROWN                   | 7 |
| 橙<br>ORANGE                  | 8 |
| 紫<br>VIOLET                  | 9 |

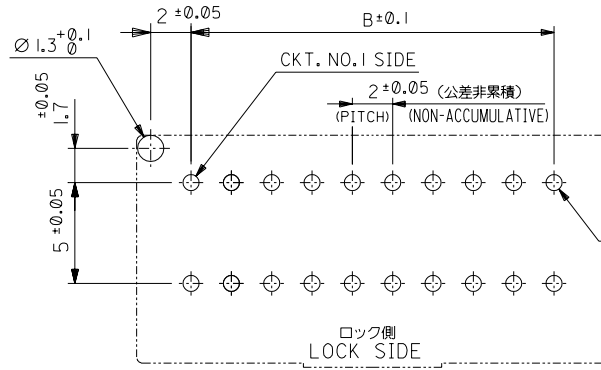
|      |    |      |              |      |
|------|----|------|--------------|------|
| 41.8 | 38 | 43.4 | 55917-401*   | 40   |
| 39.8 | 36 | 41.4 | -381*        | 38   |
| 37.8 | 34 | 39.4 | -361*        | 36   |
| 35.8 | 32 | 37.4 | -341*        | 34   |
| 33.8 | 30 | 35.4 | -321*        | 32   |
| 31.8 | 28 | 33.4 | -301*        | 30   |
| 29.8 | 26 | 31.4 | -281*        | 28   |
| 27.8 | 24 | 29.4 | -261*        | 26   |
| 25.8 | 22 | 27.4 | -241*        | 24   |
| 23.8 | 20 | 25.4 | -221*        | 22   |
| 21.8 | 18 | 23.4 | -201*        | 20   |
| 19.8 | 16 | 21.4 | -181*        | 18   |
| 17.8 | 14 | 19.4 | -161*        | 16   |
| 15.8 | 12 | 17.4 | -141*        | 14   |
| 13.8 | 10 | 15.4 | -121*        | 12   |
| 11.8 | 8  | 13.4 | -101*        | 10   |
| 9.8  | 6  | 11.4 | 55917-081*   | 8    |
| C    | B  | A    | MATERIAL NO. | CKT. |

|                      |                   |
|----------------------|-------------------|
| MATERIAL<br>材料       | 注記参照<br>SEE NOTES |
| FINISH<br>仕上げ        | //                |
| WIRE RANGE<br>適用線径範囲 | //                |
| INS. RANGE<br>被覆外径   | //                |

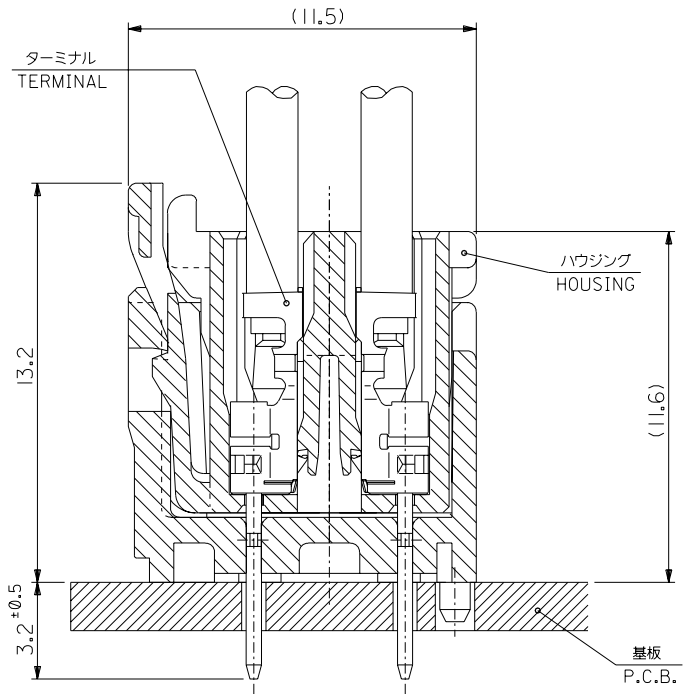
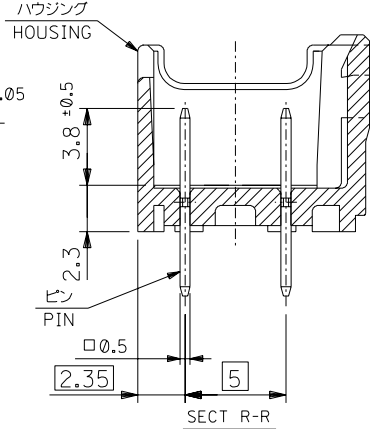
|   |                        |       |
|---|------------------------|-------|
| GENERAL TOLERANCES:<br>(UNLESS SPECIFIED)<br>一般公差 | 10 UNDER<br>未滿         | ±0.2  |
|   | 10 OVER 30 UNDER<br>未滿 | ±0.25 |
|   | 30 OVER<br>以上          | ±0.3  |
| ANGLE<br>角度                                       |                        | ±3°   |

|  |  |   |   |                               |  |  |  |
|--|--|---|---|-------------------------------|--|--|--|
| 55917-*** *  |  | MODEL NO.   | DIMENSIONS:<br>DIMENSIONAL ANGLE PROJECTION |                               | SHT                                    | REV                                      |  |
| SCALE  | DESIGN UNITS                             | 20°   | <input type="checkbox"/> mm                 | <input type="checkbox"/> INCH | <input checked="" type="checkbox"/> mm | <input checked="" type="checkbox"/> INCH |  |
| DRAWN BY & DATE<br>N.ITO '01/12/17   | CHECKED BY & DATE<br>K.ASAKAWA '03/06/26 | TITLE:<br>2.0mm W+-B DUAL CONN DIP<br>PLUG HOUSING ASS'Y ST (WITH BOSS) |   |                               |  |  |  |
| APPROVED BY & DATE<br>T.YAMAGUCHI '03/06/26  |  | MOLEX INCORPORATED  |   |                               |  |  |  |
| CAD FILENAME<br>55917003.S01   | MATERIAL NO.<br>SEE CHART                | DRAWING NO.<br>SD-55917-003   | SHEET NO.<br>1 OF 2                         |                               |  |  |  |
| * THIS DRAWING CONTAINS INFORMATION THAT IS PROPRIETARY TO MOLEX INCORPORATED AND SHOULD NOT BE USED WITHOUT WRITTEN PERMISSION. |  |   |   |                               |  | SIZE<br>B                                |  |

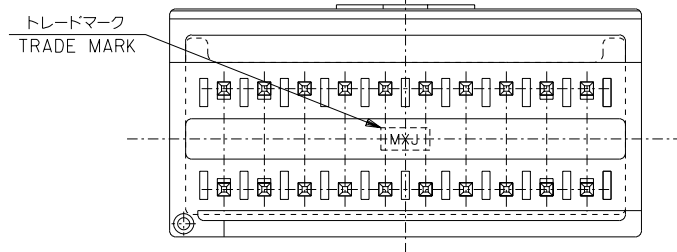
DWG. NO. SD-55917-003



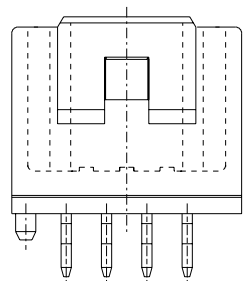
基板取付穴推奨寸法 (マウント面)  
RECOMMENDED P.C.BOARD  
HOLE DIMENSION  
(MOUNTING SIDE)  
(t = 1.6)



嵌合断面図 (参考)  
MATED DRAWING (REF.)



VIEW \*T\*



8 CIRCUIT

無鉛  
LEAD FREE

DO NOT SCALE DRAWING

|  |  |  |  |   |                                     |                     |                            |                          |
|--|--|--|--|---|-------------------------------------|---------------------|----------------------------|--------------------------|
| REVISED<br>#64NO. J2003-3290<br>DRWN:N.ITO '03/06/26<br>CHK: K.ASAKAWA<br>APPR:T.YAMAGUCHI | REVISED<br>#63NO. J2003-3134<br>DRWN:N.ITO '03/06/19<br>CHK: K.ASAKAWA<br>APPR:T.YAMAGUCHI | REVISED<br>#62NO. J2002-2307<br>DRWN:N.ITO '02/03/18<br>CHK: K.ASAKAWA<br>APPR:T.YAMAGUCHI | REVISED<br>#61NO. J2002-1826<br>DRWN:N.ITO '02/02/28<br>CHK: K.ASAKAWA<br>APPR:T.YAMAGUCHI | RELEASED<br>#60NO. J2002-1196<br>DRWN:N.ITO '01/12/17<br>CHK: K.ASAKAWA<br>APPR:T.YAMAGUCHI | MATERIAL<br>材料<br>注記参照<br>SEE NOTES | FINISH<br>仕上げ<br>// | WIRE RANGE<br>適用線径範囲<br>// | INS. RANGE<br>被覆外径<br>// |
|--|--|--|--|---|-------------------------------------|---------------------|----------------------------|--------------------------|

|   |       |
|---|-------|
| GENERAL TOLERANCES:<br>(UNLESS SPECIFIED)<br>一般公差 |       |
| 10 UNDER<br>未満                                    | ±0.2  |
| 10 OVER 30 UNDER<br>以上 未満                         | ±0.25 |
| 30 OVER<br>以上                                     | ±0.3  |
| ANGLE<br>角度                                       | ±3°   |

|  |                         |  |                             |                     |           |             |
|--|-------------------------|--|-----------------------------|---------------------|-----------|-------------|
| 55917-***  |                         | MODEL NO.  | DIMENSIONS:                 |                     | SHT       | REV         |
| SCALE<br>4:1   | DESIGN UNITS<br>mm INCH | PROJECTION<br>2D 3D  | mm INCH                     | mm ONLY             | 2         | ON CAD ONLY |
| DRAWN BY & DATE<br>N.ITO '01/12/17   |                         | TITLE:<br>2.0mm W-t-B DUAL CONN DIP<br>PLUG HOUSING ASS'Y ST (WITH BOSS) |                             |                     |           |             |
| CHECKED BY & DATE<br>K.ASAKAWA '03/06/26   |                         | APPROVED BY & DATE<br>T.YAMAGUCHI '03/06/26                              |                             |                     |           |             |
| CAD FILENAME<br>55917003.S02   |                         | MATERIAL NO.<br>SEE CHART  | DRAWING NO.<br>SD-55917-003 | SHEET NO.<br>2 OF 2 |           |             |
| MOLEX INCORPORATED   |                         |  |                             |                     |           |             |
| * THIS DRAWING CONTAINS INFORMATION THAT IS PROPRIETARY TO MOLEX INCORPORATED AND SHOULD NOT BE USED WITHOUT WRITTEN PERMISSION. |                         |  |                             |                     |           |             |
|  |                         |  |                             |                     | SIZE<br>B |             |