



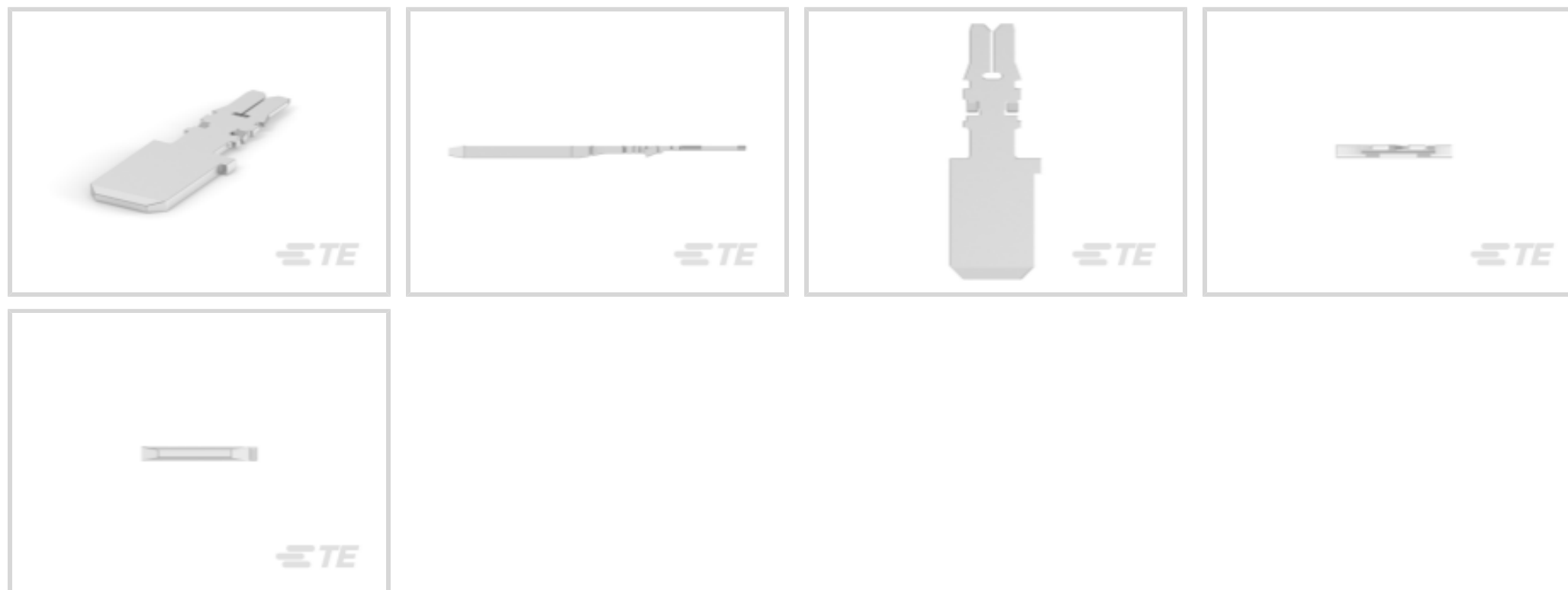
**MAG-MATE**

TE Internal #: 63743-2

Magnet Wire Terminals, Tab, Mating Tab Width .25 in [6.35 mm],  
Special, 28 – 25 AWG Aluminum Wire, .32 – .45 mm Aluminum  
Wire, MAG-MATE

[View on TE.com >](#)

Terminals & Splices > Magnet Wire Terminals



Magnet Wire Terminal Type: **Tab**  
 Mating Tab Width: **6.35 mm [ .25 in ]**  
 Mating Tab Thickness: **.8 mm [ .031 in ]**  
 Compatible With Cavity Size: **Special**  
 Aluminum Wire Size: **.32 – .45 mm**

**Features**

**Product Type Features**

Compatible With Discrete Wire Type	Magnet Wire, Solid
Sealable	No

**Body Features**

Compatible With Cavity Size	Special
-----------------------------	---------

**Contact Features**

Magnet Wire Terminal Type	Tab
Mating Tab Width	6.35 mm[.25 in]
Mating Tab Thickness	.8 mm[.031 in]
Terminal Plating Material	Tin
Terminal Orientation	Straight

**Termination Features**

Termination Method to Wire & Cable	Insulation Displacement (IDC)
------------------------------------	-------------------------------

**Mechanical Attachment**

--	--



Contact Mating Retention Type	Dimple
-------------------------------	--------

Wire Insulation Support	With
-------------------------	------

### Dimensions

Terminal Height	19.1 mm [.752 in]
-----------------	-------------------

Aluminum Wire Size	28 – 25 AWG
--------------------	-------------

Magnet Wire Size	30 – 28 AWG
------------------	-------------

Stock Thickness (Magnet Wire Side)	.3 mm [.012 in]
------------------------------------	-----------------

Overall Product Length	19.1 mm [.752 in]
------------------------	-------------------

### Usage Conditions

Insulation Option	Uninsulated
-------------------	-------------

Operating Temperature Range	-65 – 150 °C [-85 – 302 °F]
-----------------------------	-----------------------------

### Operation/Application

Compatible With Wire Base Material	Copper
------------------------------------	--------

### Identification Marking

Identification Number	6
-----------------------	---

### Packaging Features

Packaging Quantity	11000
--------------------	-------

Packaging Method	Package, Reel/Carton
------------------	----------------------

### Other

Comment	Two magnet wires may be terminated in the same terminal slot if diameters are equal.
---------	--

### Product Compliance

[For compliance documentation, visit the product page on TE.com>](#)

EU RoHS Directive 2011/65/EU	Compliant
------------------------------	-----------

EU ELV Directive 2000/53/EC	Compliant
-----------------------------	-----------

China RoHS 2 Directive MIIT Order No 32, 2016	No Restricted Materials Above Threshold
---	---

EU REACH Regulation (EC) No. 1907/2006	Current ECHA Candidate List: JUNE 2022 (224) Candidate List Declared Against: JAN 2022 (223) SVHC > Threshold: Not Yet Reviewed
--	--

Halogen Content	Low Halogen - Br, Cl, F, I < 900 ppm per
-----------------	--

homogenous material. Also BFR/CFR/PVC Free

Solder Process Capability

Not applicable for solder process capability

Product Compliance Disclaimer

This information is provided based on reasonable inquiry of our suppliers and represents our current actual knowledge based on the information they provided. This information is subject to change. The part numbers that TE has identified as EU RoHS compliant have a maximum concentration of 0.1% by weight in homogenous materials for lead, hexavalent chromium, mercury, PBB, PBDE, DBP, BBP, DEHP, DIBP, and 0.01% for cadmium, or qualify for an exemption to these limits as defined in the Annexes of Directive 2011/65/EU (RoHS2). Finished electrical and electronic equipment products will be CE marked as required by Directive 2011/65/EU. Components may not be CE marked. Additionally, the part numbers that TE has identified as EU ELV compliant have a maximum concentration of 0.1% by weight in homogenous materials for lead, hexavalent chromium, and mercury, and 0.01% for cadmium, or qualify for an exemption to these limits as defined in the Annexes of Directive 2000/53/EC (ELV). Regarding the REACH Regulation, the information TE provides on SVHC in articles for this part number is based on the latest European Chemicals Agency (ECHA) 'Guidance on requirements for substances in articles' posted at this URL: <https://echa.europa.eu/guidance-documents/guidance-on-reach>

## Compatible Parts



TE Part # 62651-1  
MAG-MATE 250FTAB 30-27 013TPBR



TE Part # 63720-2  
TAB,250 MAG-MATE SLIM LN 19-17



TE Part # 62430-1  
MAG-MATE POST 28-30 013 TPBR



TE Part # 63027-1  
MAGMATE 250F-TAB 30-27 TPBR.



TE Part # 63716-2  
TAB,250 MAG-MATE SLIM LN 33-31



TE Part # 63717-2  
TAB,250 MAG-MATE SLIM LN 30-27



TE Part # 63719-2  
TAB,250 MAG-MATE SLIM LN 23-20



TE Part # 63740-2  
TAB,250 MAG-MATE SLIM LN 19-17



TE Part # 63744-1  
TAB, 250 MAG-MATE SL 33-31 4M



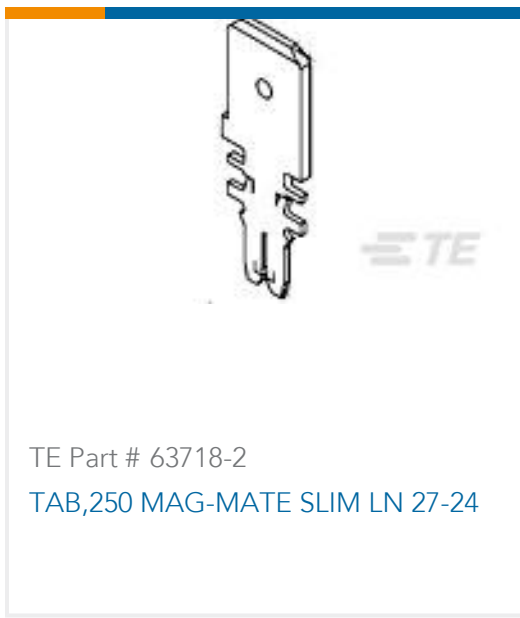
TE Part # 63744-2  
TAB, 250 MAG-MATE SL 33-31 082



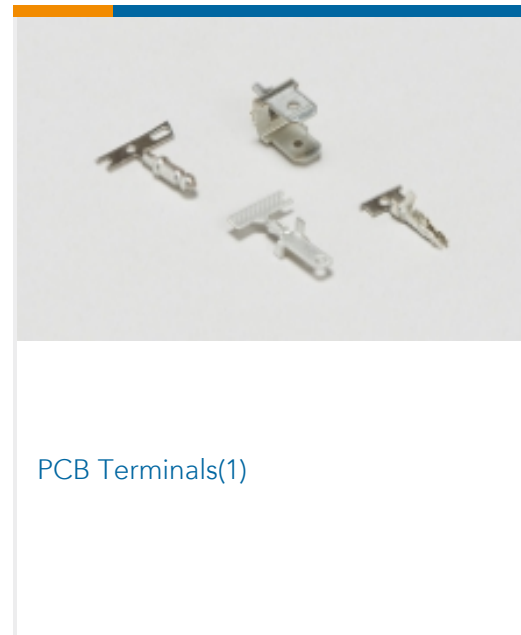
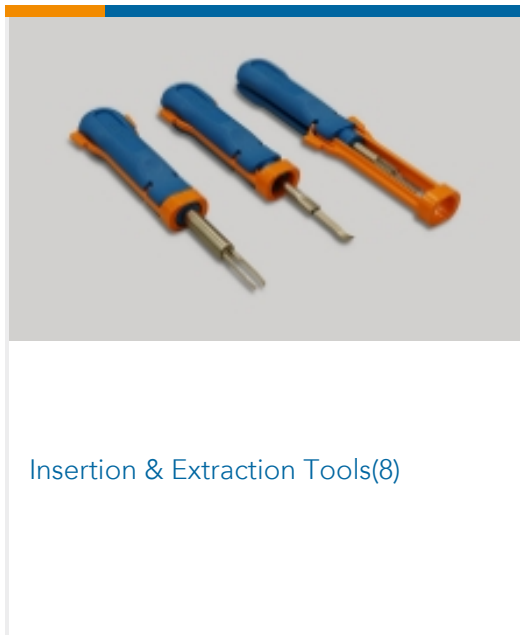
TE Part # 63898-1  
MAG-MATE 250FTAB 30-27 TPBR



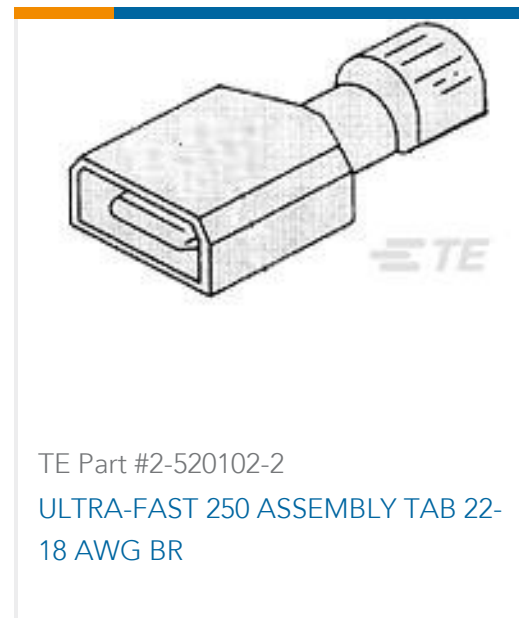
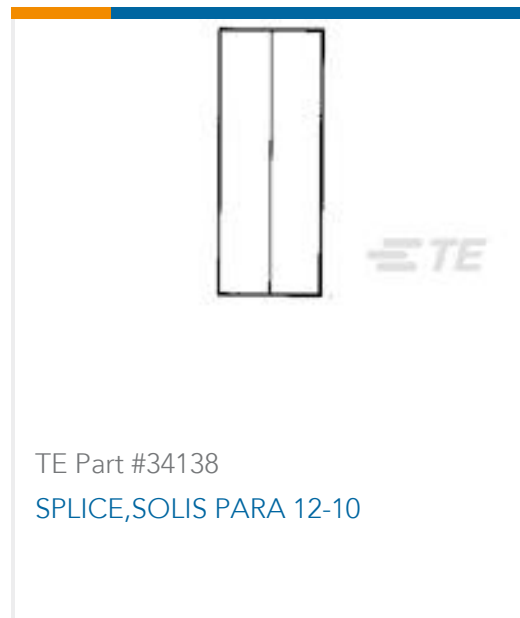
TE Part # 63903-1  
MAG-MATE SLIM LINE POSTED TPBR



Also in the Series | **MAG-MATE**



Customers Also Bought



Documents

Product Drawings

TAB 250 MAGMATE SLIM LN 30-27

English

CAD Files

3D PDF

3D



**Customer View Model**

[ENG\\_CVM\\_CVM\\_63743-2\\_J.2d\\_dxf.zip](#)

English

**Customer View Model**

[ENG\\_CVM\\_CVM\\_63743-2\\_J.3d\\_igs.zip](#)

English

**Customer View Model**

[ENG\\_CVM\\_CVM\\_63743-2\\_J.3d\\_stp.zip](#)

English

By downloading the CAD file I accept and agree to the [Terms and Conditions](#) of use.

---

**Datasheets & Catalog Pages**

[Magnet Wire Terminals & Splices](#)

English

---

**Product Specifications**

[Application Specification](#)

English

---

**Product Environmental Compliance**

[Product Compliance](#)

English

[Product Compliance](#)

English