

63562-1 ✓ ACTIVE



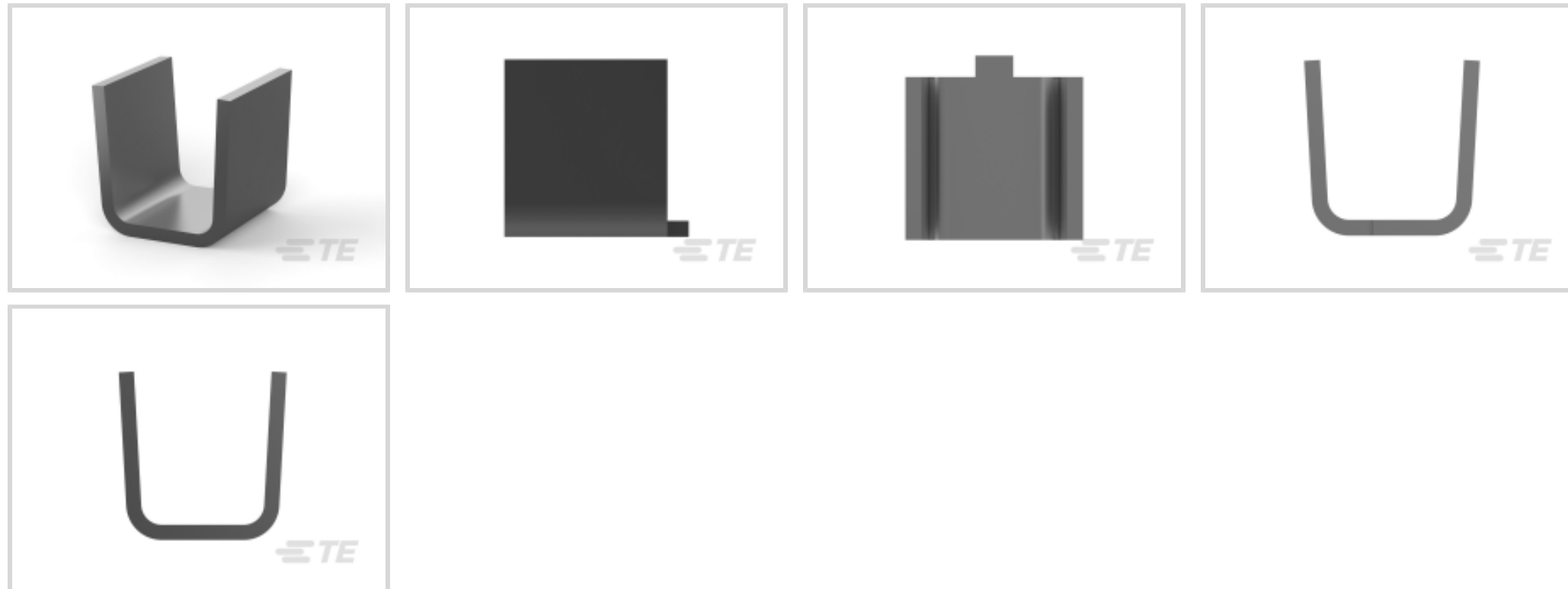
AMPLIVAR

TE Internal #: 63562-1

Splices, 10 – 7.5 AWG Wire Size, 5 – 11.5 mm² Wire Size, Splice
Capacity 3, 10400 – 22900 CMA Wire Size, Brass, Thru Splice Splice,
Serrated, AMPLIVAR

[View on TE.com >](#)

Terminals & Splices > Splices



Wire Size: 10400 – 22900 CMA

Sealable: No

Splice Capacity: 3

Features

Product Type Features

Sealable	No
Splice Type	Thru Splice
Serrated	Yes
Compatible With Discrete Wire Type	Magnet Wire, Solid

Configuration Features

Strip Orientation	Side Feed
Splice Capacity	3
Number of Serrations	5

Electrical Characteristics

Operating Voltage	250 V
-------------------	-------

Body Features

Weight per Piece	.972 g
Plating Material	Tin
Primary Product Material	Brass

Contact Features



Contact Plating Material	Tin
--------------------------	-----

Barrel Type	Open
-------------	------

Termination Features

Crimp Width	7.62 mm[.3 in]
-------------	----------------

Mechanical Attachment

Wire Insulation Support	Without
-------------------------	---------

Dimensions

Wire Size	10400 – 22900 CMA
-----------	-------------------

Terminal Material Thickness	.76 mm[.03 in]
-----------------------------	----------------

Overall Product Length	7.87 mm[.31 in]
------------------------	-----------------

Usage Conditions

Insulation Option	Uninsulated
-------------------	-------------

Operating Temperature Range	-65 – 150 °C[-85 – 302 °F]
-----------------------------	----------------------------

Operation/Application

Heavy Duty	No
------------	----

Compatible With Wire Base Material	Copper
------------------------------------	--------

Industry Standards

Government Qualified Splice	No
-----------------------------	----

Packaging Features

Packaging Quantity	1200
--------------------	------

Packaging Method	Strip
------------------	-------

Product Compliance

[For compliance documentation, visit the product page on TE.com>](#)

EU RoHS Directive 2011/65/EU	Compliant
------------------------------	-----------

EU ELV Directive 2000/53/EC	Compliant
-----------------------------	-----------

China RoHS 2 Directive MIIT Order No 32, 2016	No Restricted Materials Above Threshold
---	---

EU REACH Regulation (EC) No. 1907/2006	Current ECHA Candidate List: JUNE 2022 (224) Candidate List Declared Against: JAN 2022 (223) SVHC > Threshold: Not Yet Reviewed
--	--

Halogen Content	Low Halogen - Br, Cl, F, I < 900 ppm per
-----------------	--



homogenous material. Also BFR/CFR/PVC Free

Solder Process Capability

Not applicable for solder process capability

Product Compliance Disclaimer

This information is provided based on reasonable inquiry of our suppliers and represents our current actual knowledge based on the information they provided. This information is subject to change. The part numbers that TE has identified as EU RoHS compliant have a maximum concentration of 0.1% by weight in homogenous materials for lead, hexavalent chromium, mercury, PBB, PBDE, DBP, BBP, DEHP, DIBP, and 0.01% for cadmium, or qualify for an exemption to these limits as defined in the Annexes of Directive 2011/65/EU (RoHS2). Finished electrical and electronic equipment products will be CE marked as required by Directive 2011/65/EU. Components may not be CE marked. Additionally, the part numbers that TE has identified as EU ELV compliant have a maximum concentration of 0.1% by weight in homogenous materials for lead, hexavalent chromium, and mercury, and 0.01% for cadmium, or qualify for an exemption to these limits as defined in the Annexes of Directive 2000/53/EC (ELV). Regarding the REACH Regulation, the information TE provides on SVHC in articles for this part number is based on the latest European Chemicals Agency (ECHA) 'Guidance on requirements for substances in articles' posted at this URL: <https://echa.europa.eu/guidance-documents/guidance-on-reach>

Compatible Parts



TE Part # 42778-2
SPLICE AMPLIVAR 600-3000 CMA



TE Part # 63561-1
SPLICE 10000-16000 CMA 031BR



TE Part # 1217990-2
AMVAR SPLC 6000-14000 025TPBR



TE Part # 41899
SPL AMVAR 1500-5000 020TPBR



TE Part # 1742898-1
AMVAR SPLC 10M-22M 0295 TPBR



TE Part # 63621-2
SPLICE S-MINI/AMVAR 0098TPCUBR



TE Part # 41900
SPLC AMVAR 3000-7000 020TPBR



TE Part # 41904
SPLC AMVAR 7000-13000 TPBR



TE Part # 42192-2
SPLC AMVAR 600-3000 020TPBR



TE Part # 42779-2
SPLICE AMPLIVAR 3000-7000



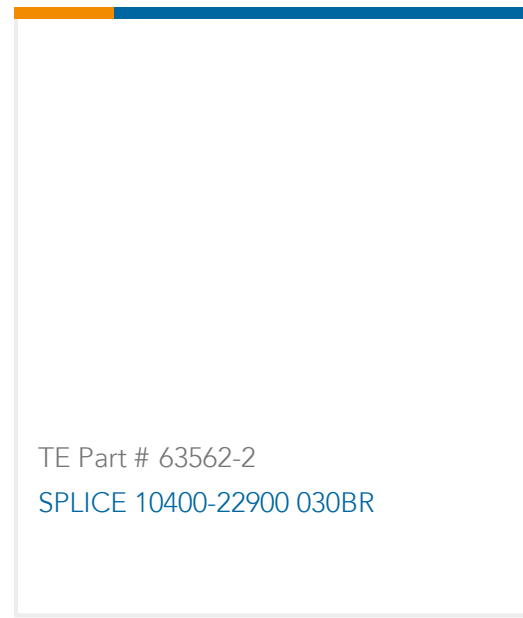
TE Part # CJ5694-000
BSTS-03X25



TE Part # 566367-1
STDSTASAPR300F K



TE Part # 566432-1
THRU SPLICE SAPR300F G



TE Part # 63562-2
SPLICE 10400-22900 030BR

Also in the Series | AMPLIVAR



Crimp Wire Pins, Tabs & Ferrules(5)



Magnet Wire Terminals(5)



PCB Terminals(1)



Quick Disconnects(42)



Ring Terminals & Spade Terminals(28)



Splices(78)

Customers Also Bought



TE Part #1811398-1
ASY,SCRLESS WIRE CONN,VERT,6P



TE Part #62759-1
SPLICE 400-1300 .016 BR



TE Part #485043-1
SPLICE 4000-9000 .020 BR



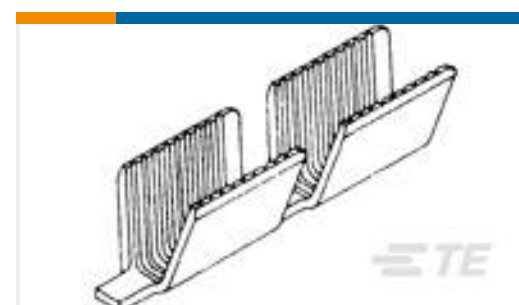
TE Part #1-2008552-2
CONNECTOR, INLINE VERT
SCREWLESS



TE Part #63130-2
SPLICE REC. 1500-5000 .020 BR



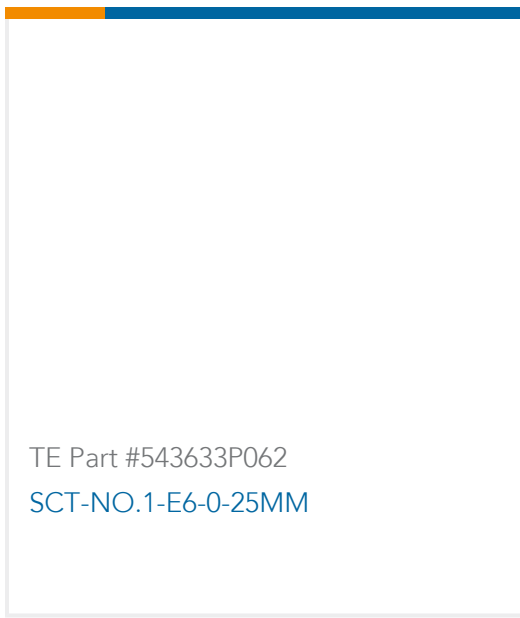
TE Part #1-1423675-0
W57-XB7A4A10-20=CKTBKR,THERM,P



TE Part #62311-2
AMVAR SPLC 10M-17M 0295 TPBR



TE Part #41532
250 FASTON FLAG REC 18-12 AWG
TPBR



Documents

Product Drawings

[SPLICE 10400-22900 030TPBR](#)

English

CAD Files

[3D PDF](#)

3D

Customer View Model

[ENG_CVM_CVM_63562-1_K.2d_dxf.zip](#)

English

Customer View Model

[ENG_CVM_CVM_63562-1_K.3d_igs.zip](#)

English

Customer View Model

[ENG_CVM_CVM_63562-1_K.3d_stp.zip](#)

English

By downloading the CAD file I accept and agree to the [Terms and Conditions](#) of use.

Datasheets & Catalog Pages

[Magnet Wire Terminals & Splices](#)

English

Product Specifications

[Application Specification](#)

English

[AMPLIVAR 5 Serration Thru Splice](#)

English

Product Environmental Compliance

[Product Compliance](#)

English

[Product Compliance](#)

English