

650946-5 ✓ ACTIVE

EUROCARD

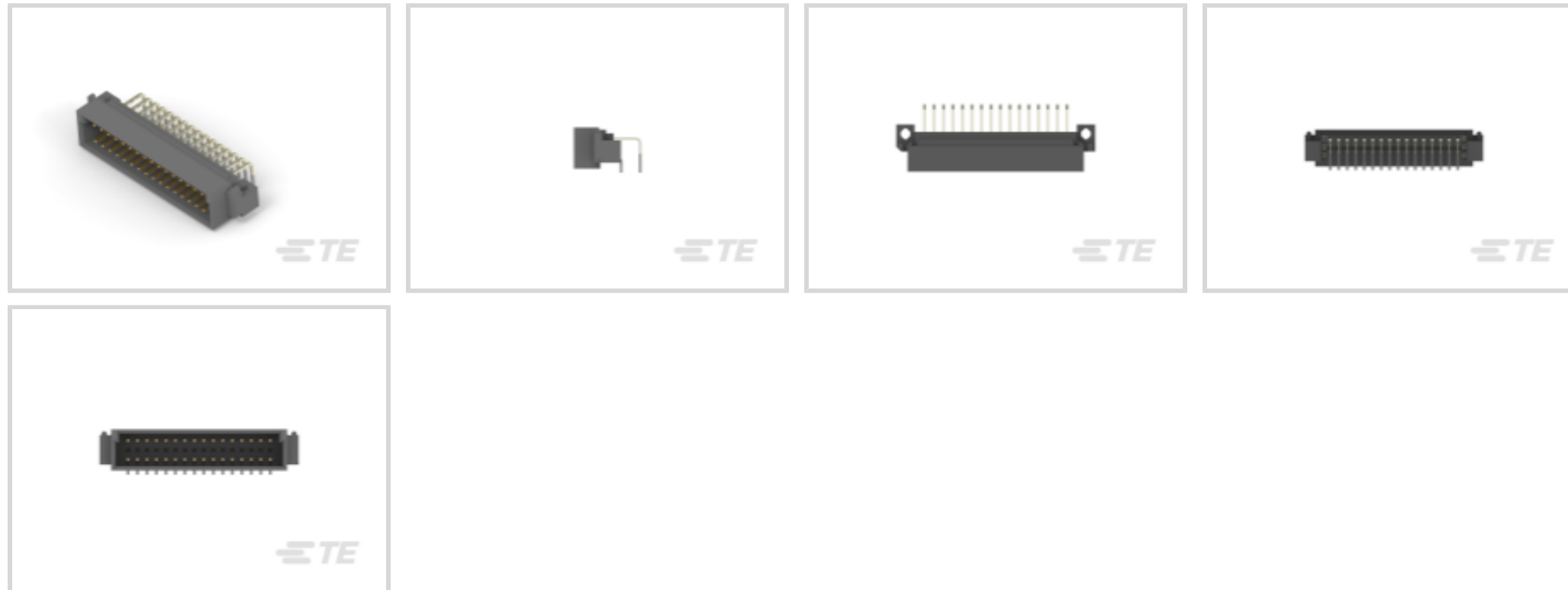
TE Internal #: 650946-5

Eurocard Connectors, Plug, Board-to-Board, 32 Position, .1 in [2.54 mm] Centerline, Printed Circuit Board, 3 Row, Right Angle, 16 Column

[View on TE.com >](#)



Connectors > PCB Connectors > Backplane Connectors > Eurocard Connectors



Connector & Housing Type: **Plug**

Connector System: **Board-to-Board**

Termination Post & Tail Length: **2.64 mm [.104 in]**

Number of Positions: **32**

Centerline (Pitch): **2.54 mm [.1 in]**

Features

Product Type Features

Connector & Housing Type	Plug
Connector System	Board-to-Board
Sealable	No
Connector & Contact Terminates To	Printed Circuit Board
DIN Size	Half
DIN Level	II

Configuration Features

Number of Positions	32
Number of Rows	3
PCB Mount Orientation	Right Angle
Number of Columns	16
Number of Power or Coaxial Positions	32
Number of Signal Positions	32
Rows Loaded	A, C



Electrical Characteristics

Operating Voltage	250 VAC
-------------------	---------

Contact Features

Contact Cross Section	.64 x .64 mm [.025 x .025 in]
PCB Contact Termination Area Plating Material Thickness	2.54 – 5.08 µm [100 – 200 µin]
Contact Type	Pin
Contact Mating Area Plating Material Thickness	.76 µm [30 µin]
Contact Mating Area Plating Material	Gold
PCB Contact Termination Area Plating Material	Tin-Lead
Contact Base Material	Brass
Contact Current Rating (Max)	1.5 A

Termination Features

Termination Method to Printed Circuit Board	Through Hole - Solder
Termination Post & Tail Length	2.64 mm [.104 in]

Mechanical Attachment

Mating Alignment Type	Polarization
Mating Alignment	With
PCB Mount Alignment	Without
PCB Mount Retention	Without
Connector Mounting Type	Board Mount

Housing Features

Housing Material	Polyester - GF
Centerline (Pitch)	2.54 mm [.1 in]

Dimensions

Connector Height	12.62 mm [.497 in]
PCB Thickness (Recommended)	1.57 mm
Row-to-Row Spacing	2.54 mm [.1 in]

Usage Conditions

Operating Temperature Range	-55 – 105 °C [-67 – 221 °F]
-----------------------------	-----------------------------

Operation/Application

Shielded	No
Circuit Application	Power & Signal

Industry Standards

UL Flammability Rating	UL 94V-0
------------------------	----------

Packaging Features

Packaging Method	Box
------------------	-----

Product Compliance

[For compliance documentation, visit the product page on TE.com>](#)

EU RoHS Directive 2011/65/EU	Compliant
EU ELV Directive 2000/53/EC	Compliant
China RoHS 2 Directive MIIT Order No 32, 2016	No Restricted Materials Above Threshold
EU REACH Regulation (EC) No. 1907/2006	Current ECHA Candidate List: JUNE 2022 (224) Candidate List Declared Against: JAN 2022 (223) SVHC > Threshold: Not Yet Reviewed
Halogen Content	Not Low Halogen - contains Br or Cl > 900 ppm.
Solder Process Capability	Wave solder capable to 240°C

Product Compliance Disclaimer

This information is provided based on reasonable inquiry of our suppliers and represents our current actual knowledge based on the information they provided. This information is subject to change. The part numbers that TE has identified as EU RoHS compliant have a maximum concentration of 0.1% by weight in homogenous materials for lead, hexavalent chromium, mercury, PBB, PBDE, DBP, BBP, DEHP, DIBP, and 0.01% for cadmium, or qualify for an exemption to these limits as defined in the Annexes of Directive 2011/65/EU (RoHS2). Finished electrical and electronic equipment products will be CE marked as required by Directive 2011/65/EU. Components may not be CE marked. Additionally, the part numbers that TE has identified as EU ELV compliant have a maximum concentration of 0.1% by weight in homogenous materials for lead, hexavalent chromium, and mercury, and 0.01% for cadmium, or qualify for an exemption to these limits as defined in the Annexes of Directive 2000/53/EC (ELV). Regarding the REACH Regulation, the information TE provides on SVHC in articles for this part number is based on the latest European Chemicals Agency (ECHA) 'Guidance on requirements for substances in articles' posted at this URL: <https://echa.europa.eu/guidance-documents/guidance-on-reach>

Compatible Parts

 <p>TE Part # 5650459-5 ASSEMBLY,RECEPTACLE,EURO,TYPE</p>	 <p>TE Part # 5535068-5 ASSY,RECEPTACLE,EURO,TYPE C/2,L-FREE,A&C</p>	 <p>TE Part # 5650466-5 ASSEMBLY,RECEPTACLE,EURO,TYPE</p>	 <p>TE Part # 2-1393641-6 V42254B2202C483=PC612 FEDERLEI</p>
--	---	--	---



TE Part # 650466-5
032 EURO TYPE C RECEPT ST ASSY



TE Part # 926040-2
48P MOD 4 HSG



TE Part # 650459-5
032 EURO TYPE C RECEPT ST ASSY



TE Part # 650657-8
032 EURO TYPE C RECEPT ST ASSY



TE Part # 650957-3
032 EURO TYPE C RECEPT ST ASSY



TE Part # 650957-4
032 EURO TYPE C RECEPT ST ASSY



TE Part # 650957-8
032 EURO TYPE C RECEPT ST ASSY



TE Part # 926040-1
48P MOD 4 HSG



TE Part # 8-1393640-6
V42254B2201C483=PC612 FEDERLEI

Customers Also Bought



TE Part #5748027-1
25 PLUG SP/FMS (IN,SL)



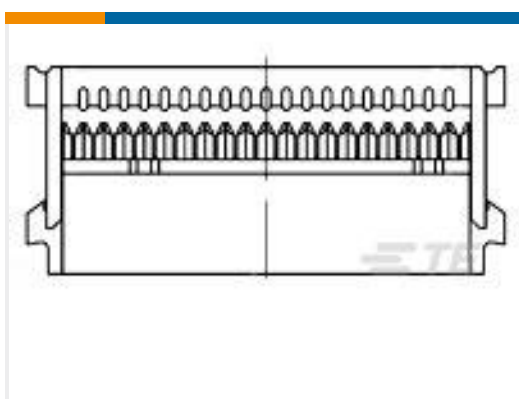
TE Part #1658621-2
14 NOVO MIL/CTR 15DP,LEAD FREE



TE Part #5535070-4
ASSY,RECEPTACLE,EUROCARD,TYPE



TE Part #1761608-5
IDC LOW PRO HDR 14P VERT SHT L



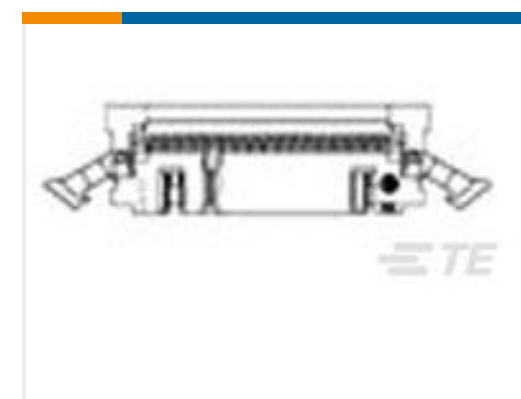
TE Part #2-1658526-1
609-4041LF FEM SOCKET,LEAD FREE



TE Part #8-1614882-2
CPF 0603 390K 0.1% 25PPM 5K RL



TE Part #4-2213767-3
AV19 DPM 5A MOVE RING LED WHITE 24V



TE Part #2-111506-4
040 UNIV I/O 30DP SLOT LTCH

Documents



Product Drawings

[032 EURO TYPE C PIN ST ASSY](#)

English

[032 EURO TYPE C PIN ST ASSY](#)

English

CAD Files

[3D PDF](#)

3D

Customer View Model

[ENG_CVM_CVM_650946-5_S_c-650946-5-s.2d_dxf.zip](#)

English

Customer View Model

[ENG_CVM_CVM_650946-5_S_c-650946-5-s.3d_igs.zip](#)

English

Customer View Model

[ENG_CVM_CVM_650946-5_S_c-650946-5-s.3d_stp.zip](#)

English

By downloading the CAD file I accept and agree to the [Terms and Conditions](#) of use.

Product Specifications

[Application Specification](#)

English

Product Environmental Compliance

[Product Compliance](#)

English

[Product Compliance](#)

English