

52956-1 ✓ ACTIVE

PLASTI-GRIP

TE Internal #: 52956-1

Ring Terminals & Spade Terminals, Spring Spade, 16 – 14 AWG

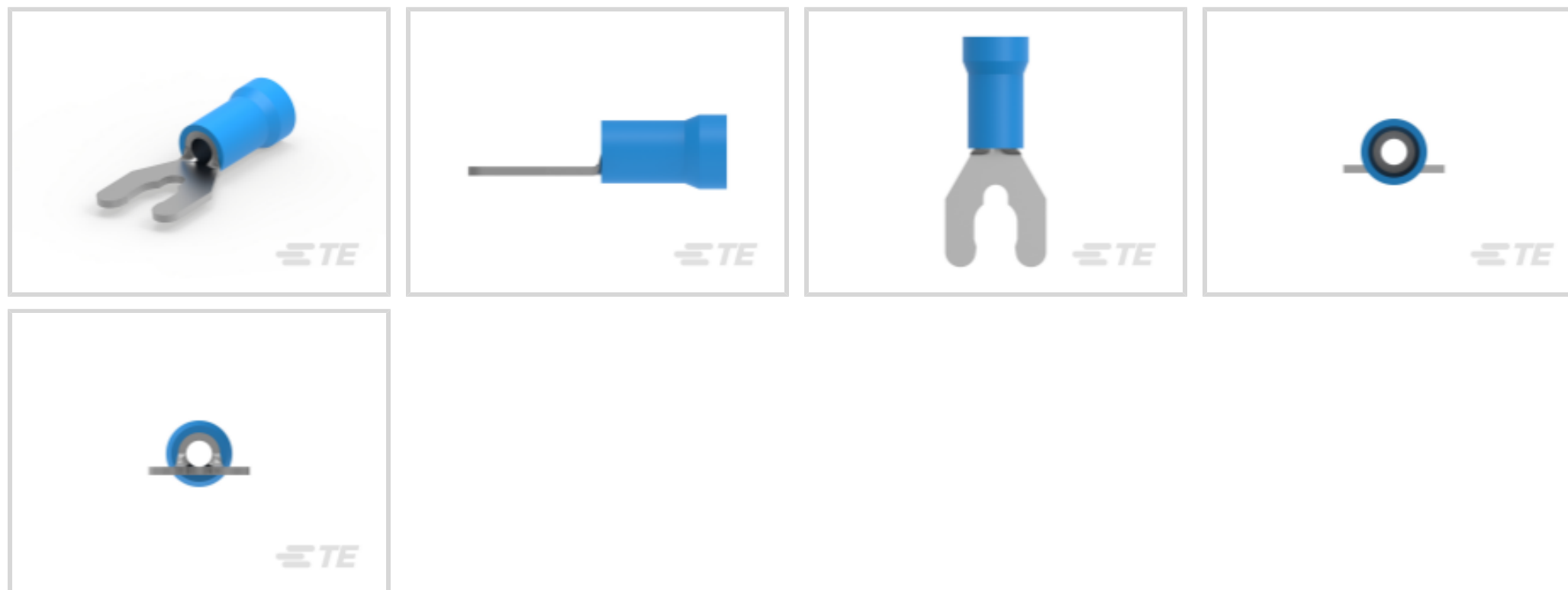
Wire Size, 1.25 – 2 mm<sup>2</sup> Wire Size, 2050 – 5180 CMA Wire Size,

PLASTI-GRIP

[View on TE.com >](#)



Terminals & Splices > Ring Terminals & Spade Terminals



Ring & Spade Terminal Type: **Spring Spade**

Wire Size: **2050 – 5180 CMA**

Stud Size: **#8, M4**

### Features

#### Product Type Features

|  |                    |
|--|--------------------|
| Shape Description                      | SPADE-029          |
| Stud Size                              | #8, M4             |
| Sealable                               | No                 |
| Wire Insulation Support Retention Type | Insulation Support |

#### Configuration Features

|                |       |
|----------------|-------|
| Terminal Angle | 180 ° |
|----------------|-------|

#### Electrical Characteristics

|               |       |
|---------------|-------|
| Voltage (Max) | 600 V |
|---------------|-------|

#### Body Features

|                         |      |
|-------------------------|------|
| Inspection Slot         | No   |
| Insulation Sleeve Color | Blue |
| Stripe Color            | Blue |

#### Contact Features

|                            |              |
|----------------------------|--------------|
| Ring & Spade Terminal Type | Spring Spade |
| Barrel Type                | Closed       |



|                           |          |
|---------------------------|----------|
| Terminal Orientation      | Straight |
| Terminal Plating Material | Tin      |

### Mechanical Attachment

|                         |      |
|-------------------------|------|
| Wire Insulation Support | With |
|-------------------------|------|

### Dimensions

|  |                            |
|--|----------------------------|
| Wire Size                              | 2050 – 5180 CMA            |
| Stud Diameter                          | 4.17 mm[.164 in]           |
| Tongue Thickness                       | .79 mm[.031 in]            |
| Overall Product Length                 | 22.15 mm[.872 in]          |
| Accepts Wire Insulation Diameter (Max) | 4.9 mm[.193 in]            |
| Accepts Wire Insulation Diameter Range | 3 – 4.9 mm[.118 – .193 in] |

### Usage Conditions

|                             |                     |
|-----------------------------|---------------------|
| Insulation Option           | Partially Insulated |
| Operating Temperature Range | 105 °C[221 °F]      |

### Operation/Application

|                                       |        |
|---------------------------------------|--------|
| Compatible With Wire Base Material    | Copper |
| Compatible With Wire Plating Material | Tin    |
| Heavy Duty                            | No     |

### Industry Standards

|                      |    |
|----------------------|----|
| Government Qualified | No |
|----------------------|----|

### Packaging Features

|                    |              |
|--------------------|--------------|
| Packaging Quantity | 5000         |
| Packaging Method   | Tape Mounted |

### Product Compliance

[For compliance documentation, visit the product page on TE.com>](#)

|   |   |
|---|---|
| EU RoHS Directive 2011/65/EU                  | Compliant   |
| EU ELV Directive 2000/53/EC                   | Compliant   |
| China RoHS 2 Directive MIIT Order No 32, 2016 | No Restricted Materials Above Threshold   |
| EU REACH Regulation (EC) No. 1907/2006        | Current ECHA Candidate List: JUNE 2022 (224)<br>Candidate List Declared Against: JAN 2022 (223) |

SVHC > Threshold:  
Not Yet Reviewed

Halogen Content

Not Low Halogen - contains Br or Cl > 900 ppm.

Solder Process Capability

Not applicable for solder process capability

#### Product Compliance Disclaimer

This information is provided based on reasonable inquiry of our suppliers and represents our current actual knowledge based on the information they provided. This information is subject to change. The part numbers that TE has identified as EU RoHS compliant have a maximum concentration of 0.1% by weight in homogenous materials for lead, hexavalent chromium, mercury, PBB, PBDE, DBP, BBP, DEHP, DIBP, and 0.01% for cadmium, or qualify for an exemption to these limits as defined in the Annexes of Directive 2011/65/EU (RoHS2). Finished electrical and electronic equipment products will be CE marked as required by Directive 2011/65/EU. Components may not be CE marked. Additionally, the part numbers that TE has identified as EU ELV compliant have a maximum concentration of 0.1% by weight in homogenous materials for lead, hexavalent chromium, and mercury, and 0.01% for cadmium, or qualify for an exemption to these limits as defined in the Annexes of Directive 2000/53/EC (ELV). Regarding the REACH Regulation, the information TE provides on SVHC in articles for this part number is based on the latest European Chemicals Agency (ECHA) 'Guidance on requirements for substances in articles' posted at this URL: <https://echa.europa.eu/guidance-documents/guidance-on-reach>

## Compatible Parts



Also in the Series | **PLASTI-GRIP**



Compression Connectors(3)



Crimp Wire Pins, Tabs & Ferrules(25)



Ring Terminals & Spade Terminals(537)



Special Purpose Terminals(1)



Splices(49)

## Customers Also Bought



TE Part #103653-4  
05 MTE SHRD PIN HSG SR LATCH



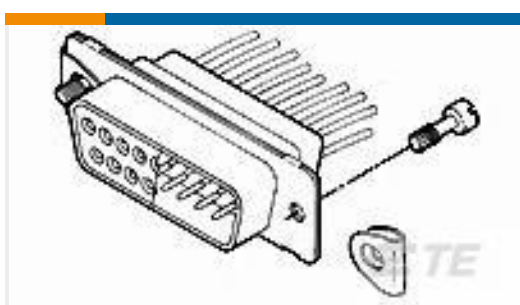
TE Part #207015-1  
HSG,PLUG,4 POSN,SM METRIC



TE Part #3-640477-2  
02 CIR MTA156 ASSY ON TAPE LF



TE Part #1445715-3  
75A HSG SUBASY WHITE



TE Part #5205980-1  
SCREW RETAINER KIT



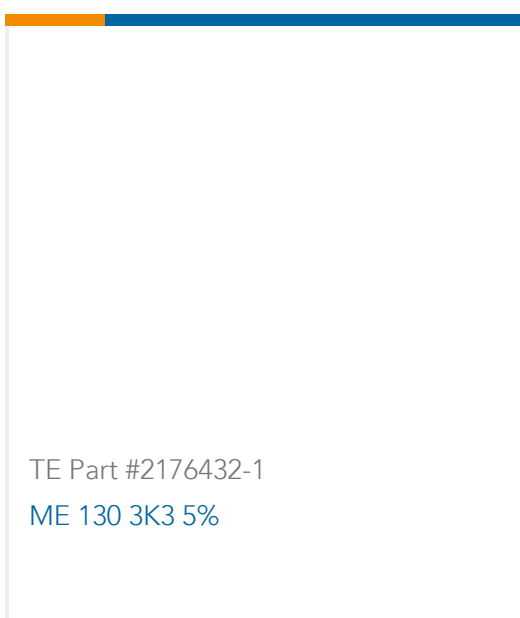
TE Part #3-747579-2  
SHLDNG FERRULE, PLTD, BULK PKG



TE Part #3-640472-3  
03P MTA156 ASSY ON TAPE LF



TE Part #3-644878-7  
07P MTA156 ASSY ON TAPE LF



TE Part #2176432-1  
ME 130 3K3 5%

## Documents



## Product Drawings

### TERMINAL,PG SPR SPD 16-14 8

English

---

## CAD Files

### 3D PDF

3D

#### Customer View Model

[ENG\\_CVM\\_CVM\\_52956-1\\_U.2d\\_dxf.zip](#)

English

#### Customer View Model

[ENG\\_CVM\\_CVM\\_52956-1\\_U.3d\\_igs.zip](#)

English

#### Customer View Model

[ENG\\_CVM\\_CVM\\_52956-1\\_U.3d\\_stp.zip](#)

English

By downloading the CAD file I accept and agree to the [Terms and Conditions](#) of use.

---

## Product Specifications

### Application Specification

English

---

## Product Environmental Compliance

[MD\\_52956-1\\_031620181336\\_dmtec](#)

English

[MD\\_52956-1\\_031620181336\\_dmtec](#)

English

---

## Instruction Sheets

[AMP\\* PIDG\\* \(VINYL\) & PLASTI-GRIP\\* SHORT SPRING SPADE TERMINALS FOR BAR](#)

English

[Instruction Sheet \(U.S.\)](#)

English

---

## Agency Approvals

[UL Report](#)

English