



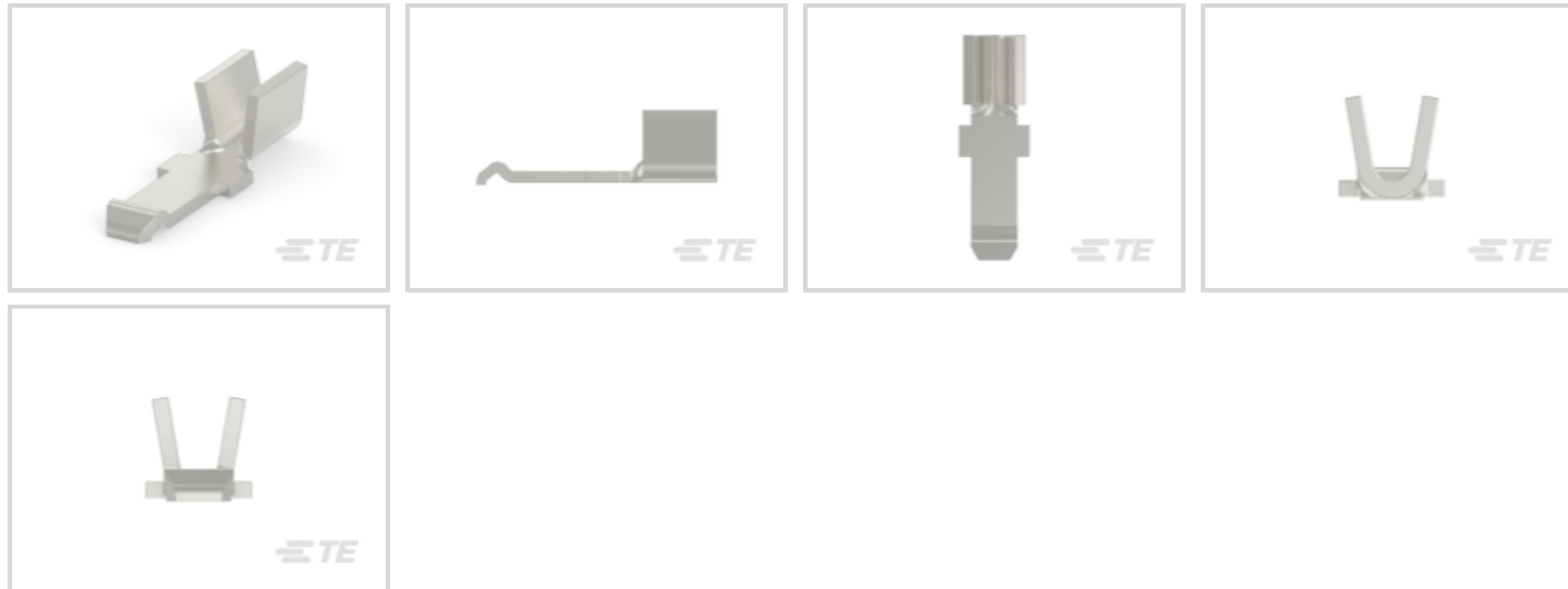
AMP

TE Internal #: 53892-2

Power Contacts, Contact, 600 VAC, Silver, 18 – 12 AWG Wire Size, .811 – 3.09 mm<sup>2</sup> Wire Size, 1601 – 6098 CMA Wire Size, Wire-to-Wire, 1 Position

[View on TE.com >](#)

Connectors > Power Connectors > Power Contacts



Power Contact Type: **Contact**

Operating Voltage: **600 VAC**

Contact Mating Area Plating Material: **Silver**

Wire Size: **.811 – 3.09 mm<sup>2</sup>**

**Features**

**Product Type Features**

|                                   |              |
|-----------------------------------|--------------|
| Power Contact Type                | Contact      |
| Connector System                  | Wire-to-Wire |
| Sealable                          | No           |
| Connector & Contact Terminates To | Wire & Cable |

**Configuration Features**

|                     |   |
|---------------------|---|
| Number of Positions | 1 |
|---------------------|---|

**Electrical Characteristics**

|                   |         |
|-------------------|---------|
| Operating Voltage | 600 VAC |
|-------------------|---------|

**Contact Features**

|                                      |                 |
|--------------------------------------|-----------------|
| Contact Mating Area Plating Material | Silver          |
| Contact Current Rating (Max)         | 31 A            |
| Contact Type                         | Receptacle      |
| Contact Retention Within Housing     | With            |
| Mating Tab Width                     | 3.76 mm[.15 in] |



|   |                  |
|---|------------------|
| Mating Tab Thickness                                  | .89 mm[.035 in]  |
| Contact Base Material                                 | Copper           |
| Contact Mating Area Plating Material Thickness        | 5.08 μm[200 μin] |
| Contact Mating Area Plating Material Finish           | Semi-Bright      |
| Wire Contact Termination Area Plating Thickness       | 5.08 μm[200 μin] |
| Wire Contact Termination Area Plating Material        | Silver           |
| Wire Contact Termination Area Plating Material Finish | Semi-Bright      |
| Contact Orientation                                   | Straight         |

### Termination Features

|                                    |       |
|------------------------------------|-------|
| Termination Method to Wire & Cable | Crimp |
|------------------------------------|-------|

### Mechanical Attachment

|                         |             |
|-------------------------|-------------|
| Connector Mounting Type | Panel Mount |
| Wire Insulation Support | Without     |

### Dimensions

|           |                 |
|-----------|-----------------|
| Wire Size | 1601 – 6098 CMA |
|-----------|-----------------|

### Usage Conditions

|                             |                           |
|-----------------------------|---------------------------|
| Operating Temperature Range | -40 – 75 °C[-40 – 167 °F] |
|-----------------------------|---------------------------|

### Operation/Application

|                     |       |
|---------------------|-------|
| Circuit Application | Power |
|---------------------|-------|

### Industry Standards

|                 |            |
|-----------------|------------|
| VDE Tested      | No         |
| Agency/Standard | CSA, UL    |
| CSA File Number | LR7189     |
| UL Rating       | Recognized |
| CSA Certified   | Yes        |
| UL File Number  | E28476     |

### Packaging Features

|                  |      |
|------------------|------|
| Packaging Method | Reel |
|------------------|------|

### Other

|                 |                 |
|-----------------|-----------------|
| Wire/Cable Type | Discrete Wire   |
| Wire Type       | Solid, Stranded |



## Product Compliance

[For compliance documentation, visit the product page on TE.com>](#)

|   |   |
|---|---|
| EU RoHS Directive 2011/65/EU                  | Compliant   |
| EU ELV Directive 2000/53/EC                   | Compliant   |
| China RoHS 2 Directive MIIT Order No 32, 2016 | No Restricted Materials Above Threshold   |
| EU REACH Regulation (EC) No. 1907/2006        | Current ECHA Candidate List: JUNE 2022 (224)<br>Candidate List Declared Against: JUNE 2022 (224)<br>Does not contain REACH SVHC |
| Halogen Content                               | Low Halogen - Br, Cl, F, I < 900 ppm per homogenous material. Also BFR/CFR/PVC Free   |
| Solder Process Capability                     | Not applicable for solder process capability  |

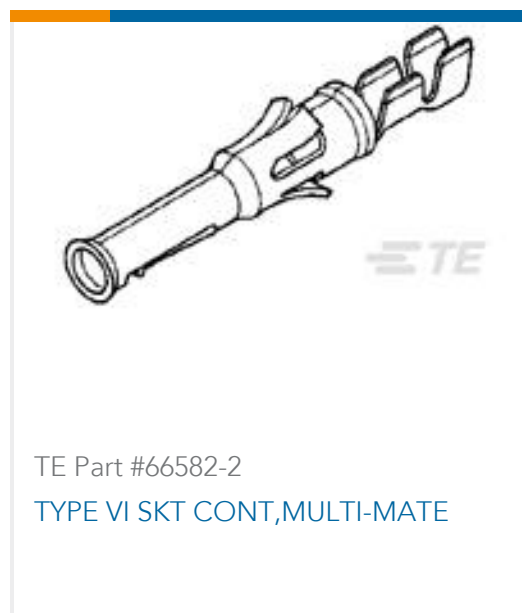
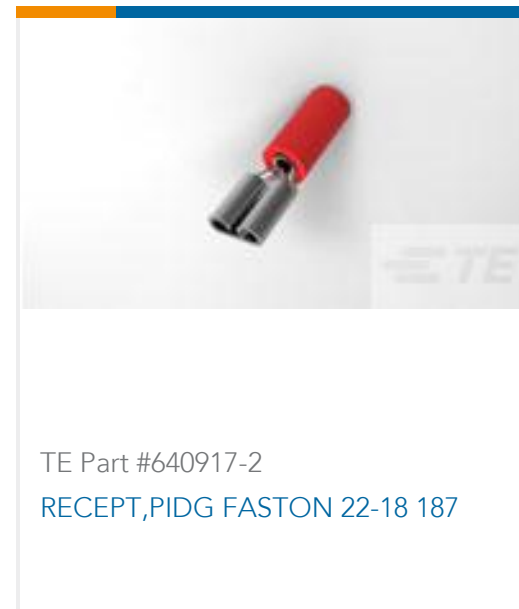
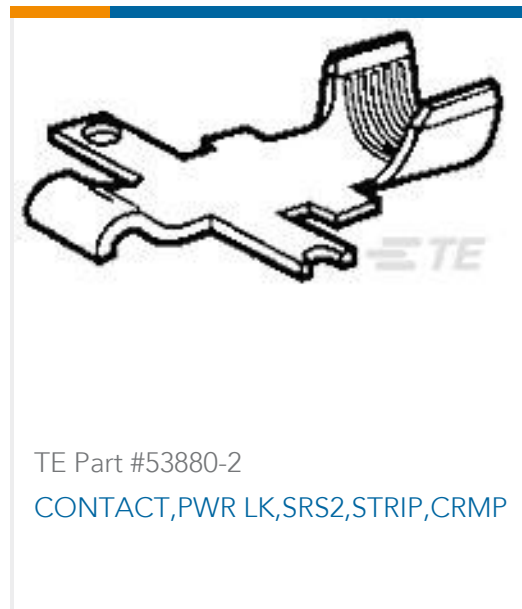
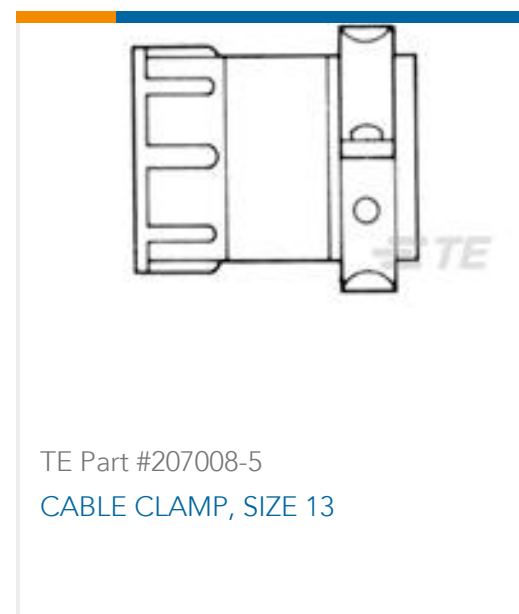
### Product Compliance Disclaimer

This information is provided based on reasonable inquiry of our suppliers and represents our current actual knowledge based on the information they provided. This information is subject to change. The part numbers that TE has identified as EU RoHS compliant have a maximum concentration of 0.1% by weight in homogenous materials for lead, hexavalent chromium, mercury, PBB, PBDE, DBP, BBP, DEHP, DIBP, and 0.01% for cadmium, or qualify for an exemption to these limits as defined in the Annexes of Directive 2011/65/EU (RoHS2). Finished electrical and electronic equipment products will be CE marked as required by Directive 2011/65/EU. Components may not be CE marked. Additionally, the part numbers that TE has identified as EU ELV compliant have a maximum concentration of 0.1% by weight in homogenous materials for lead, hexavalent chromium, and mercury, and 0.01% for cadmium, or qualify for an exemption to these limits as defined in the Annexes of Directive 2000/53/EC (ELV). Regarding the REACH Regulation, the information TE provides on SVHC in articles for this part number is based on the latest European Chemicals Agency (ECHA) 'Guidance on requirements for substances in articles' posted at this URL: <https://echa.europa.eu/guidance-documents/guidance-on-reach>

## Compatible Parts



## Customers Also Bought



## Documents

### Product Drawings

CONTACT,PWR LK,SRS1,STRIP,CRMP

English

### CAD Files

3D PDF

3D

Customer View Model

[ENG\\_CVM\\_CVM\\_53892-2\\_BV.2d\\_dxf.zip](#)

English

Customer View Model

[ENG\\_CVM\\_CVM\\_53892-2\\_BV.3d\\_igs.zip](#)

English

Customer View Model

[ENG\\_CVM\\_CVM\\_53892-2\\_BV.3d\\_stp.zip](#)

English

3D PDF

English



**Customer View Model**

[ENG\\_CVM\\_53892-2\\_M.2d\\_dxf.zip](#)

English

**Customer View Model**

[ENG\\_CVM\\_53892-2\\_M.3d\\_igs.zip](#)

English

**Customer View Model**

[ENG\\_CVM\\_53892-2\\_M.3d\\_stp.zip](#)

English

By downloading the CAD file I accept and agree to the [Terms and Conditions](#) of use.

---

**Product Specifications**

[Product Specification](#)

English

---

**Product Environmental Compliance**

[TE Material Declaration](#)

English

---

**Instruction Sheets**

[Instruction Sheet \(U.S.\)](#)

English

[Instruction Sheet \(U.S.\)](#)

English

[Inspection of Series I Power Lock Contacts](#)

English

---

**Agency Approvals**

[UL Report](#)

English