

Ferrite initiator connectors



FFR90-3/FFT90-3

Right angle version with reversed locking legs

Features

Mating design:

- Serviceable, reversed locking legs (self locking) alternatively
- Tool serviceable, reversed locking legs (self locking)

Terminal system:

- RCS (Round contact system), one piece terminal for ferrite tubes, Selectively gold plated, 2 contact points

Termination technology:

- Crimp version

Others:

- Supplied with different cable lengths



Performance characteristics

- Temperature range: from -40°C to +85°C
- Contact resistance: 10 mΩ (including terminal and 75 mm of wire)
- Dielectric test: 750 V / DC
- Pull out force: > 160 N

Construction

- Housing material: PA
- Acceptable wire range: 0.5 mm², AWG 20, AWG 18 for single leads
- EMI protection device: Ferrite tubes

Connector compatibility

- Matable with: Ø 11 mm FCI retainer

Part Numbers	Interface	Type	Code	Colour
5 455 02 66	FCI	Serviceable	A	Black
5 455 02 67	FCI	Serviceable	B	Brown
5 455 02 68	FCI	Serviceable	C	Light Grey
5 455 02 71	FCI	Serviceable	G	Light Magenta
5 455 02 81	FCI	Tool serviceable	A	White
5 455 02 82	FCI	Tool serviceable	B	Pale Brown
5 455 02 83	FCI	Tool serviceable	C	Pastel Green
5 455 02 86	FCI	Tool serviceable	G	Purple

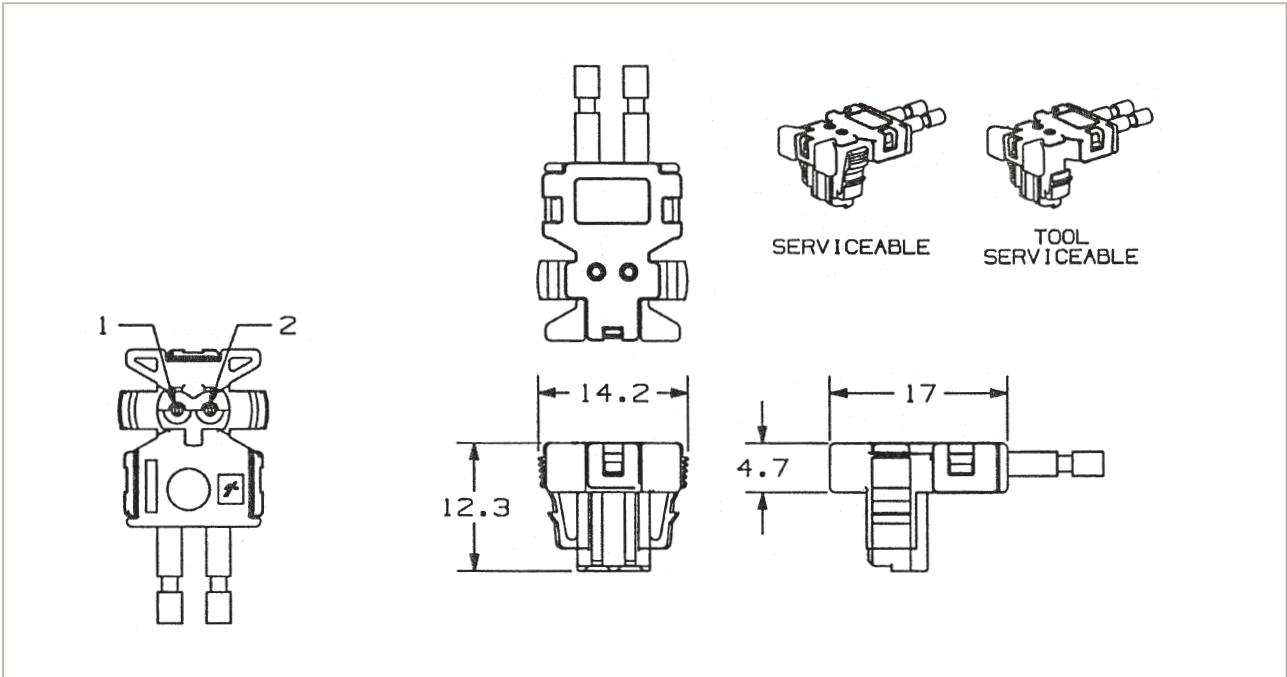
Ferrite initiator connectors



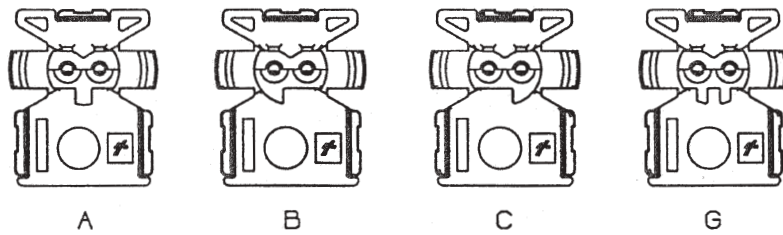
FFR90-3/FFT90-3

Right angle version with reversed locking legs

Dimensional characteristics (mm)



Codings



Notes:
