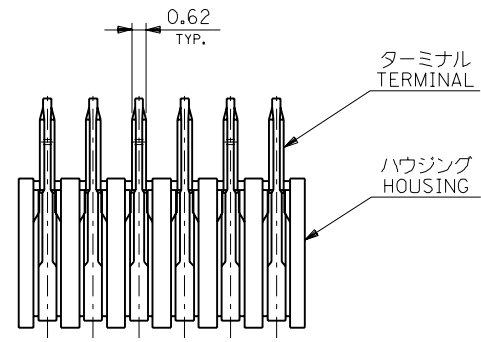


基板取付穴推奨寸法 (t=1.6)
RECOMMENDED P.C.BOARD HOLE DIM.



注記NOTES:

- 嵌合相手 MATES :
53064-**-10, 53065-**-10
53095-**-10, 53066-**-10
- 材料 MATERIAL
ハウジング: ポリアミド (66ナイロン), UL94V-0
HOUSING: POLYAMIDE(66NYLON), UL94V-0
ターミナル: 錫メッキ済みリン青銅 (t=0.2)
TERMINAL: PRE-TINNED PHOSPHOR BRONZE(t=0.2)

28	30.5	52084-1510	15
26	28.5	-1410	14
24	26.5	-1310	13
22	24.5	-1210	12
20	22.5	-1110	11
18	20.5	-1010	10
16	18.5	-0910	9
14	16.5	-0810	8
12	14.5	-0710	7
10	12.5	-0610	6
8	10.5	52084-0510	5
B	A	ENG. NO.	極数 CKT.

EC NO. DRWN: CHK: APPR:	EC NO. DRWN: CHK: APPR:	EC NO. DRWN: CHK: APPR:	EC NO. DRWN: CHK: APPR:	再作図 REDRAWN EC NO. JC2000-0645 DRWN: T.ITO '00/3/31 CHK: M.FUKUSHIMA APPR: M.FUKUSHIMA	MATERIAL 材料 注記参照 SEE NOTES	FINISH 仕上げ //	WIRE RANGE 適用線径範囲 //	INS. RANGE 被覆外径 //	GENERAL TOLERANCES: (UNLESS SPECIFIED) 一般公差		SCALE 5:1	DESIGN UNITS <input checked="" type="checkbox"/> mm <input type="checkbox"/> INCH	DIMENSIONS: THIRD ANGLE PROJECTION		SHT REV
									10 UNDER 未満	+0.2	DRAWN BY & DATE T.ITO '00/3/31	<input type="checkbox"/> mm <input type="checkbox"/> INCH <input checked="" type="checkbox"/> mm ONLY	REVISE ON CAD ONLY		
						10 OVER 以上	30 UNDER 未満	+0.25	CHECKED BY & DATE M.FUKUSHIMA '00/3/31		TITLE: KK 2.0 Hsg Assy BOTTOM ENTRY TYPE				
						30 OVER 以上		+0.3	APPROVED BY & DATE M.FUKUSHIMA '00/3/31		MATERIAL NO. DRAWING NO. SHEET NO.				
						ANGLE 角度		+3°	CAD FILENAME S52084.S06		DRAWING NO. SD-52084-**-10		SHEET NO. I		
										THIS DRAWING CONTAINS INFORMATION THAT IS PROPRIETARY TO MOLEX INCORPORATED AND SHOULD NOT BE USED WITHOUT WRITTEN PERMISSION.				SIZE B	