

PLEASE CHECK WWW.MOLEX.COM FOR LATEST PART INFORMATION

Part Number: [0521160240](#)
Status: **Active**
Overview: Mizu Sealed Connectors
Description: Mizu-P25 5.00mm Pitch Waterproof Wire-to-Wire Plug Housing , 2 Circuits, White

Documents:

3D Model	Application Specification AS-52117-001-001 (PDF)
3D Model (PDF)	Application Specification AS-52117-001-JP-001 (PDF)
Drawing (PDF)	Packaging Specification 521160000-P00 (PDF)
Product Specification PS-52116-001-001 (PDF)	RoHS Certificate of Compliance (PDF)

Agency Certification

UL E29179

Application tooling part link

Application Tooling Part Link 57130-6000
 Application Tooling Part Link 62202-4400

General

Product Family Crimp Housings
 Series [52116](#)
 Application Signal, Wire-to-Wire
 Overview [Mizu Sealed Connectors](#)
 Product Name Mizu-P25 Waterproof, Splash Proof
 UPC 800754368476

Physical

Circuits (maximum) 2
 Color - Resin White
 Gender Plug
 Glow-Wire Capable No
 Lock to Mating Part Yes
 Material - Resin Polyester
 Net Weight 1543.500/mg
 Number of Rows 1
 Packaging Type Tray
 Panel Mount No
 Pitch - Mating Interface 5.00mm
 Stackable No
 Temperature Range - Operating -40° to +105°C

Electrical

Current - Maximum per Contact 3.0A

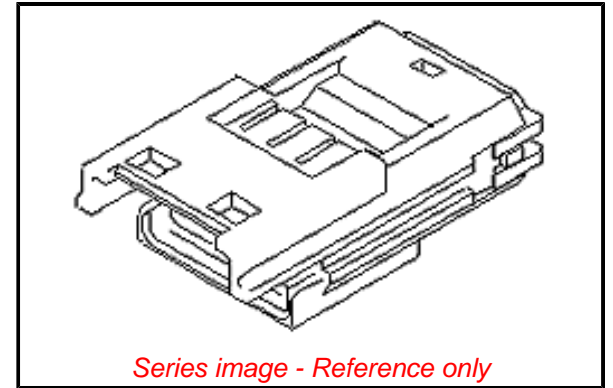
Solder Process Data

Lead-freeProcess Capability N/A

Material Info

Reference - Drawing Numbers

Application Specification	AS-52117-001-001, AS-52117-001-JP-001
Packaging Specification	521160000-P00
Product Specification	PS-52116-001-001
Sales Drawing	SD-52116-001-001



Series image - Reference only

EU ELV

Compliant

EU RoHS

Compliant

REACH SVHC

Not Contained Per -
 D(2022)4187-DC (10
 June 2022)

Halogen-Free

Status

Not Low-Halogen

For more information, please visit [Contact US](#)

China ROHS

ELV

RoHS Phthalates

Green Image

Compliant

Not Contained

Search Parts in this Series

[52116 Series](#)

Mates With

[52117 Mizu-P25 2.50mm Pitch Waterproof Wire-to-Wire Receptacle Housing](#)

Use With

[50038 Mizu-P25 Crimp Terminal](#)

Application Tooling | [FAQ](#)

Tooling specifications and manuals are found by selecting the products below. Crimp Height Specifications are then contained in the Application Tooling Specification document.

Global

Description	Product #
-------------	-----------

Sealing Cap Hand Tool	622024400
-----------------------	---------------------------

Japan

Description	Product #
-------------	-----------

Sealing Cap Attachment Tool	571306000
-----------------------------	---------------------------

This document was generated on 07/07/2022

PLEASE CHECK WWW.MOLEX.COM FOR LATEST PART INFORMATION