

51982-1 ✓ ACTIVE

COPALUM

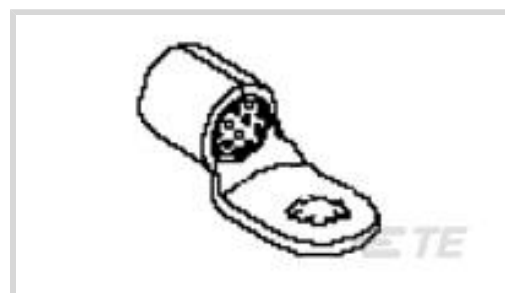
TE Internal #: 51982-1

Ring Terminals & Spade Terminals, Ring Tongue, 2 AWG Wire Size, 35 mm<sup>2</sup> Wire Size, 52600 – 83700 CMA Wire Size, Stud Size M8 / 5 /16

[View on TE.com >](#)



Terminals & Splices > Ring Terminals & Spade Terminals



Ring & Spade Terminal Type: **Ring Tongue**

Wire Size: **52600 – 83700 CMA**

Stud Size: **5/16, M8**

**Features**

**Product Type Features**

Shape Description	RING-050
Stud Size	5/16, M8
Sealable	No
Wire Insulation Support Retention Type	Non-Insulation Support

**Configuration Features**

Number of Holes	1
Terminal Angle	180 °

**Body Features**

Weight per Piece	21.022 g
------------------	----------

**Contact Features**

Ring & Spade Terminal Type	Ring Tongue
Barrel Type	Closed
Terminal Orientation	Straight
Terminal Plating Material	Tin
Contact Underplating Material	None

**Dimensions**

Wire Size	52600 – 83700 CMA
Stud Diameter	8.33 mm[.328 in]
Tongue Thickness	1.52 mm[.06 in]



Overall Product Length	47.21 mm[1.859 in]
------------------------	--------------------

Barrel Inside Diameter	9.12 mm[.359 in]
------------------------	------------------

### Usage Conditions

Insulation Option	Uninsulated
-------------------	-------------

Operating Temperature Range	-55 – 150 °C[-85 – 347 °F]
-----------------------------	----------------------------

### Operation/Application

Heavy Duty	No
------------	----

### Packaging Features

Packaging Quantity	50
--------------------	----

Packaging Method	Box
------------------	-----

### Other

Comment	Not approved for reconnection of residential aluminum branch circuit wiring.
---------	--

## Product Compliance

[For compliance documentation, visit the product page on TE.com>](#)

EU RoHS Directive 2011/65/EU	Compliant
------------------------------	-----------

EU ELV Directive 2000/53/EC	Compliant
-----------------------------	-----------

China RoHS 2 Directive MIIT Order No 32, 2016	No Restricted Materials Above Threshold
---	---

EU REACH Regulation (EC) No. 1907/2006	Current ECHA Candidate List: JUNE 2022 (224) Candidate List Declared Against: JUL 2021 (219) SVHC > Threshold: Not Yet Reviewed
--	--

Halogen Content	Low Halogen - Br, Cl, F, I < 900 ppm per homogenous material. Also BFR/CFR/PVC Free
-----------------	---

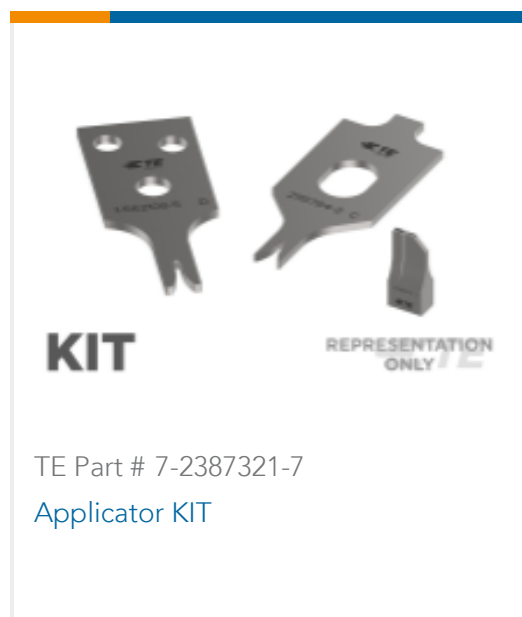
Solder Process Capability	Not applicable for solder process capability
---------------------------	--

#### Product Compliance Disclaimer

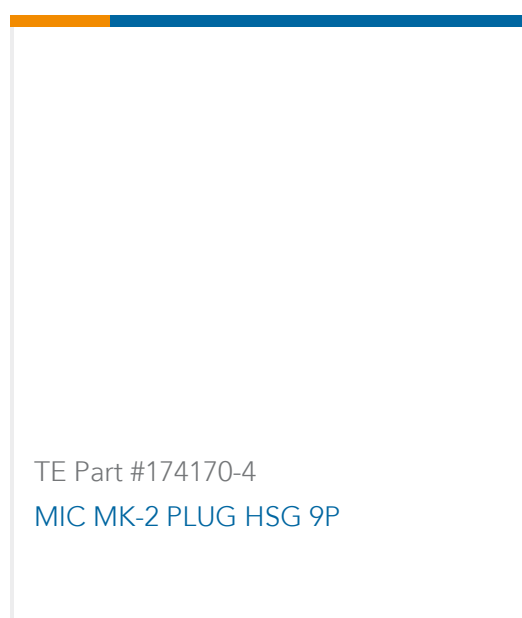
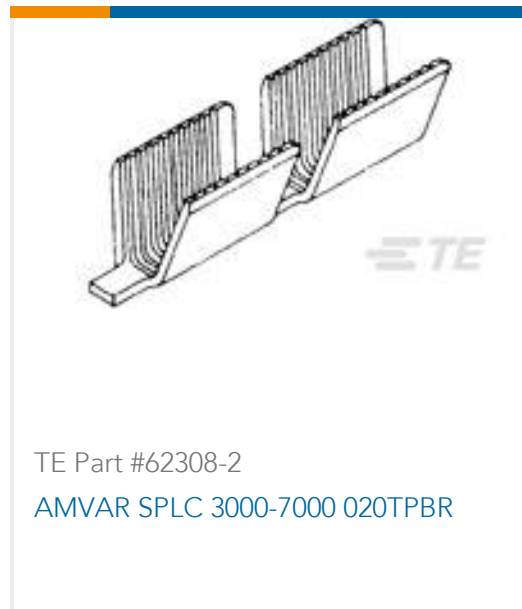
This information is provided based on reasonable inquiry of our suppliers and represents our current actual knowledge based on the information they provided. This information is subject to change. The part numbers that TE has identified as EU RoHS compliant have a maximum concentration of 0.1% by weight in homogenous materials for lead, hexavalent chromium, mercury, PBB, PBDE, DBP, BBP, DEHP, DIBP, and 0.01% for cadmium, or qualify for an exemption to these limits as defined in the Annexes of Directive 2011/65/EU (RoHS2). Finished electrical and electronic equipment products will be CE marked as required by Directive 2011/65/EU. Components may not be CE marked. Additionally, the part numbers that TE has identified as EU ELV compliant have a maximum concentration of 0.1% by weight in homogenous materials for lead, hexavalent chromium, and mercury, and 0.01% for cadmium, or qualify for an exemption to these limits as defined in the Annexes of Directive 2000/53/EC (ELV). Regarding the REACH Regulation, the information TE provides

on SVHC in articles for this part number is based on the latest European Chemicals Agency (ECHA) 'Guidance on requirements for substances in articles' posted at this URL: <https://echa.europa.eu/guidance-documents/guidance-on-reach>

## Compatible Parts



## Customers Also Bought



## Documents

### Product Drawings

TERMINAL,COPALUM R 2 5/16

English



### CAD Files

#### 3D PDF

English

#### Customer View Model

[ENG\\_CVM\\_51982-1\\_F.3d\\_igs.zip](#)

English

#### Customer View Model

[ENG\\_CVM\\_51982-1\\_F.3d\\_stp.zip](#)

English

#### Customer View Model

[ENG\\_CVM\\_51982-1\\_F.2d\\_dxf.zip](#)

English

By downloading the CAD file I accept and agree to the [Terms and Conditions](#) of use.

### Datasheets & Catalog Pages

#### COPALUM Lite Sealed Terminals and Splices

English

### Product Specifications

#### Application Specification

English

#### COPALUM Terminals And Splices For Solid And Stranded Wire

English

#### Application Specification

Japanese

#### Copalum Terminals & Splices f/Solid & Stranded Wire

Japanese

### Product Environmental Compliance

#### TE Material Declaration

English