

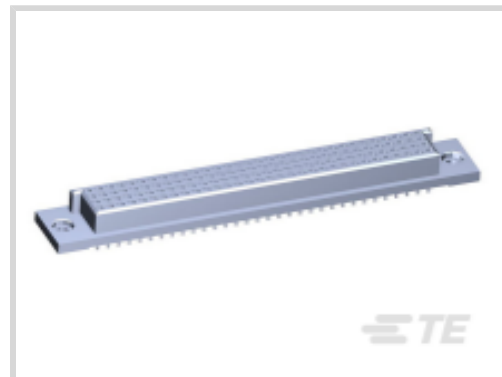
## AMP

TE Internal #: 533285-3

PCB Mount Receptacle, Vertical, Board-to-Board, 128 Position, .1 in [2.54 mm] Centerline, Gold, Through Hole - Solder, Signal, Brown

[View on TE.com >](#)

Connectors &gt; PCB Connectors &gt; PCB Headers &amp; Receptacles

PCB Connector Assembly Type: **PCB Mount Receptacle**PCB Mount Orientation: **Vertical**Connector System: **Board-to-Board**Number of Positions: **128**Number of Rows: **4**

## Features

### Product Type Features

PCB Connector Assembly Type	PCB Mount Receptacle
Connector System	Board-to-Board
Sealable	No
Connector & Contact Terminates To	Printed Circuit Board

### Configuration Features

Number of Columns	32
Number of Loaded Positions	128
Stackable	No
PCB Mount Orientation	Vertical
Number of Positions	128
Number of Rows	4
Board-to-Board Configuration	Perpendicular

### Body Features

Primary Product Color	Brown
-----------------------	-------

### Contact Features

Contact Layout	Matrix
Mating Square Post Dimension	.64 mm[.025 in]
Contact Shape & Form	Four Beam



PCB Contact Termination Area Plating Material	Tin-Lead
Contact Base Material	Beryllium Copper
Contact Mating Area Plating Material	Gold
Contact Mating Area Plating Material Thickness	.76 $\mu$ m[30 $\mu$ in]
Contact Type	Socket
Contact Current Rating (Max)	3 A

#### Termination Features

Rectangular Termination Post & Tail Thickness	.25 mm[.01 in]
Rectangular Termination Post & Tail Width	.51 mm[.02 in]
Termination Post & Tail Length	3.78 mm[.149 in]
Termination Method to Printed Circuit Board	Through Hole - Solder

#### Mechanical Attachment

PCB Mount Retention Type	Mounting Hole
Mating Alignment	With
Mating Alignment Type	Polarized
PCB Mount Retention	With
PCB Mount Alignment	Without
Connector Mounting Type	Board Mount

#### Housing Features

Centerline (Pitch)	2.54 mm[.1 in]
Housing Material	Polyphenylene Sulfide (PPS)

#### Dimensions

Connector Height	10.16 mm[.4 in]
Connector Width	14.85 mm[.585 in]
Row-to-Row Spacing	2.54 mm[.1 in]
Stack Height	15.24 mm[.6 in]
PCB Thickness (Recommended)	2.36 mm[.093 in]

#### Usage Conditions

Housing Temperature Rating	High
Operating Temperature Range	-65 – 125 °C[-85 – 257 °F]

#### Operation/Application

Assembly Process Feature	None
--------------------------	------



Circuit Application

Signal

### Industry Standards

UL Flammability Rating

UL 94V-0

### Packaging Features

Packaging Quantity

5

Packaging Type

Tube

### Product Compliance

[For compliance documentation, visit the product page on TE.com>](#)

EU RoHS Directive 2011/65/EU

Not Compliant

EU ELV Directive 2000/53/EC

Compliant with Exemptions

China RoHS 2 Directive MIIT Order No 32, 2016

Restricted Materials Above Threshold

EU REACH Regulation (EC) No. 1907/2006

Current ECHA Candidate List: JUNE 2022 (224)  
Candidate List Declared Against: JUL 2021 (219)  
SVHC > Threshold:  
Pb (13% in plating)

**Article Safe Usage Statements:**

Do not eat, drink or smoke when using this product. Wash thoroughly after handling. Recycle if possible and dispose of the article by following all applicable governmental regulations relevant to your geographic location.

Halogen Content

Not Yet Reviewed for halogen content

Solder Process Capability

Pin-in-Paste capable to 260°C

#### Product Compliance Disclaimer

This information is provided based on reasonable inquiry of our suppliers and represents our current actual knowledge based on the information they provided. This information is subject to change. The part numbers that TE has identified as EU RoHS compliant have a maximum concentration of 0.1% by weight in homogenous materials for lead, hexavalent chromium, mercury, PBB, PBDE, DBP, BBP, DEHP, DIBP, and 0.01% for cadmium, or qualify for an exemption to these limits as defined in the Annexes of Directive 2011/65/EU (RoHS2). Finished electrical and electronic equipment products will be CE marked as required by Directive 2011/65/EU. Components may not be CE marked. Additionally, the part numbers that TE has identified as EU ELV compliant have a maximum concentration of 0.1% by weight in homogenous materials for lead, hexavalent chromium, and mercury, and 0.01% for cadmium, or qualify for an exemption to these limits as defined in the Annexes of Directive 2000/53/EC (ELV). Regarding the REACH Regulation, the information TE provides on SVHC in articles for this part number is based on the latest European Chemicals Agency (ECHA) 'Guidance on requirements for substances in articles' posted at this URL: <https://echa.europa.eu/guidance-documents/guidance-on-reach>

## Customers Also Bought



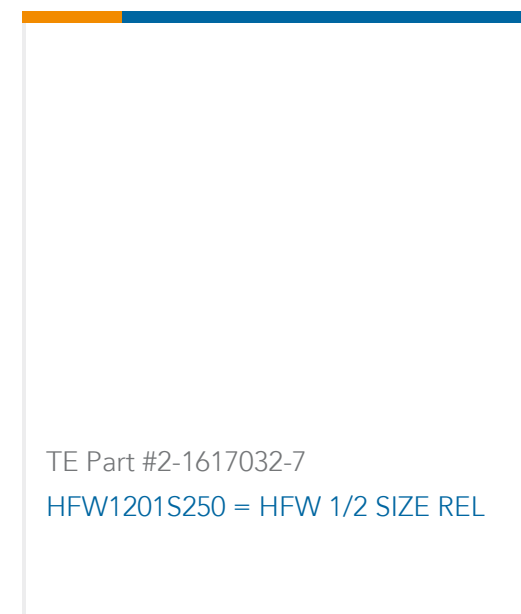
TE Part #YACT26JA98SAV00100  
STRAIGHT PLUG



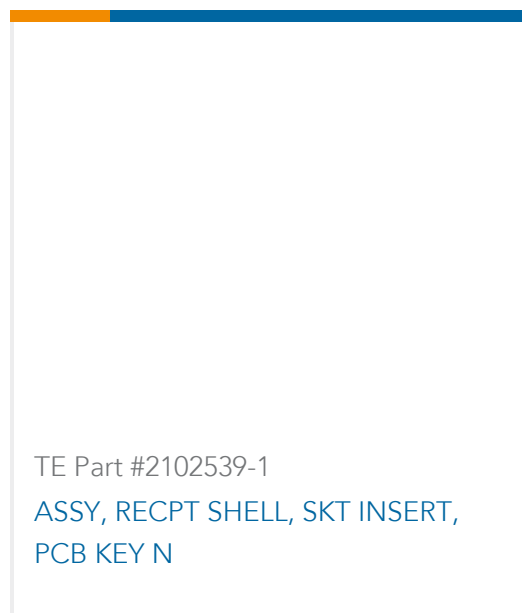
TE Part #2102096-2  
Fortis Zd 2Pr 20Col R/A Cent Module  
Assy



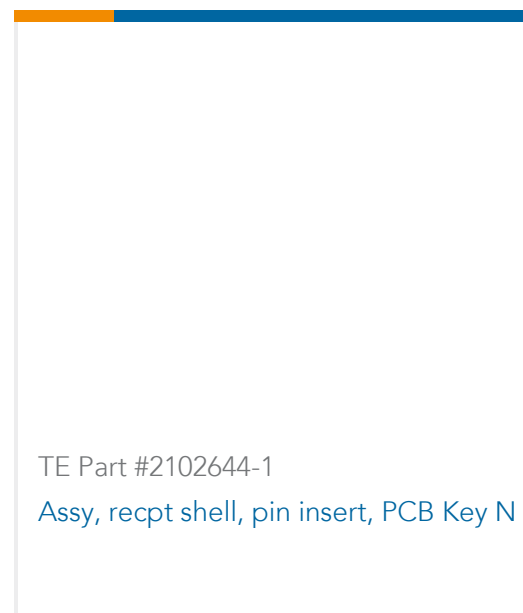
TE Part #5532434-9  
ASSY, RECPT, R.ANGLE, HDI, LEAD-FR



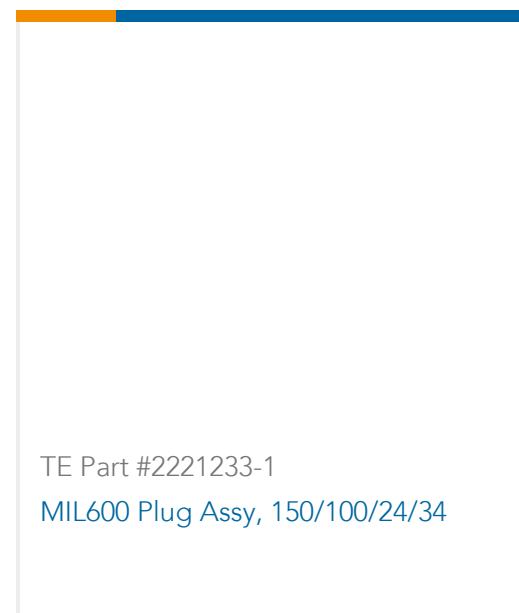
TE Part #2-1617032-7  
HFW1201S250 = HFW 1/2 SIZE REL



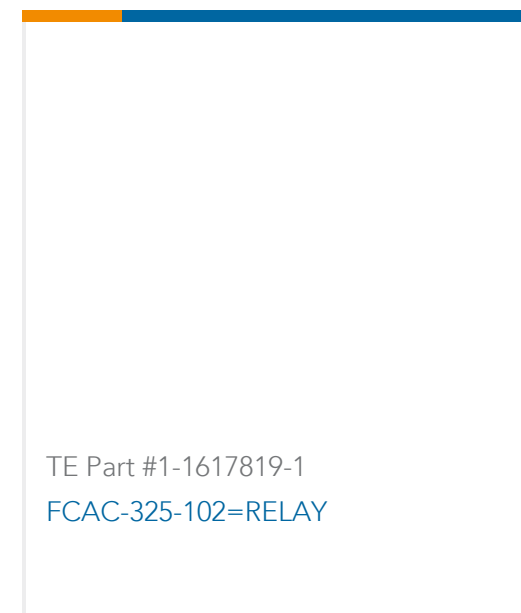
TE Part #2102539-1  
ASSY, RECPT SHELL, SKT INSERT,  
PCB KEY N



TE Part #2102644-1  
Assy, recpt shell, pin insert, PCB Key N



TE Part #2221233-1  
MIL600 Plug Assy, 150/100/24/34



TE Part #1-1617819-1  
FCAC-325-102=RELAY

## Documents

### Product Drawings

#### BOX II 4 ROW RECP ASSY 128 POS

English

### CAD Files

#### 3D PDF

3D

#### Customer View Model

[ENG\\_CVM\\_CVM\\_533285-3\\_W.2d\\_dxf.zip](#)

English

#### Customer View Model

[ENG\\_CVM\\_CVM\\_533285-3\\_W.3d\\_igs.zip](#)

English

#### Customer View Model

[ENG\\_CVM\\_CVM\\_533285-3\\_W.3d\\_stp.zip](#)

English

By downloading the CAD file I accept and agree to the [Terms and Conditions](#) of use.

### Datasheets & Catalog Pages

#### Products for Aerospace and Defense

English

### Product Specifications

#### Product Specification

English