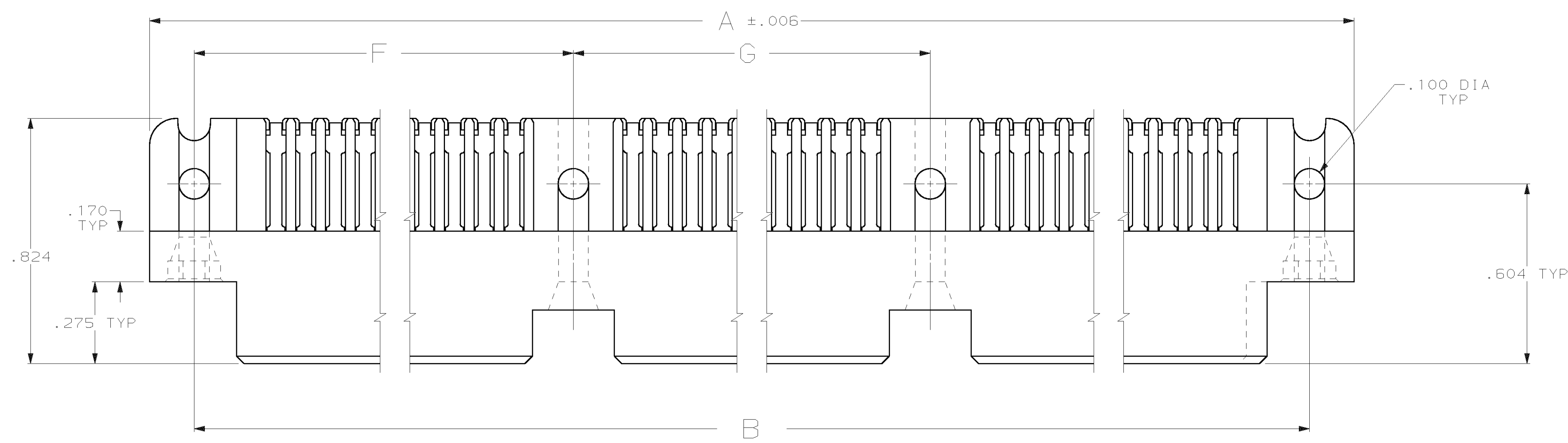
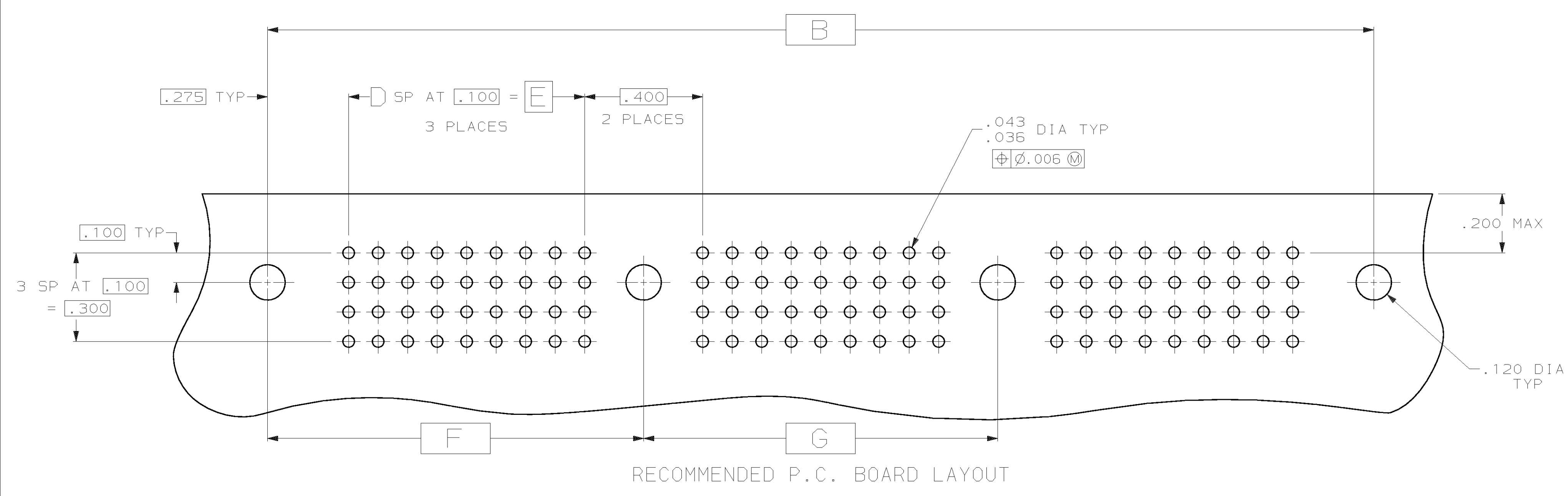
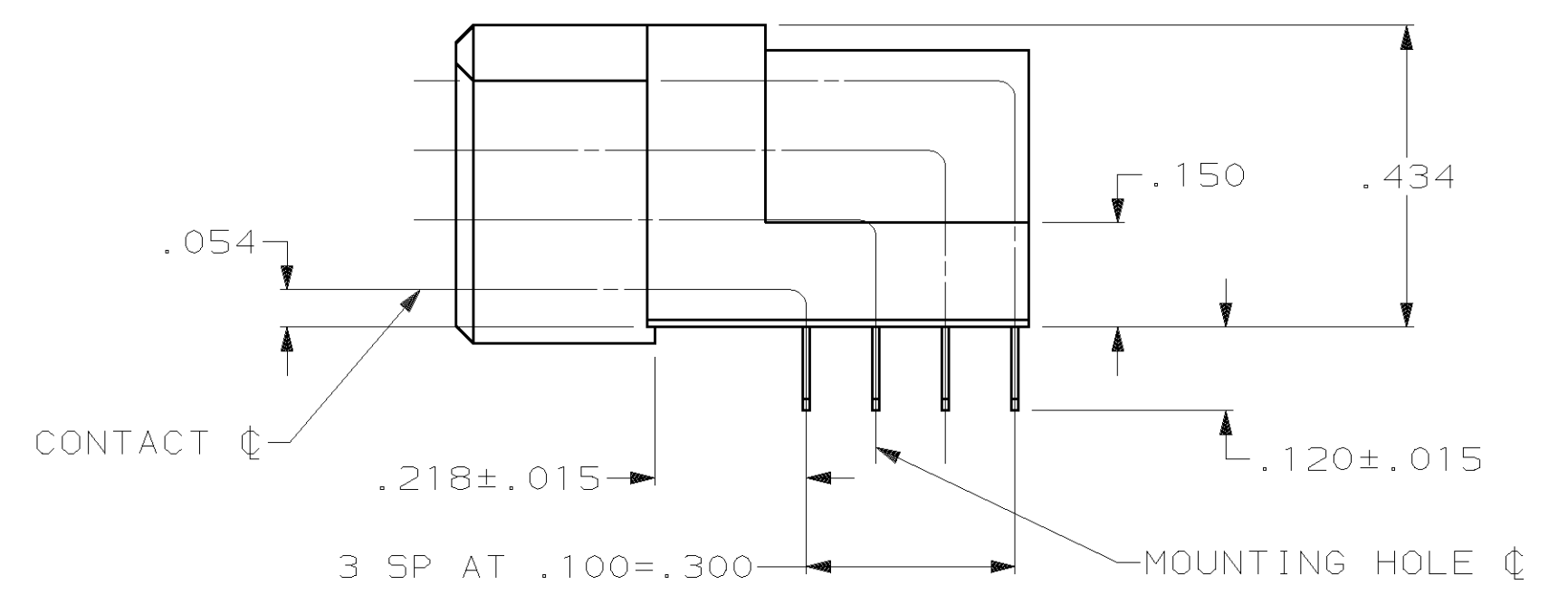
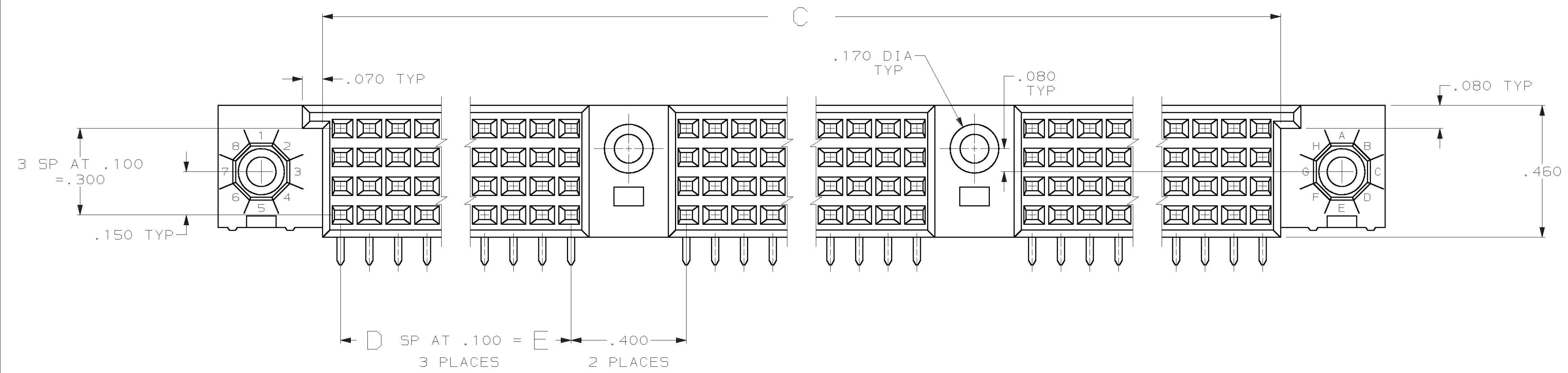


LOC		DIST		P		ZONE		LTR		REVISIONS		
AD	25									DESCRIPTION	DATE	APPD
									B	REDRAWN ON CAD PER ECN AD5477	6-11-91	-
									C	REVISED PER ECN 0010-1013-93 T.S.	8-23-93	JW
									D	ECN. 0010-1684-94 TH	11/17/94	NFS
									E	REV PER EC 001B-0199-01	14 NOV 01	WM



- ① HOUSING MATERIAL: THERMOPLASTIC, BLACK.
- ② CONTACT MATERIAL: COPPER ALLOY.
- ③ CONTACT FINISH: .000050-.000100 NICKEL UNDERPLATE ALL OVER WITH .000030 GOLD IN CONTACT AREA AND .000100-.000200 TIN-LEAD PLATED POSTS.



OBSOLETE	4.600	4.675	4.200	42	13.524	13.950	14.250	516	534043-3
OBSOLETE	4.800	4.875	4.400	44	14.124	14.550	14.850	540	534043-2
OBSOLETE	4.400	4.475	4.000	40	12.924	13.350	13.650	492	534043-1
	G	F	E	D	C	B	A	NO OF POSN	PART NUMBER

DO NOT SCALE PRINT. UNLESS SPECIFIED DIMENSIONS IN INCHES TOLERANCES ON: 2 PLC DEC ± .005 3 PLC DEC ± .005 ANGLES ± -		DR 6-11-91 J GALLUCCI BG	AMP Incorporated Harrisburg, PA 17105-3608
MATERIAL		CHK 12/10/91 DAVID HOFFMAN	
FINISH		APPD 12/10/91 WAYNE MILLHIMES	
WEIGHT		APPD 12/10/91 VAN WEBSTER	NAME ASSEMBLY, RECEPTACLE, TWIN BEAM CONNECTOR, 4 ROW, 2 MOUNTING HOLES, 2 GUIDE PINS, .120 POST LENGTH
SCALE 4:1		PRODUCT SPEC 108-1098	SIZE D 00779
		APPLICATION SPEC -	DRAWING NO 534043
			SHEET 1 OF 1