



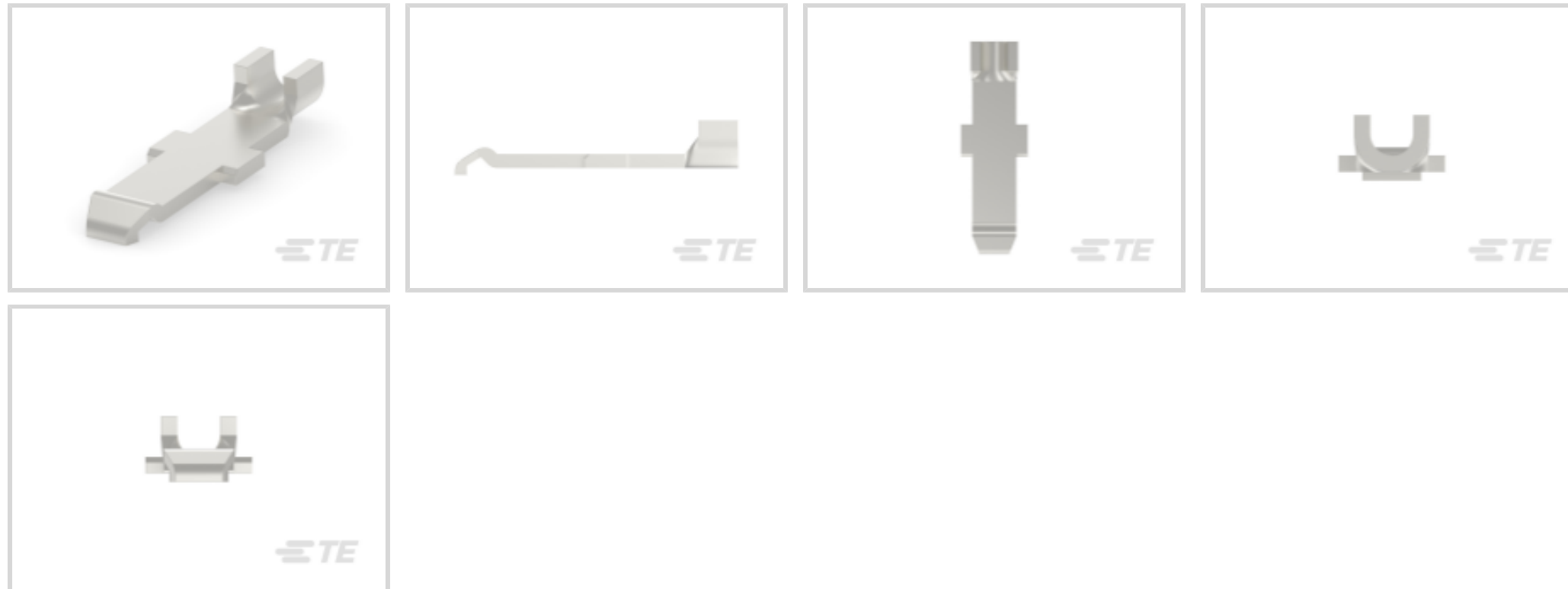
AMP

TE Internal #: 54329-1

Power Contacts, Contact, 600 VAC, Silver, 12 AWG Wire Size, 3.09 – 3.37 mm² Wire Size, 6098 – 6651 CMA Wire Size, Wire-to-Wire, 1 Position

[View on TE.com >](#)

Connectors > Power Connectors > Power Contacts



Power Contact Type: **Contact**

Operating Voltage: **600 VAC**

Contact Mating Area Plating Material: **Silver**

Wire Size: **3.09 – 3.37 mm²**

Features

Product Type Features

Power Contact Type	Contact
Connector System	Wire-to-Wire
Sealable	No
Connector & Contact Terminates To	Wire & Cable

Configuration Features

Number of Positions	1
---------------------	---

Electrical Characteristics

Operating Voltage	600 VAC
-------------------	---------

Contact Features

Contact Mating Area Plating Material	Silver
Contact Current Rating (Max)	31 A
Contact Type	Receptacle
Contact Retention Within Housing	With
Mating Tab Width	3.76 mm[.15 in]



Mating Tab Thickness	.89 mm[.035 in]
Contact Base Material	Copper
Contact Mating Area Plating Material Thickness	5.08 μm[200 μin]
Contact Mating Area Plating Material Finish	Semi-Bright
Wire Contact Termination Area Plating Thickness	5.08 μm[200 μin]
Wire Contact Termination Area Plating Material	Silver
Wire Contact Termination Area Plating Material Finish	Semi-Bright
Contact Orientation	Straight

Termination Features

Termination Method to Wire & Cable	Crimp
------------------------------------	-------

Mechanical Attachment

Connector Mounting Type	Panel Mount
Wire Insulation Support	Without

Dimensions

Wire Size	6098 – 6651 CMA
-----------	-----------------

Usage Conditions

Operating Temperature Range	-40 – 75 °C[-40 – 167 °F]
-----------------------------	---------------------------

Operation/Application

Circuit Application	Power
---------------------	-------

Industry Standards

VDE Tested	No
Agency/Standard	CSA, UL
CSA File Number	LR7189
UL Rating	Recognized
CSA Certified	Yes
UL Flammability Rating	UL 94V-0
UL File Number	E28476

Packaging Features

Packaging Method	Bag
------------------	-----

Other

Wire/Cable Type	Discrete Wire
Wire Type	Solid, Stranded

Product Compliance

[For compliance documentation, visit the product page on TE.com>](#)

EU RoHS Directive 2011/65/EU	Compliant
EU ELV Directive 2000/53/EC	Compliant
China RoHS 2 Directive MIIT Order No 32, 2016	No Restricted Materials Above Threshold
EU REACH Regulation (EC) No. 1907/2006	Current ECHA Candidate List: JUNE 2022 (224) Candidate List Declared Against: JAN 2022 (223) SVHC > Threshold: Not Yet Reviewed
Halogen Content	Low Halogen - Br, Cl, F, I < 900 ppm per homogenous material. Also BFR/CFR/PVC Free
Solder Process Capability	Wave solder capable to 265°C

Product Compliance Disclaimer

This information is provided based on reasonable inquiry of our suppliers and represents our current actual knowledge based on the information they provided. This information is subject to change. The part numbers that TE has identified as EU RoHS compliant have a maximum concentration of 0.1% by weight in homogenous materials for lead, hexavalent chromium, mercury, PBB, PBDE, DBP, BBP, DEHP, DIBP, and 0.01% for cadmium, or qualify for an exemption to these limits as defined in the Annexes of Directive 2011/65/EU (RoHS2). Finished electrical and electronic equipment products will be CE marked as required by Directive 2011/65/EU. Components may not be CE marked. Additionally, the part numbers that TE has identified as EU ELV compliant have a maximum concentration of 0.1% by weight in homogenous materials for lead, hexavalent chromium, and mercury, and 0.01% for cadmium, or qualify for an exemption to these limits as defined in the Annexes of Directive 2000/53/EC (ELV). Regarding the REACH Regulation, the information TE provides on SVHC in articles for this part number is based on the latest European Chemicals Agency (ECHA) 'Guidance on requirements for substances in articles' posted at this URL: <https://echa.europa.eu/guidance-documents/guidance-on-reach>

Compatible Parts



Customers Also Bought



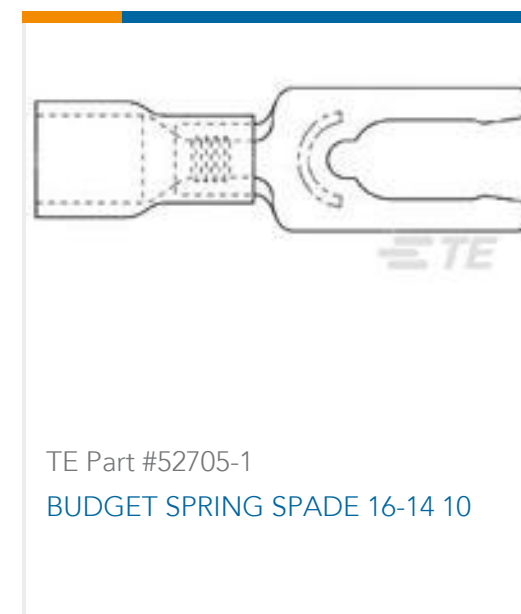
TE Part #5749193-1
50 50SR KIT,ST,UK



TE Part #54483-4
HSG ASSY,PWR LK,SRS 1,4 POS



TE Part #1-534998-4
28 MODIV VRT DR CE 100/125



TE Part #52705-1
BUDGET SPRING SPADE 16-14 10



TE Part #6-1415537-4
SR6A6K21



TE Part #4-1393763-0
V23100V4324C000



TE Part #3-644465-7
07P MTA156 CONN ASSY 18AWG
ORA

Documents

Product Drawings

[CONTACT,PWR LK,SRS1,LS PC,SLDR](#)

English

CAD Files

[3D PDF](#)

3D

Customer View Model

[ENG_CVM_CVM_54329-1_W.2d_dxf.zip](#)

English

Customer View Model

[ENG_CVM_CVM_54329-1_W.3d_igs.zip](#)

English

Customer View Model

[ENG_CVM_CVM_54329-1_W.3d_stp.zip](#)

English

Customer View Model

[ENG_CVM_54329-1_E.3d_igs.zip](#)

English

Customer View Model

[ENG_CVM_54329-1_E.3d_stp.zip](#)

English

Customer View Model

[ENG_CVM_54329-1_E.2d_dxf.zip](#)

English

[3D PDF](#)

English

54329-1

Power Contacts, Contact, 600 VAC, Silver, 12 AWG Wire Size, 3.09 – 3.37 mm² Wire Size, 6098 – 6651 CMA Wire Size, Wire-to-Wire, 1 Position



By downloading the CAD file I accept and agree to the [Terms and Conditions](#) of use.

Product Specifications

Product Specification

English