

52924-1 ✓ ACTIVE

TE Internal #: 52924-1

Ring Terminals & Spade Terminals, Spring Spade, 26 – 22 AWG

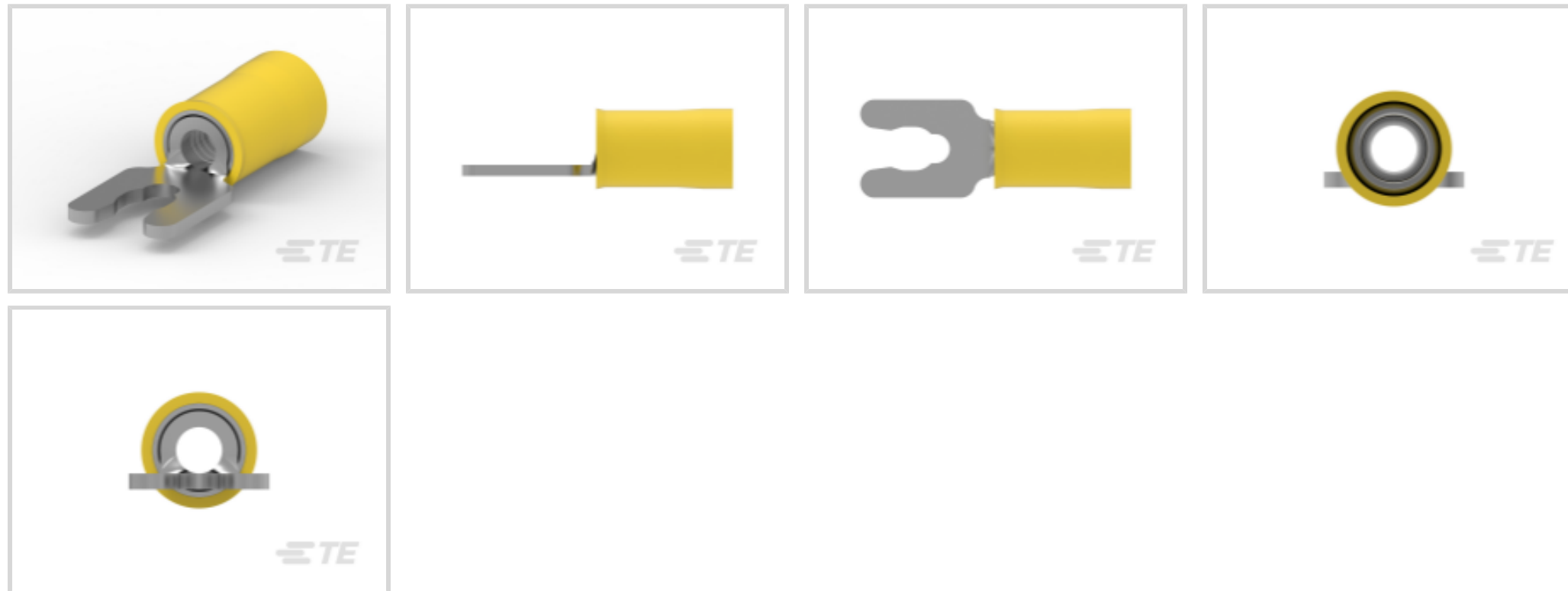
Wire Size, .12 – .4 mm<sup>2</sup> Wire Size, 202 – 810 CMA Wire Size, Stud

Size #6 / M3.5

[View on TE.com >](#)



Terminals & Splices > Ring Terminals & Spade Terminals > PIDG SHORT SPRING SPADE TONGUE TERMLS



Ring & Spade Terminal Type: **Spring Spade**

Wire Size: **202 – 810 CMA**

Stud Size: **#6, M3.5**

[All PIDG SHORT SPRING SPADE TONGUE TERMLS \(39\)](#)

## Features

### Product Type Features

|  |                    |
|--|--------------------|
| Shape Description                      | SPADE-028          |
| Stud Size                              | #6, M3.5           |
| Sealable                               | No                 |
| Wire Insulation Support Retention Type | Insulation Support |

### Configuration Features

|                |       |
|----------------|-------|
| Terminal Angle | 180 ° |
|----------------|-------|

### Electrical Characteristics

|               |       |
|---------------|-------|
| Voltage (Max) | 300 V |
|---------------|-------|

### Body Features

|                         |        |
|-------------------------|--------|
| Inspection Slot         | No     |
| Insulation Sleeve Color | Yellow |
| Stripe Color            | Yellow |

### Contact Features

|                            |              |
|----------------------------|--------------|
| Ring & Spade Terminal Type | Spring Spade |
|----------------------------|--------------|



|             |        |
|-------------|--------|
| Barrel Type | Closed |
|-------------|--------|

|                      |        |
|----------------------|--------|
| Terminal Orientation | Offset |
|----------------------|--------|

|                           |     |
|---------------------------|-----|
| Terminal Plating Material | Tin |
|---------------------------|-----|

### Mechanical Attachment

|                         |      |
|-------------------------|------|
| Wire Insulation Support | With |
|-------------------------|------|

### Dimensions

|           |               |
|-----------|---------------|
| Wire Size | 202 – 810 CMA |
|-----------|---------------|

|               |                  |
|---------------|------------------|
| Stud Diameter | 3.51 mm[.138 in] |
|---------------|------------------|

|                  |                 |
|------------------|-----------------|
| Tongue Thickness | .46 mm[.018 in] |
|------------------|-----------------|

|                        |                   |
|------------------------|-------------------|
| Overall Product Length | 17.25 mm[.679 in] |
|------------------------|-------------------|

|  |                  |
|--|------------------|
| Accepts Wire Insulation Diameter (Max) | 2.08 mm[.082 in] |
|--|------------------|

|  |                               |
|--|-------------------------------|
| Accepts Wire Insulation Diameter Range | 1.27 – 2.08 mm[.05 – .082 in] |
|--|-------------------------------|

### Usage Conditions

|                   |                     |
|-------------------|---------------------|
| Insulation Option | Partially Insulated |
|-------------------|---------------------|

|                             |                |
|-----------------------------|----------------|
| Operating Temperature Range | 105 °C[221 °F] |
|-----------------------------|----------------|

### Operation/Application

|                                    |        |
|------------------------------------|--------|
| Compatible With Wire Base Material | Copper |
|------------------------------------|--------|

|                                       |     |
|---------------------------------------|-----|
| Compatible With Wire Plating Material | Tin |
|---------------------------------------|-----|

|            |    |
|------------|----|
| Heavy Duty | No |
|------------|----|

### Industry Standards

|                      |    |
|----------------------|----|
| Government Qualified | No |
|----------------------|----|

### Packaging Features

|                    |      |
|--------------------|------|
| Packaging Quantity | 4000 |
|--------------------|------|

|                  |              |
|------------------|--------------|
| Packaging Method | Tape Mounted |
|------------------|--------------|

### Product Compliance

[For compliance documentation, visit the product page on TE.com>](#)

|                              |           |
|------------------------------|-----------|
| EU RoHS Directive 2011/65/EU | Compliant |
|------------------------------|-----------|

|                             |           |
|-----------------------------|-----------|
| EU ELV Directive 2000/53/EC | Compliant |
|-----------------------------|-----------|

|   |   |
|---|---|
| China RoHS 2 Directive MIIT Order No 32, 2016 | No Restricted Materials Above Threshold |
|---|---|

|  |  |
|--|--|
| EU REACH Regulation (EC) No. 1907/2006 | Current ECHA Candidate List: JUNE 2022 (224) |
|--|--|



Candidate List Declared Against: JUNE 2022 (224)

Does not contain REACH SVHC

Halogen Content

Low Halogen - Br, Cl, F, I < 900 ppm per homogenous material. Also BFR/CFR/PVC Free

Solder Process Capability

Not applicable for solder process capability

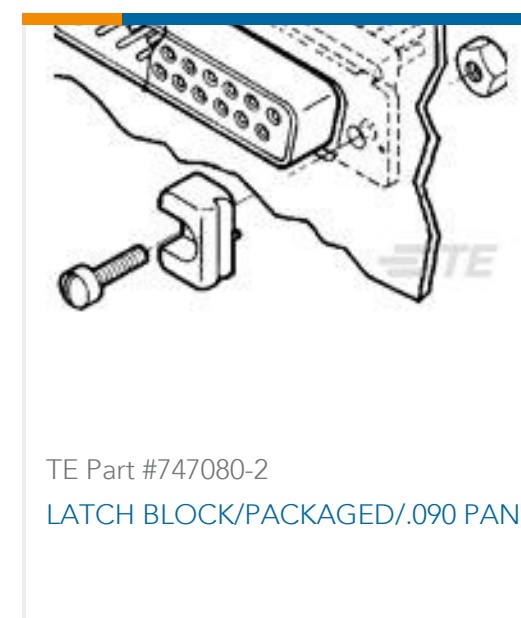
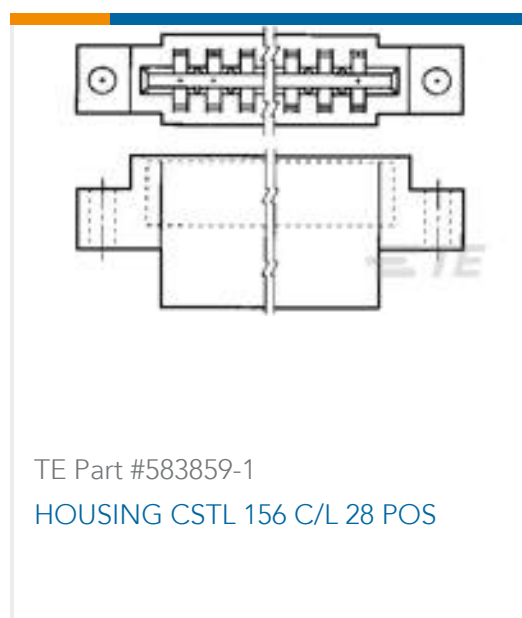
Product Compliance Disclaimer

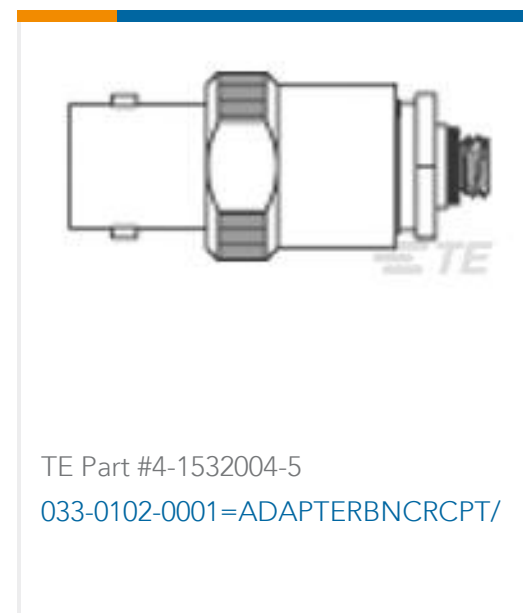
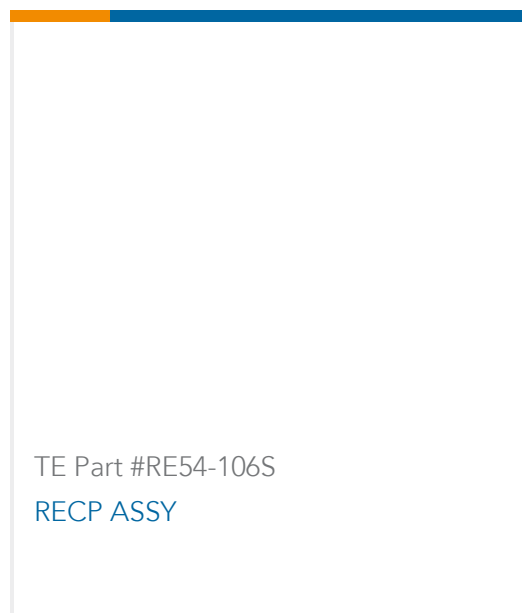
This information is provided based on reasonable inquiry of our suppliers and represents our current actual knowledge based on the information they provided. This information is subject to change. The part numbers that TE has identified as EU RoHS compliant have a maximum concentration of 0.1% by weight in homogenous materials for lead, hexavalent chromium, mercury, PBB, PBDE, DBP, BBP, DEHP, DIBP, and 0.01% for cadmium, or qualify for an exemption to these limits as defined in the Annexes of Directive 2011/65/EU (RoHS2). Finished electrical and electronic equipment products will be CE marked as required by Directive 2011/65/EU. Components may not be CE marked. Additionally, the part numbers that TE has identified as EU ELV compliant have a maximum concentration of 0.1% by weight in homogenous materials for lead, hexavalent chromium, and mercury, and 0.01% for cadmium, or qualify for an exemption to these limits as defined in the Annexes of Directive 2000/53/EC (ELV). Regarding the REACH Regulation, the information TE provides on SVHC in articles for this part number is based on the latest European Chemicals Agency (ECHA) 'Guidance on requirements for substances in articles' posted at this URL: <https://echa.europa.eu/guidance-documents/guidance-on-reach>

### Compatible Parts



### Customers Also Bought





## Documents

### Product Drawings

TERMINAL,PIDG SPR SPD 26-22 6

English

### CAD Files

3D PDF

3D

Customer View Model

[ENG\\_CVM\\_CVM\\_52924-1\\_L.2d\\_dxf.zip](#)

English

Customer View Model

[ENG\\_CVM\\_CVM\\_52924-1\\_L.3d\\_igs.zip](#)

English

Customer View Model

[ENG\\_CVM\\_CVM\\_52924-1\\_L.3d\\_stp.zip](#)

English

3D PDF

English

Customer View Model

[ENG\\_CVM\\_52924-1\\_F.3d\\_igs.zip](#)

English

Customer View Model

[ENG\\_CVM\\_52924-1\\_F.3d\\_stp.zip](#)

English

Customer View Model

[ENG\\_CVM\\_52924-1\\_F.2d\\_dxf.zip](#)

English



By downloading the CAD file I accept and agree to the [Terms and Conditions](#) of use.

### Product Specifications

#### Application Specification

English

### Product Environmental Compliance

#### TE Material Declaration

English

### Instruction Sheets

#### AMP\* PIDG\* (VINYL) & PLASTI-GRIP\* SHORT SPRING SPADE TERMINALS FOR BAR

English

#### Instruction Sheet (U.S.)

English