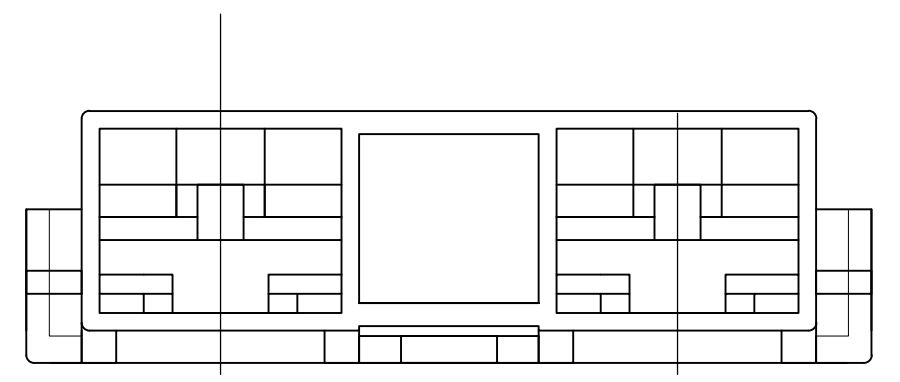
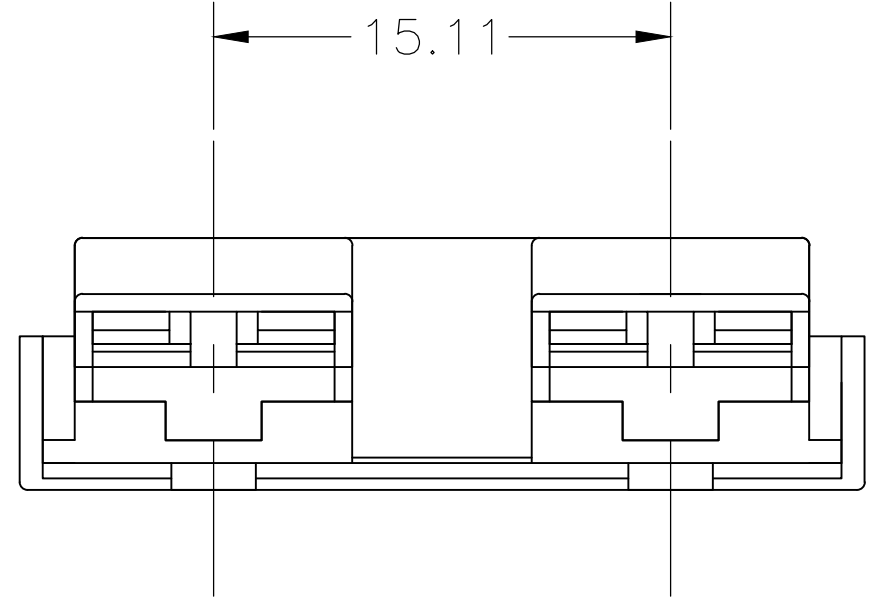
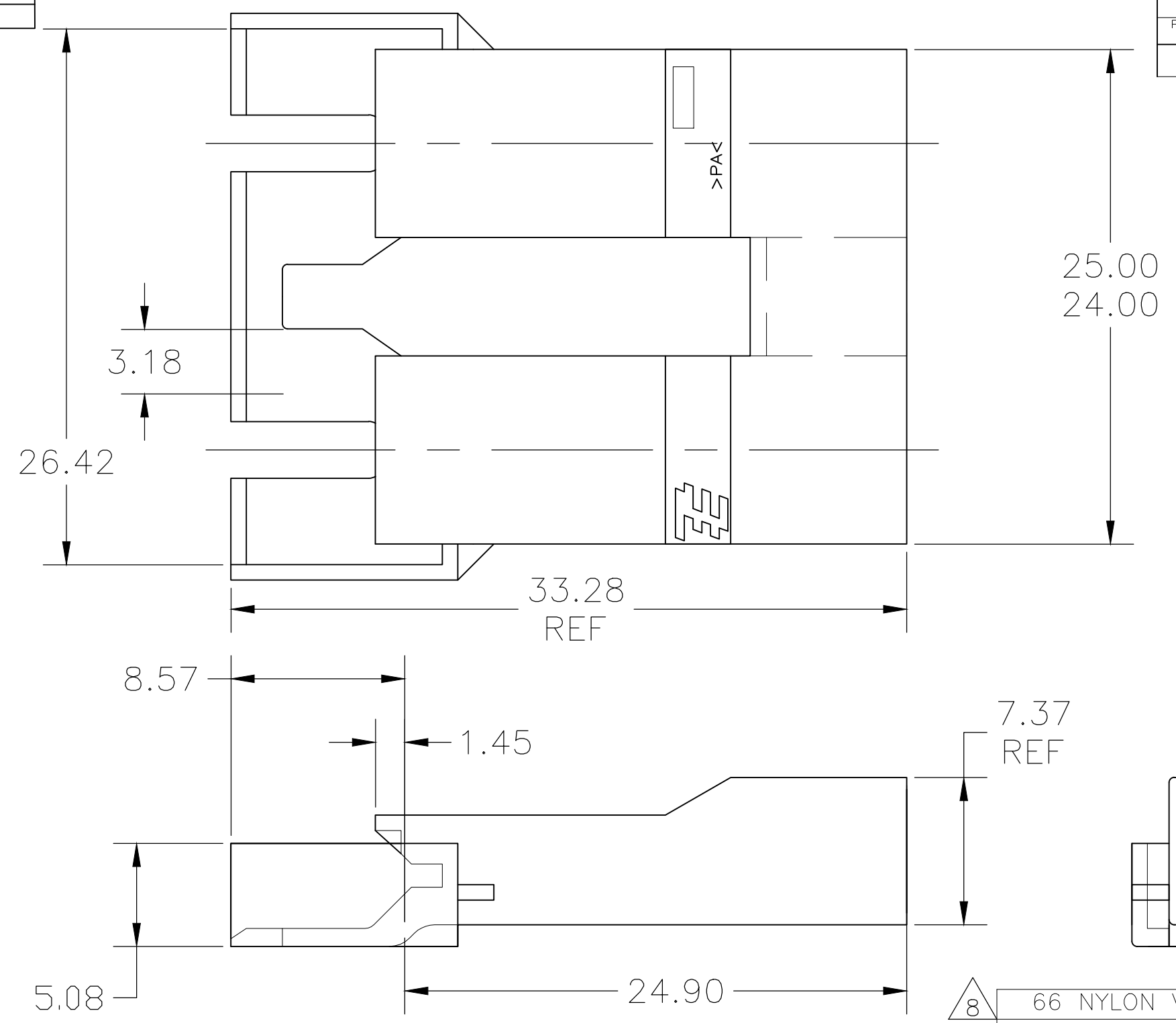


THIS DRAWING IS UNPUBLISHED. RELEASED FOR PUBLICATION  
 © COPYRIGHT - - ALL RIGHTS RESERVED.

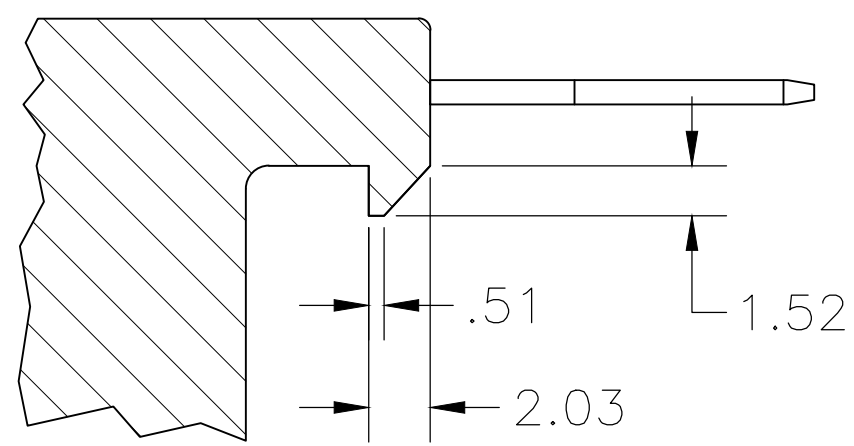
REVISIONS					
P	LTR	DESCRIPTION	DATE	DWN	APVD
T10		REVISED PER ECR-18-010015	21NOV2018	BDA	DS



SUPERSEDED BY 5-521253-1

8	66 NYLON V0 BLUE	BLUE	5-521253-1
	66 NYLON V0 NATURAL	NATURAL	4-521253-8
7	66/6 V0 RED	RED	4-521253-2
	66/6 V0 NATURAL	NATURAL	4-521253-1
	6 NYLON, V2	RED	3-521253-2
	66 NYLON V0	BLUE	3-521253-7
	6/6 NYLON, V0	PURPLE	3-521253-6
	6 NYLON, V2	NATURAL	2-521253-1
	66/6 NYLON V0	BLUE	1-521253-7
		PURPLE	1-521253-6
		YELLOW	1-521253-4
		GREEN	1-521253-3
		RED	1-521253-2
		NATURAL	1-521253-1
	6/6 NYLON V2	BLUE	521253-7
		PURPLE	521253-6
		BROWN	521253-5
		YELLOW	521253-4
		GREEN	521253-3
		RED	521253-2
		NATURAL	521253-1
	MATERIAL	FINISH/COLOR	PART NO

- 1 THIS HOUSING ACCEPTS LOW-INSERTION, PREMIER RECEPTACLE 63306, OR POSITIVE-LOCK MKIII RECEPTACLE 63854-1.
- 2 TO MAINTAIN PROPER TERMINAL INSERTION FORCE INTO HOUSING, HOUSINGS MUST BE KEPT IN THEIR MOISTURIZED CONDITION (AS RECEIVED) PRIOR TO ASSEMBLY.
- 3 MOLDED WITH GLOW-WIRE APPROVED MATERIAL
- 4 PRELIMINARY - NOT FOR PRODUCTION
- 5 OFFERED FOR CONSIDERATION IN APPLICATIONS REQUIRING 'NON-DRIP' HOUSING MATERIAL.
- 6 BLUE PARTS MAY APPEAR MEDIUM BLUE TO LIGHT BLUE TO LIGHT GRAY IN COLOR AND MAY ALSO EXHIBIT A MARBLING EFFECT
- 7 NOT FOR PRODUCTION: AGENCY APPROVAL IS PENDING.
- 8 PARTS MAY APPEAR MEDIUM COLORED TO LIGHT COLORED AND EXHIBIT A MARBLING EFFECT.



PROPOSED MATING LOCKING DESIGN

OBSOLETE

THIS DRAWING IS A CONTROLLED DOCUMENT.		DWN	JR RUTH	05JAN00
DIMENSIONS: mm		CHK	MS FEHER	05JAN00
TOLERANCES UNLESS OTHERWISE SPECIFIED:		APVD	D BRATINA	05JAN00
0 PLC	± -	PRODUCT SPEC		
1 PLC	± -	APPLICATION SPEC		
2 PLC	± 0.25 [.010]			
3 PLC	± -			
4 PLC	± -			
ANGLES	± -			
MATERIAL	FINISH	WEIGHT		
SEE TABLE	-	-		
CUSTOMER DRAWING		SCALE	4:1	SHEET 1 OF 1
		REV	T10	



HOUSING, RECEPTACLE, FASTON OR POSITIVE-LOCK, 6.35 [.250] SERIES