

5205818-3 ✓ ACTIVE

AMPLIMITE | AMPLIMITE Kit

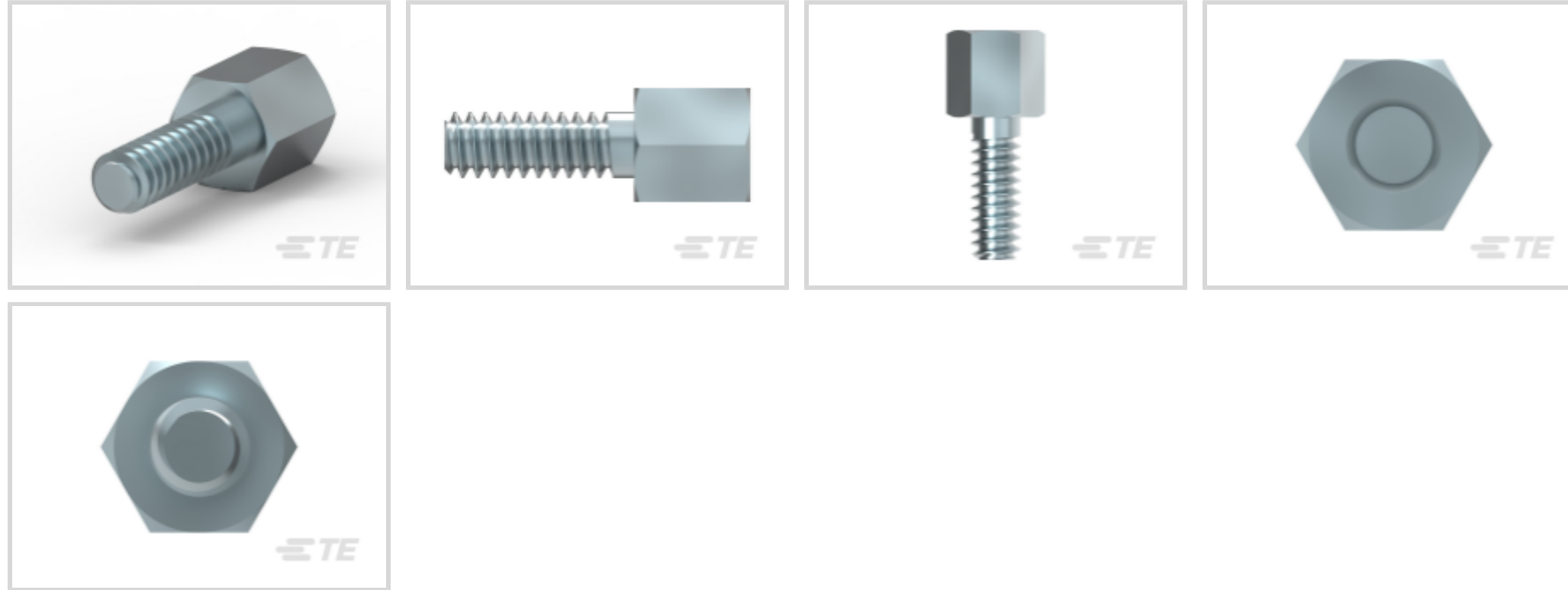
TE Internal #: 5205818-3

D-Sub Locking & Mounting, Female Screwlocks, Screw Length  
12.77 mm [.503 in], AMPLIMITE Kit

[View on TE.com >](#)



Connectors > D-Shaped Connectors > D-Sub Accessories > Locking & Mounting



D-Shaped Connector Accessories: **Female Screwlocks**

Screw Length: 12.77 mm [.503 in]

## Features

### Product Type Features

Product Type	Accessory
D-Shaped Connector Accessories	Female Screwlocks

### Mechanical Attachment

Screwlock Style	Screwlock Only
Screw Finish	Clear Chromate
Screw & Hole Thread Size	4-40 UNC
Screw Length	12.77 mm[.503 in]

### Dimensions

Thread Length	7.92 mm[.312 in]
---------------	------------------

### Packaging Features

Packaging Quantity	1
Packaging Method	Package

## Product Compliance

[For compliance documentation, visit the product page on TE.com>](#)

EU RoHS Directive 2011/65/EU	Compliant with Exemptions
------------------------------	---------------------------



EU ELV Directive 2000/53/EC

Compliant with Exemptions

China RoHS 2 Directive MIIT Order No 32, 2016

Restricted Materials Above Threshold

EU REACH Regulation (EC) No. 1907/2006

Current ECHA Candidate List: JUNE 2022 (224)

Candidate List Declared Against: JAN 2022 (223)

SVHC > Threshold:

Pb (.35% in Component Part)

**Article Safe Usage Statements:**

Do not eat, drink or smoke when using this product. Wash thoroughly after handling. Recycle if possible and dispose of the article by following all applicable governmental regulations relevant to your geographic location.

Halogen Content

Low Halogen - Br, Cl, F, I < 900 ppm per homogenous material. Also BFR/CFR/PVC Free

Solder Process Capability

Not applicable for solder process capability

**Product Compliance Disclaimer**

This information is provided based on reasonable inquiry of our suppliers and represents our current actual knowledge based on the information they provided. This information is subject to change. The part numbers that TE has identified as EU RoHS compliant have a maximum concentration of 0.1% by weight in homogenous materials for lead, hexavalent chromium, mercury, PBB, PBDE, DBP, BBP, DEHP, DIBP, and 0.01% for cadmium, or qualify for an exemption to these limits as defined in the Annexes of Directive 2011/65/EU (RoHS2). Finished electrical and electronic equipment products will be CE marked as required by Directive 2011/65/EU. Components may not be CE marked. Additionally, the part numbers that TE has identified as EU ELV compliant have a maximum concentration of 0.1% by weight in homogenous materials for lead, hexavalent chromium, and mercury, and 0.01% for cadmium, or qualify for an exemption to these limits as defined in the Annexes of Directive 2000/53/EC (ELV). Regarding the REACH Regulation, the information TE provides on SVHC in articles for this part number is based on the latest European Chemicals Agency (ECHA) 'Guidance on requirements for substances in articles' posted at this URL: <https://echa.europa.eu/guidance-documents/guidance-on-reach>

## Compatible Parts



Also in the Series | **AMPLIMITE Kit**



D-Sub Backshells &amp; Clamps(135)



D-Sub Contact Accessories(1)

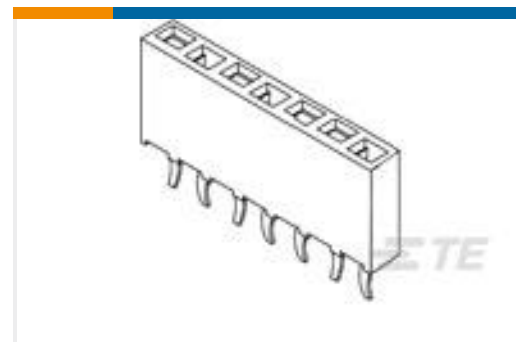
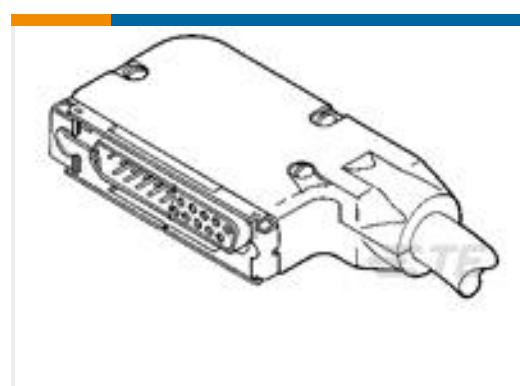


D-Sub Covers(3)



D-Sub Locking &amp; Mounting(122)

## Customers Also Bought

TE Part #1658611-3  
15 POS HDF PLUG, APTE Part #2176050-2  
RLP73M 1E R056 5% 5K RLTE Part #215297-3  
3P HV100 REC CON. TE, 7.0MMTE Part #6648418-1  
CONTACT,SKT,SIZE #0TE Part #2176306-8  
RP 1E 0.1W 1K37 0.1% 25PPM 5K RLTE Part #5745653-5  
DIECAST STRAIN RELIEF KIT,SZ 3TE Part #TAD14741311-007  
M12D4-MS-MS-PVC TYPE B RED-10.0  
MTE Part #1757837-3  
AMPLIMITE,PLUG ASY,R/A,109,ZN,3  
MTE Part #600253N007  
RD10A16-19-P6CS051/1

## Documents

### Product Drawings

FEMALE SCREWLOCK,PLTD

English

### CAD Files

3D PDF

3D

### Customer View Model

ENG\_CVM\_CVM\_5205818-3\_C.2d\_dxf.zip



English

**Customer View Model**

[ENG\\_CVM\\_CVM\\_5205818-3\\_C.3d\\_igs.zip](#)

English

**Customer View Model**

[ENG\\_CVM\\_CVM\\_5205818-3\\_C.3d\\_stp.zip](#)

English

By downloading the CAD file I accept and agree to the [Terms and Conditions](#) of use.

---

### Datasheets & Catalog Pages

[AMPLIMITE Subminiature D Connectors - Cable Connectors](#)

English

[AMPLIMITE Cable Connectors and Shielding Hardware Kits QRG](#)

English

---

### Product Environmental Compliance

[MD\\_5205818-3\\_10052017235\\_dmtec](#)

English

[MD\\_5205818-3\\_10052017235\\_dmtec](#)

English