

SECTION A-A

SECTION B-B

NOTES

- 1. 材料及び仕上げ(めっき仕様) : TABLE 1 参照
MATERIAL AND FINISHES : SEE TABLE 1
- 2. 適合ハウジング : 51163シリーズ
APPLY MATE HOUSING : 51163 SERIES
- 3. 適合リテーナー : 51164シリーズ
APPLY MATE RETAINER : 51164 SERIES
- 4. 圧着仕様書 : 507520000-CS PS 000
CRIMP SPECIFICATION:507520000-CS PS 000

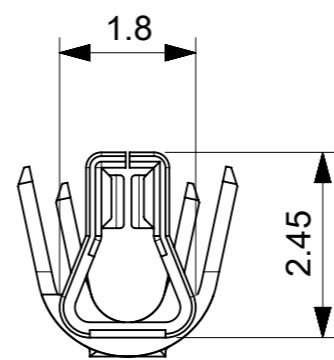


TABLE 1

部品 PART	材質 MATERIAL
ターミナル TERMINAL	りん青銅 PHOSPHOR BRONZE
	錫めっき : 0.9 MICROMETER MINIMUM MATTE TIN
	リフロー処理(前めっき) REFLOW TREATMENT (PRE-PLATING)

2.4	2.48	1.3	1.42	Φ1.28-1.42mm	AWG#24-26	リール REEL	507528400	連鎖状 CHAIN
2.9	2.51	1.9	2.05	Φ1.5-1.8mm	AWG#20-22	リール REEL	507528200	連鎖状 CHAIN
D	C	B	A	絶縁被覆外径範囲 INS. RANGE	適用電線範囲 WIRE RANGE	梱包形態 PACKAGING	発注番号 ORDER No.	端子形状 FORM

THIS DRAWING CONTAINS INFORMATION THAT IS PROPRIETARY TO MOLEX ELECTRONIC TECHNOLOGIES, LLC AND SHOULD NOT BE USED WITHOUT WRITTEN PERMISSION

DIMENSION UNITS mm	SCALE NTS	CURRENT REV DESC:		molex		
GENERAL TOLERANCES (UNLESS SPECIFIED)		EC NO: 606178				
ANGULAR TOL	± 3.0 °	DRWN: RWATANABE01	2018/09/25	PRODUCT CUSTOMER DRAWING		
4 PLACES	± 0.2	CHK'D: KOMURAKAMI	2018/10/22	DOCUMENT NUMBER		
3 PLACES	± 0.2	APPR: TKANEKO	2018/10/23	507520000-SD		
2 PLACES	± 0.2	INITIAL REVISION:		DOC TYPE	DOC PART	REVISION
1 PLACE	± 0.2	DRWN: RWATANABE01	2018/03/14	PSD	001	B
0 PLACES	± 0.2	APPR: TKANEKO	2018/09/10	SHEET NUMBER		
DRAFT WHERE APPLICABLE MUST REMAIN WITHIN DIMENSIONS		THIRD ANGLE PROJECTION	DRAWING	SERIES	MATERIAL NUMBER	CUSTOMER
			A3-SIZE	50752	SEE CHART	GENERAL