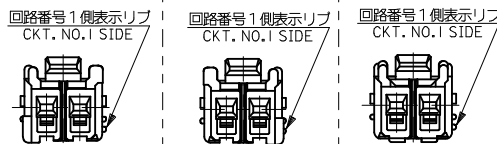
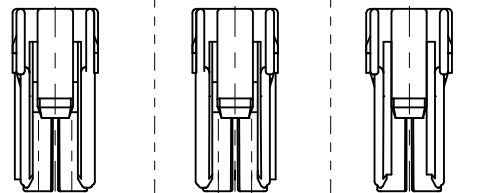


REC TERM  
56187/56188-8\*00  
501395/500989-1\*00

嵌合断面図  
MATED CROSS SECTION

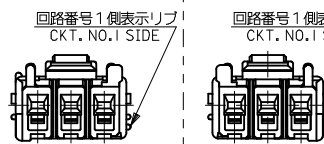
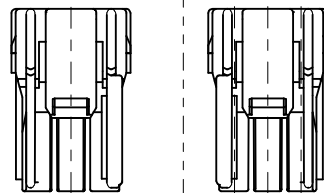
各種形状を下記に参考として示す。  
尚、2種及び3種については嵌合間口にて誤嵌合/バリエーションを持たせている為組み合わせには注意して下さい。

2極品の形状  
SHAPE OF 2 CIRCUITS



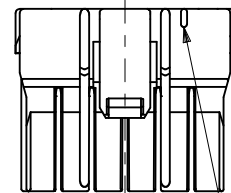
SHAPE OF 51347-0200    SHAPE OF 51347-0212    SHAPE OF 51347-0224

3極品の形状  
SHAPE OF 3 CIRCUITS



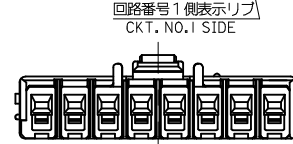
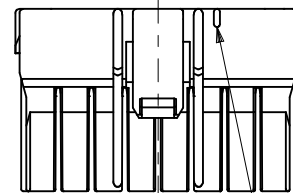
SHAPE OF 51347-0300    SHAPE OF 51347-0312

6極品の形状  
SHAPE OF 6 CIRCUITS



SHAPE OF 51347-0650

8極品の形状  
SHAPE OF 8 CIRCUITS



SHAPE OF 51347-0850

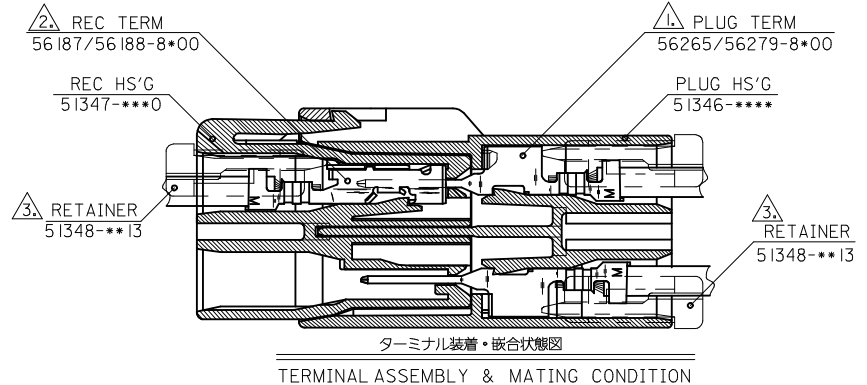
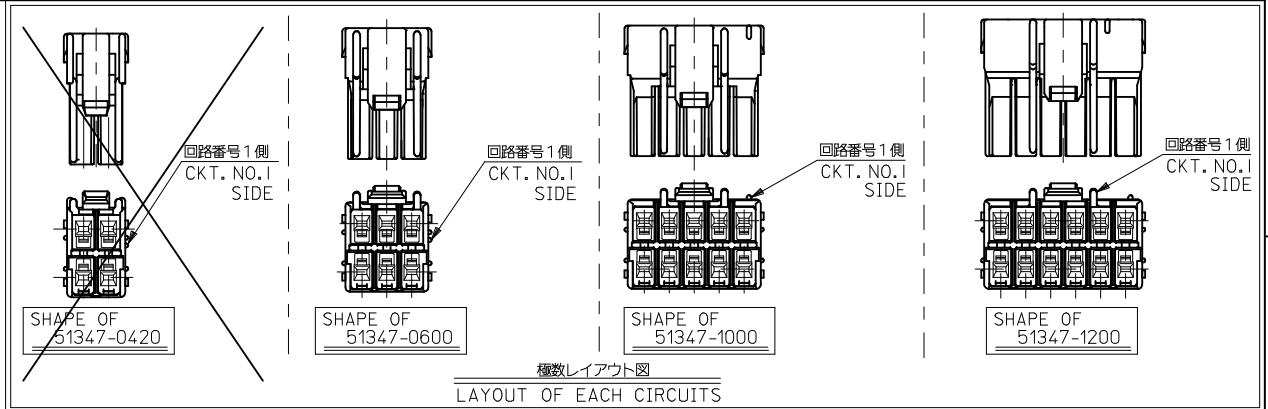
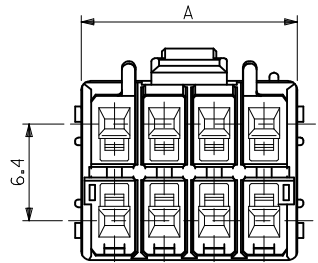
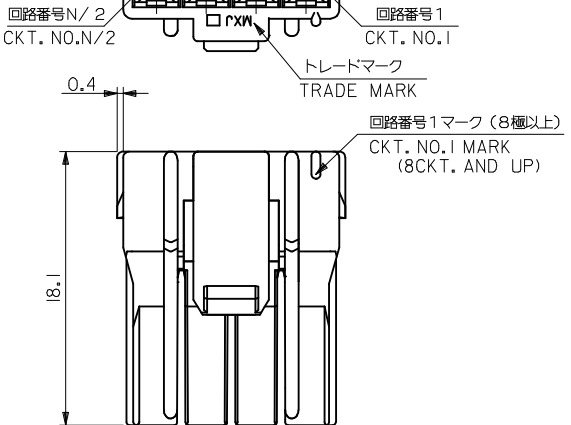
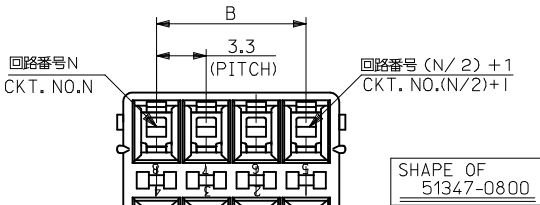
- 注記 NOTES
- 適合ターミナル : 56187/56188-8\*00, 500989-1\*00  
APPLICABLE TERMINAL  
詳細はSD-56187-002/SD-56188-002/SD-500989-002 参照のこと。  
REFERENCE:SD-56187-002/SD-56188-002/SD-500989-002
  - 嵌合相手 : 55883-\*\*\*\*  
MATE WITH  
詳細はSD-55883-\*\*\*\* 参照のこと。  
REFERENCE:SD-55883-\*\*\*\*
  - 適合リテーナー : 51348-\*\*\*13  
APPLICABLE RETAINER  
詳細はSD-51348-\*\*\* 参照のこと。  
REFERENCE:SD-51348-\*\*\*
  - 材料 : ポリアミド (PA) UL94V-0  
MATERIAL : POLYAMIDE(PA) UL94V-0
  - ELV及びRoHS 適合品  
ELV AND RoHS COMPLIANT

COLOR	B	A	CKT.	MATERIAL NO.	MODEL NO.
NATURAL (IVORY)	23.1	27.5	8	51347-0850	51347-****
NATURAL (IVORY)	16.5	20.9	6	-0650	
NATURAL (IVORY)	9.9	14.3	4	-0400	
RED	6.6	11		-0312	
NATURAL (IVORY)	6.6	11	3	-0300	
BLUE	3.3	7.7		-0224	
RED	3.3	7.7	2	-0212	
NATURAL (IVORY)	3.3	7.7		51347-0200	

MATERIAL 材料	注記参照 SEE NOTES.	REVISED EC NO.: J2010-0432 DRWN: YOSHIKAWA 2009/09/11 CHK'D: ASAKAWA 2009/09/14 APPR: NUKITA 2009/09/15	GENERAL TOLERANCES (UNLESS SPECIFIED)	DIMENSION STYLE MM ONLY	SCALE ---	DESIGN UNITS METRIC	TITLE 3.3 W/B CONN REC HSG
FINISH 仕上げ	#	DESCRIPTION REV	10 UNDER ±0.2	DRAWN BY T.ODA	DATE 2004/01/15	MATERIAL NO. DOCUMENT NO.	THIRD ANGLE PROJECTION
WIRE RANGE 適用電線範囲	#		10 OVER 30 UNDER ±0.25	CHECKED BY S.ICHIKAWA	DATE		
INS. RANGE 被覆外径	#		30 OVER ±0.3	APPROVED BY Y. ITO	DATE		
			ANGULAR ±3 °	MATERIAL NO.	DATE		
		DRAFT WHERE APPLICABLE MUST REMAIN WITHIN DIMENSIONS	SEE CHART	MOLEX INCORPORATED		SD-51347-001	SHEET NO. 1 OF 1
				THIS DRAWING CONTAINS INFORMATION THAT IS PROPRIETARY TO MOLEX INCORPORATED AND SHOULD NOT BE USED WITHOUT WRITTEN PERMISSION			

10 9 8 7 6 5 4 3 2 1

本図は2列品を示す  
DUAL ROW ASS'Y



注記  
NOTES

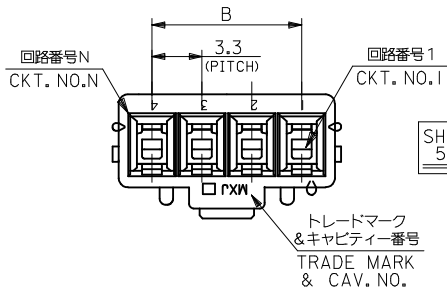
- 1. 適合ターミナル: 56187/56188シリーズ  
APPLICABLE TERMINAL: 56187/56188 SERIES
- 2. 嵌合相手: 51346シリーズ  
MATE WITH: 51346 SERIES
- 3. 適合リテーナー: 51348-\*\*\*1\* シリーズ  
APPLICABLE RETAINER: 51348-\*\*\*1\* SERIES
- 4. 材質: NYLON66, UL94V-0

51346-1200	51348-0613	NATURAL	16.5	20.9	12	51347-1200	
-1000	-0513	4	13.2	17.6	10	-1000	51347-****
-0800	-0413	4	9.9	14.3	8	-0800	
51346-0600	51348-0313	NATURAL	6.6	11	6	51347-0600	
51346-0420	51348-0213	NATURAL	3.3	7.7	4	51347-0420	
MATE WITH	CONFORMABLE-RETAINER	COLOR	B	A	CKT.	MATERIAL NO.	MODEL NO.

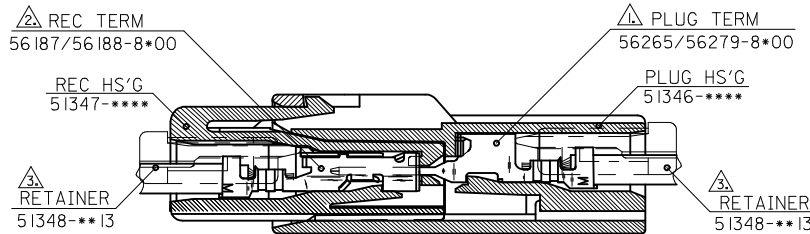
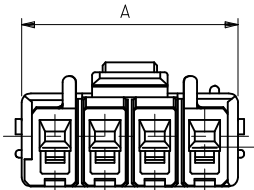
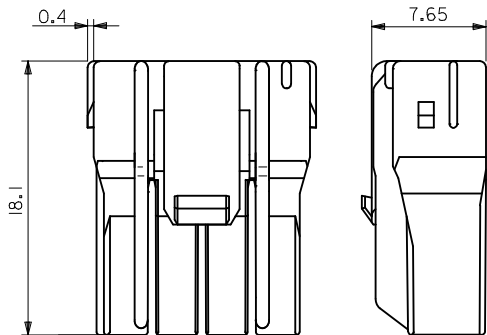
REVISED EC NO.: J2013-0477 2012/10/23 DRWN: ITO CHKD: KASAKAWA 2012/10/24 APPR: Y. ITO 2012/10/24	DESCRIPTION	GENERAL TOLERANCES (UNLESS SPECIFIED)		DIMENSION STYLE MM ONLY		SCALE ---		DESIGN UNITS METRIC		THIRD ANGLE PROJECTION		
		10 UNDER	±0.2	DRAWN BY	DATE	TITLE 3.3 W/W CONN REC HS'G						
		10 OVER 30 UNDER	±0.25	T. ODA	'04/01/15							
		30 OVER	±0.3	CHECKED BY	DATE							
		ANGULAR	±3 °	APPROVED BY	DATE	Y. ITO		DOCUMENT NO.		SHEET NO.		
		DRAFT WHERE APPLICABLE MUST REMAIN WITHIN DIMENSIONS		MATERIAL NO.		SEE TABLE		SD-51347-002		1 OF 2		
				SIZE A3		THIS DRAWING CONTAINS INFORMATION THAT IS PROPRIETARY TO MOLEX INCORPORATED AND SHOULD NOT BE USED WITHOUT WRITTEN PERMISSION						

9 8 7 6 5 4 3 2

本図は1列品を示す  
SINGLE ROW ASS'Y



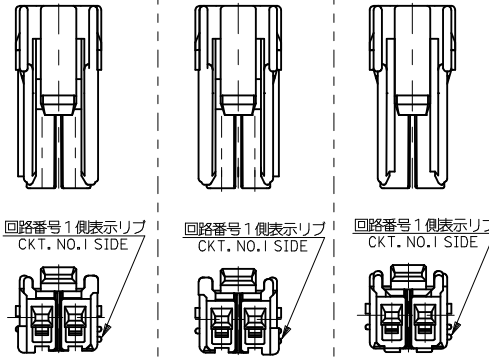
SHAPE OF 51347-0400



ターミナル装着・嵌合状態図  
TERMINAL ASSEMBLY & MATING CONDITION

各種形状を下記に参考として示す。  
尚、2種及び3種については嵌合間口にて誤嵌合/パリエーションを持たせている為組み合わせには注意して下さい。

2極品の形状  
SHAPE OF 2 CIRCUITS

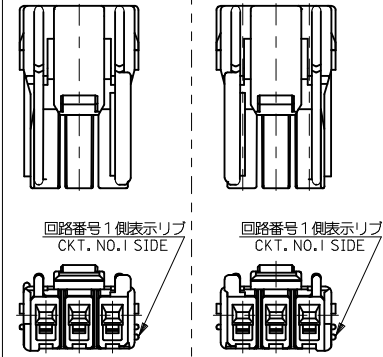


SHAPE OF 51347-0200

SHAPE OF 51347-0212

SHAPE OF 51347-0224

3極品の形状  
SHAPE OF 3 CIRCUITS



SHAPE OF 51347-0300

SHAPE OF 51347-0312

- 注記 NOTES
- △ 適合ターミナル APPLICABLE TERMINAL : 56265/56279-8\*00  
詳細はSD-56265-001/SD-56279-001参照のこと。  
REFERENCE:SD-56265-001/SD-56279-001
  - △ 適合ターミナル APPLICABLE TERMINAL : 56187/56188-8\*00  
詳細はSD-56187-002/SD-56188-002参照のこと。  
REFERENCE:SD-56187-002/SD-56188-002
  - △ 適合リテーナー APPLICABLE RETAINER : 51348-\*\*\*13  
詳細はSD-51348-\*\*\*\*参照のこと。  
REFERENCE:SD-51348-\*\*\*\*
- 4, 材料 MATERIAL : NYLON66, UL94V-0

51346-0400	51348-0413	NATURAL	9.9	14.3	4	51347-0400	51347-****
-0312	-0313	RED	6.6	11	3	-0312	
-0300	-0313	NATURAL	6.6	11		-0300	
-0224	-0213	BLUE	3.3	7.7		-0224	
-0212	-0213	RED	3.3	7.7	2	-0212	
51346-0200	51348-0213	NATURAL	3.3	7.7		51347-0200	
MATE WITH	CONFORMABLE-RETAINER	COLOR	B	A	CKT.	MATERIAL NO.	MODEL NO.

REVISED EC NO: J2013-0477 2012/10/23 DRWN: ITO CHKD: KASAKAWA 2012/10/24 APPR: Y010 2012/10/24	DESCRIPTION REV	GENERAL TOLERANCES (UNLESS SPECIFIED)		DIMENSION STYLE MM ONLY		SCALE ---		DESIGN UNITS METRIC		THIRD ANGLE PROJECTION		
		10 UNDER	±0.2	DRAWN BY	DATE	TITLE 3.3W/W CONN REC HS'G						
		10 OVER 30 UNDER	±0.25	T. ODA	'04/01/15							
		30 OVER	±0.3	CHECKED BY	DATE							
		ANGULAR	±3 °	APPROVED BY	DATE	MATERIAL NO.		DOCUMENT NO.		SHEET NO.		
		DRAFT WHERE APPLICABLE MUST REMAIN WITHIN DIMENSIONS		SEE TABLE		SD-51347-002		2 OF 2				
		THIS DRAWING CONTAINS INFORMATION THAT IS PROPRIETARY TO MOLEX INCORPORATED AND SHOULD NOT BE USED WITHOUT WRITTEN PERMISSION										