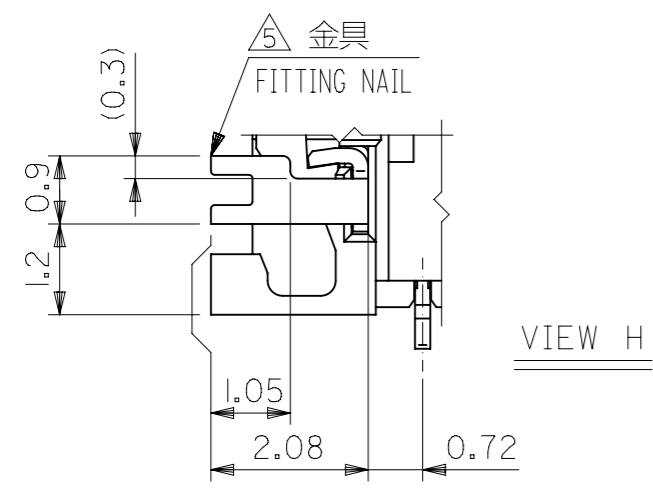
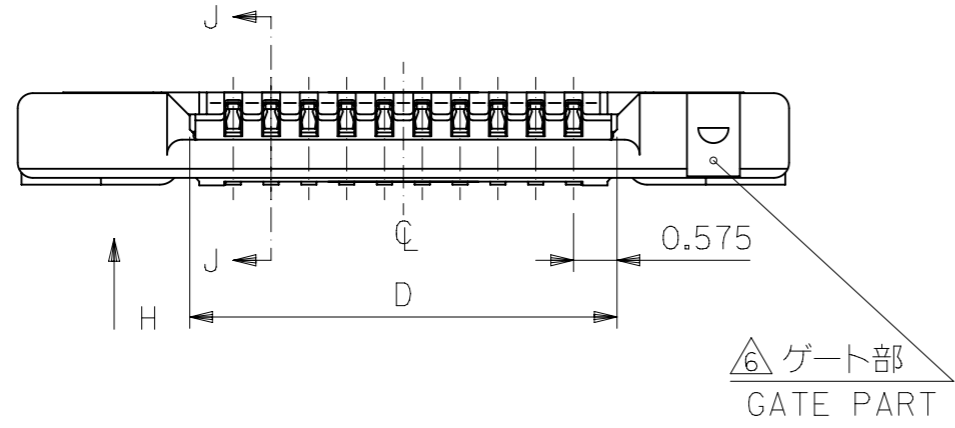
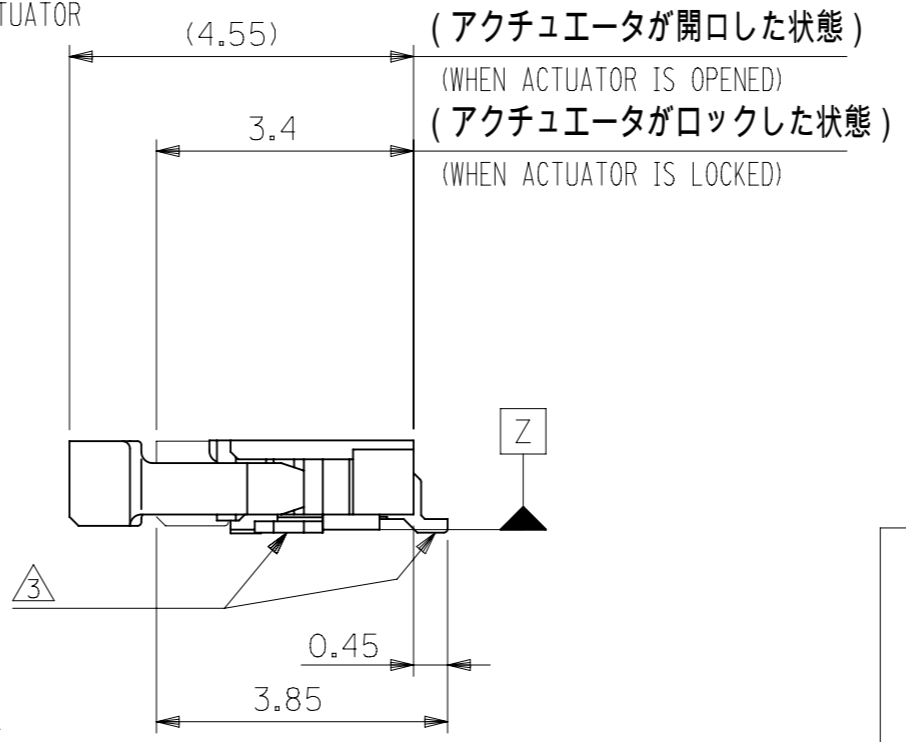


SECT. J-J  
SCALE 20:1



0.3 ± 0.03	13.65	17	12.5	18.2	54550-2671	26
	12.65	16	11.5	17.2	54550-2471	24
	11.15	14.5	10	15.7	54550-2171	21
	10.65	14	9.5	15.2	54550-2071	20
	9.65	13	8.5	14.2	54550-1871	18
	8.65	12	7.5	13.2	54550-1671	16
	7.65	11	6.5	12.2	54550-1471	14
	6.65	10	5.5	11.2	54550-1271	12
	5.65	9	4.5	10.2	54550-1071	10
	5.15	8.5	4	9.7	54550-0971	9
	4.65	8	3.5	9.2	54550-0871	8
	4.15	7.5	3	8.7	54550-0771	7
3.65	7	2.5	8.2	54550-0671	6	
3.15	6.5	2	7.7	54550-0571	5	
2.65	6	1.5	7.2	54550-0471	4	
THICKNESS OF FPC	D	C	B	A	EMBOSSED TAPE	極数
					ORDER No. オーダー番号	Ckt

CONNECTOR SERIES NO. 54550-\*\*29

THIS DRAWING CONTAINS INFORMATION THAT IS PROPRIETARY TO MOLEX ELECTRONIC TECHNOLOGIES, LLC AND SHOULD NOT BE USED WITHOUT WRITTEN PERMISSION

mm 10:1

GENERAL TOLERANCES (UNLESS SPECIFIED)

ANGULAR TOL ± 3.0°

4 PLACES ±

3 PLACES ±

2 PLACES ±

1 PLACE ±

0 PLACES ±

DRAFT WHERE APPLICABLE MUST REMAIN WITHIN DIMENSIONS

THIRD ANGLE PROJECTION

DRAWING A3-SIZE

SERIES 54550

MATERIAL NUMBER SEE TABLE

CUSTOMER GENERAL MARKET

SHEET NUMBER 1 OF 2

EC NO: 643543  
DRWN: AHMADI2 2020/08/18  
CHK'D: HSHIMOIYAMA 2020/08/20  
APPR: SHOSHIKAWA 2020/08/20

INITIAL REVISION:  
DRWN: MNINOMIYA 2004/03/02  
APPR: MSASAO 2004/03/05

**molex**

0.5 FPC CONN. HSG ASSY FOR SMT RA U/CONTACT

PRODUCT CUSTOMER DRAWING

DOCUMENT NUMBER SD-54550-042

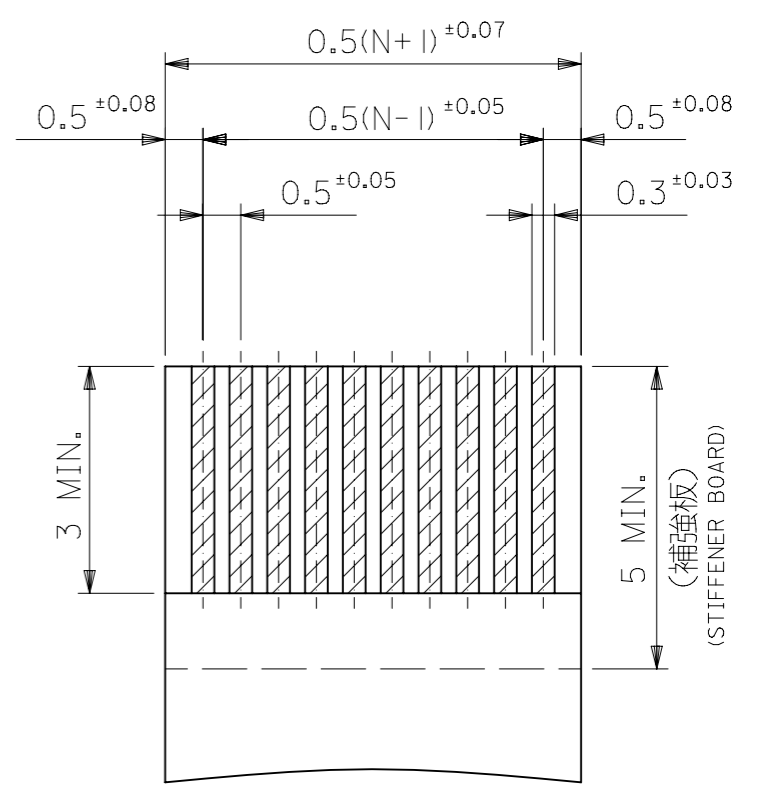
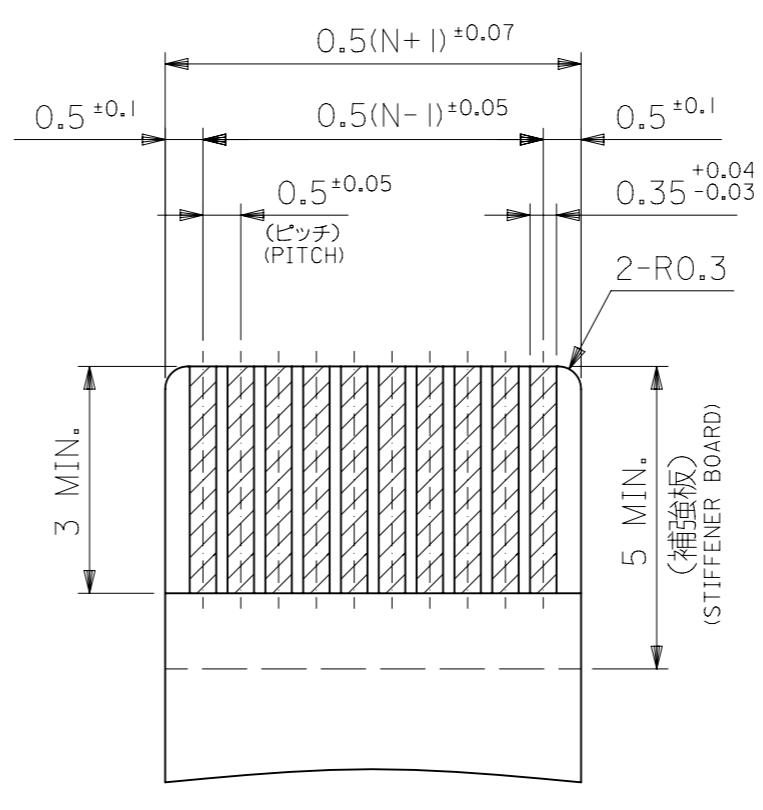
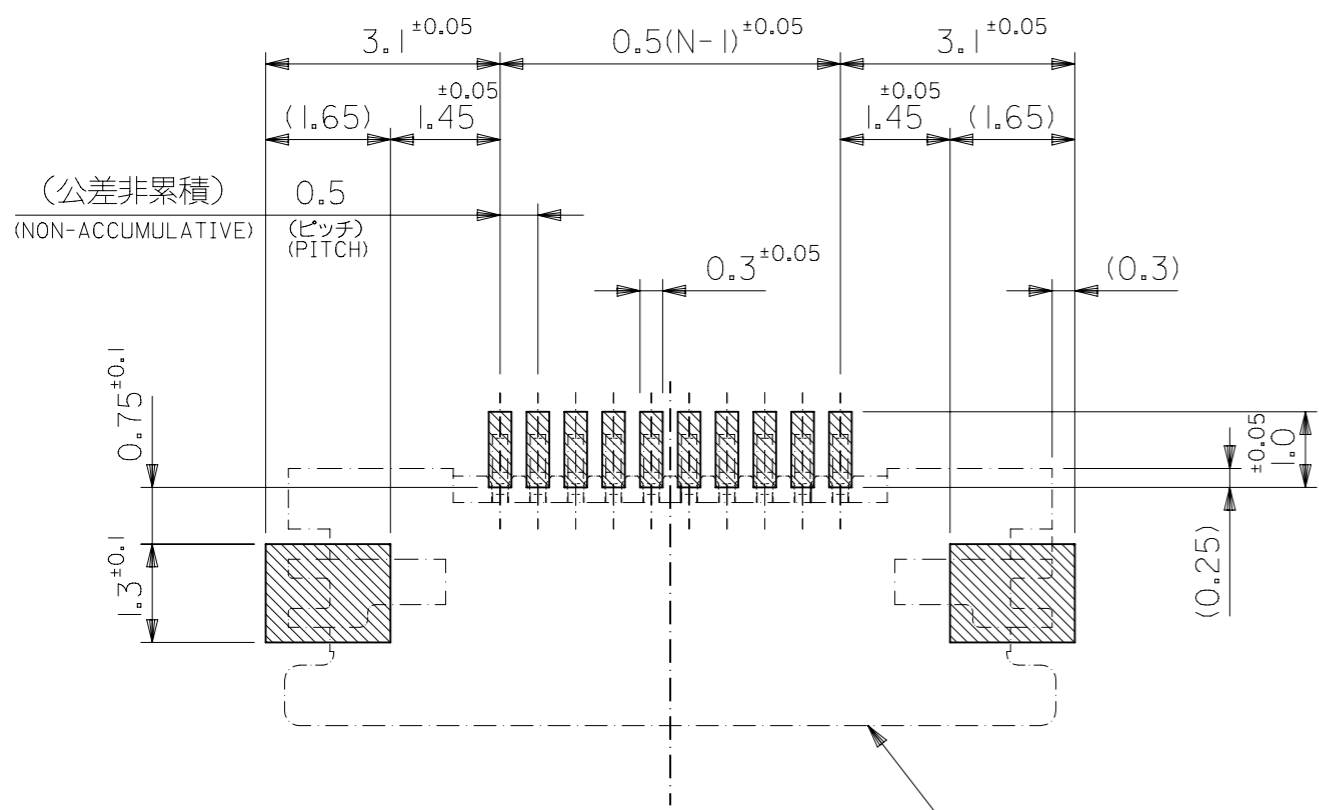
DOC TYPE PSD

DOC PART 001

REVISION P

GENERAL TOLERANCES (UNLESS SPECIFIED)

10 <sup>UNDER</sup>	±0.2
10 <sup>OVER</sup> 30 <sup>UNDER</sup>	±0.25
30 <sup>OVER</sup>	±0.3



参考基板レイアウト  
RECOMMENDED P.C.BOARD  
PATTERN DIMENSION (REF.)  
(マウント面)  
(MOUNTING SIDE)

適合FPC推奨寸法  
APPLICABLE FPC  
RECOMMENDED DIMENSION  
(仕上がり厚さ:表参照)  
(THICKNESS:SEE CHART)

適合FFC推奨寸法  
APPLICABLE FFC  
RECOMMENDED DIMENSION  
(仕上がり厚さ:表参照)  
(THICKNESS:SEE CHART)

注記 NOTES

1. 使用材料 MATERIAL
- ハウジング : LCP, UL94V-0
  - ハウジング HOUSING
  - アクチュエータ : PPS, UL94V-0
  - アクチュエータ ACTUATOR
  - ターミナル : リン青銅
  - ターミナル TERMINAL PHOSPHOR BRONZE
  - メッキ : 接点部:金メッキ
  - メッキ PLATING CONTACT PORTION : GOLD PLATING
  - 半田付部:錫メッキ
  - 半田付部 SOLDERING PORTION : TIN PLATING
  - 下地:ニッケルメッキ
  - 下地 UNDER PLATING : NICKEL PLATING
  - 金具 : リン青銅, ニッケル下地 錫メッキ
  - 金具 FITTING NAIL PHOSPHOR BRONZE, TIN OVER NICKEL PLATING
2. エンボステープ梱包時は、アクチュエータがロックした状態とする。  
IN THE PACKAGE, ACTUATOR OF PART NO.54550-\*\*29 SHOULD BE LOCKED.
3. ソルダータール半田付け面のズレ量、及び金具半田付け面のズレ量は、基準面 Z に対し上方向 0MAX.、下方向 0.15MAX.とし  
相互のパラッキ量は0.1MAX.とする。  
MISALIGNMENT OF SOLDER TAILS AND FITTING NAILS FROM Z UPPER DIRECTION: 0 MAX., LOWER DIRECTION: 0.15 MAX. OFFSET BETWEEN UPPER AND LOWER 0.1 MAX.
4. 偶数極に適用。  
APPLY FOR EVEN CIRCUIT.
5. パターンはくり止め用金具  
FITTING NAIL FOR PREVENTION OF PEELING OF P.C.B. PATTERN.
6. ゲート部は、左右どちらか一方にあるものとする。  
A GATE PART -- RIGHT AND LEFT -- IT SHALL BE IN EITHER.
7. 本製品は 54550-\*\*27 の鉛フリー品である。  
THIS PRODUCT IS LEAD FREE OF 54550-\*\*27.
8. N: 極数 N: CIRCUIT.
9. ELV 及び RoHS 適合品 / ELV AND RoHS COMPLIANT.

FPC/FFC について:

打ち抜き方向は導体側から補強板側を推奨します。  
導体部については軟銅箔35μmまたは50μmを推奨します。

ABOUT FPC/FFC

RECOMMENDED PUNCHER DIRECTION : FROM CONDUCTOR SIDE TO STIFFENER FILM SIDE.  
RECOMMENDED CONDUCTOR SPEC : THICKNESS OF SOFT COPPER FOIL : 35 MICROMETER OR 50 MICROMETER.

FPC について:

補強フィルム材質はポリイミドを推奨します。ベースフィルムは25μmを推奨します。  
接着剤は熱硬化接着剤を推奨します。  
尚、接着剤の接点部への付着は導通不良の原因になりますので、染み出しが無い様、お願い致します。

ABOUT FPC

RECOMMENDED MATERIAL/THICKNESS.  
STIFFENER FILM : POLYIMIDE  
BASE FILM THICKNESS : 25μm  
BONDING AGENT : THERMOSETTING BONDING AGENT  
PLEASE PUT APPROPRIATE AMOUNT OF ADHESIVE ON THE CONTACT AREA BECAUSE THE EXTRA ADHESIVE MAY CAUSE THE DEFECT IN ELECTRICAL CONTINUITY.

補強板: ポリイミド

STIFFNER BOARD: POLYIMIDE

熱硬化接着剤

THERMOSETTING ADHESIVE

ベースフィルム: ポリイミド (25μm)

BASE FILM: POLYIMIDE (25μm)

熱硬化接着剤

THERMOSETTING ADHESIVE

導体部: 銅箔 (35μm)

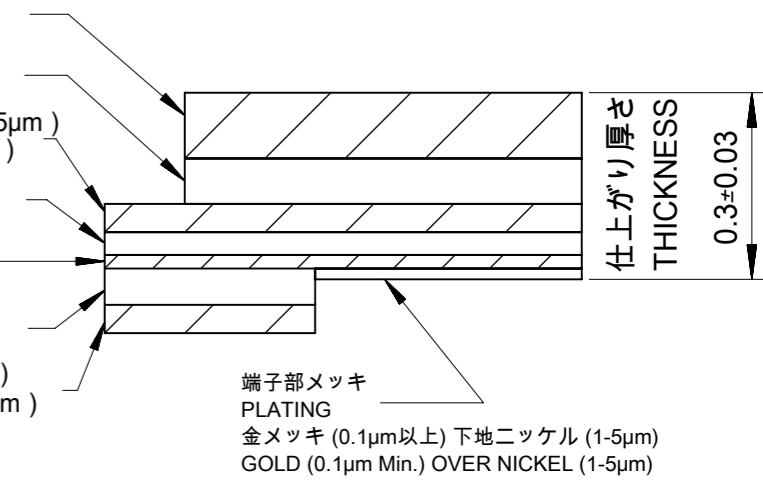
COPPER FOIL (35μm)

熱硬化接着剤

THERMOSETTING ADHESIVE

カバーレイ: ポリイミド (25μm)

COVER FILM: POLYIMIDE (25μm)



FPC構成推奨仕様  
STRUCTURE OF FPC

THIS DRAWING CONTAINS INFORMATION THAT IS PROPRIETARY TO MOLEX ELECTRONIC TECHNOLOGIES, LLC AND SHOULD NOT BE USED WITHOUT WRITTEN PERMISSION

DIMENSION UNITS	SCALE	CURRENT REV DESC:	
mm	1:1		
GENERAL TOLERANCES (UNLESS SPECIFIED)			
4 PLACES	±		
3 PLACES	±		
2 PLACES	±		
1 PLACE	±		
0 PLACES	±		
DRAFT WHERE APPLICABLE MUST REMAIN WITHIN DIMENSIONS			
THIRD ANGLE PROJECTION		DRAWING	SERIES
A3-SIZE		54550	
MATERIAL NUMBER		CUSTOMER	SHEET NUMBER
SEE TABLE		GENERAL MARKET	2 OF 2

EC NO: 643543  
DRWN: AHMADI2 2020/08/18  
CHK'D: HSHIMOYAMA 2020/08/20  
APPR: SHOSHIKAWA 2020/08/20

INITIAL REVISION:  
DRWN: MNINOMIYA 2004/03/02  
APPR: MSASAO 2004/03/05

**molex**

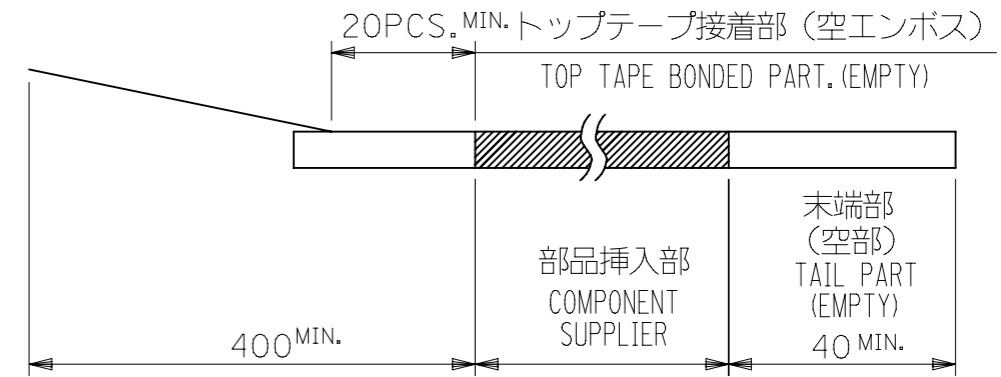
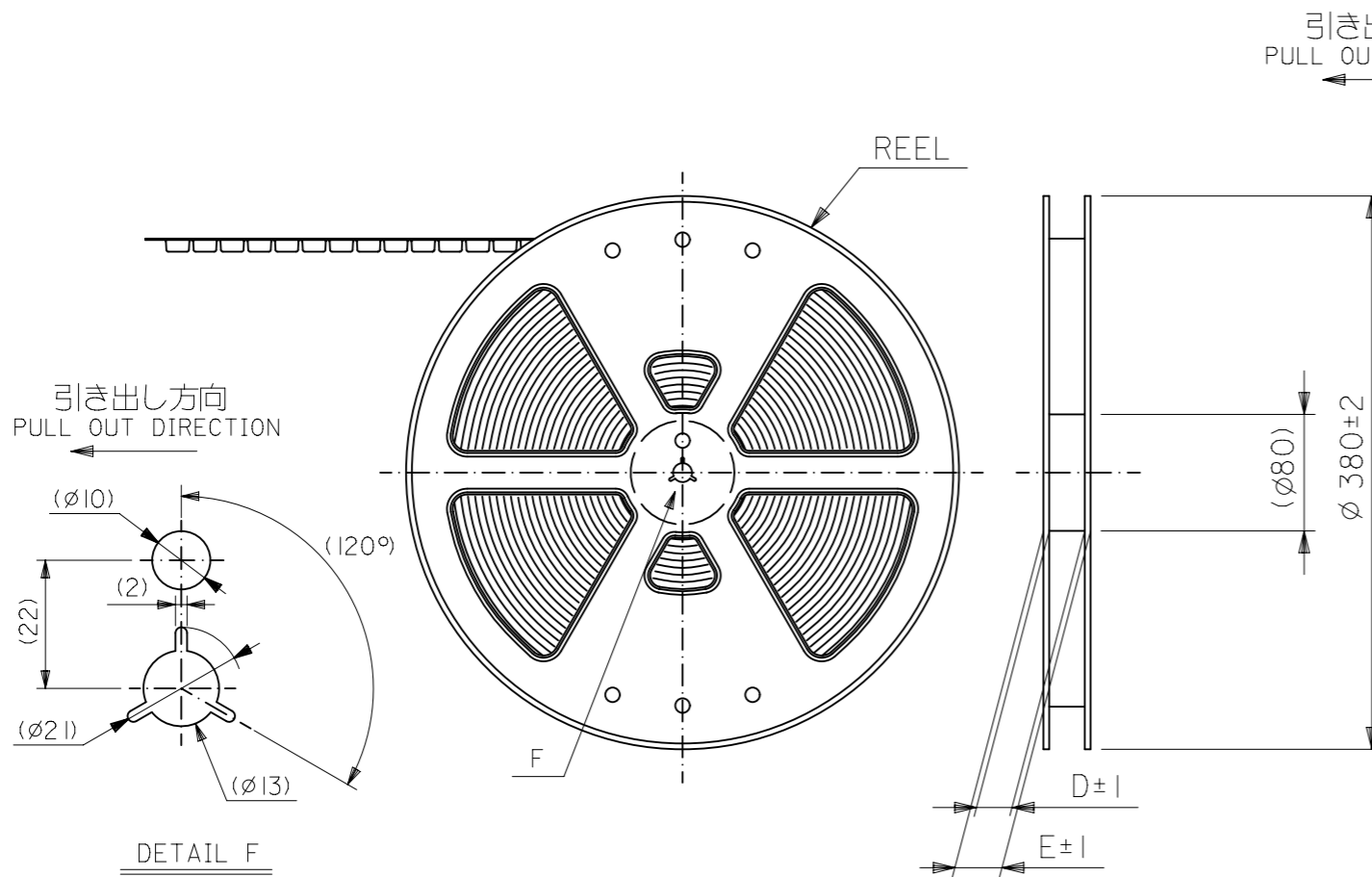
0.5 FPC CONN. HSG ASSY FOR SMT RA U/CONTACT

PRODUCT CUSTOMER DRAWING

DOCUMENT NUMBER: SD-54550-042  
DOC TYPE: PSD  
DOC PART: 001  
REVISION: P

NOTES

- 1. 製品詳細寸法については図面 SD-54550-042 を参照下さい。  
RE DETAILED DIMENSION, SEE SD-54550-042.
- 2. 梱包数量：3000個/リール  
NUMBER OF CONNECTORS : 3000PCS/REEL
- 3. リードテープ長さ LEAD TAPE LENGTH

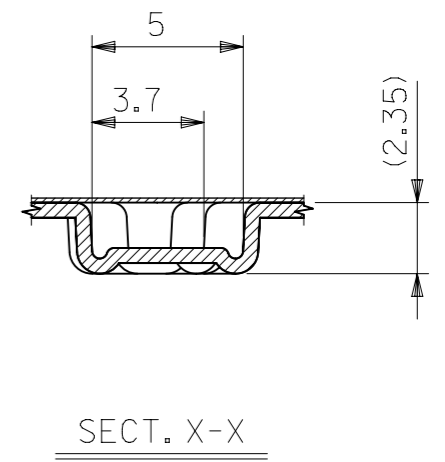
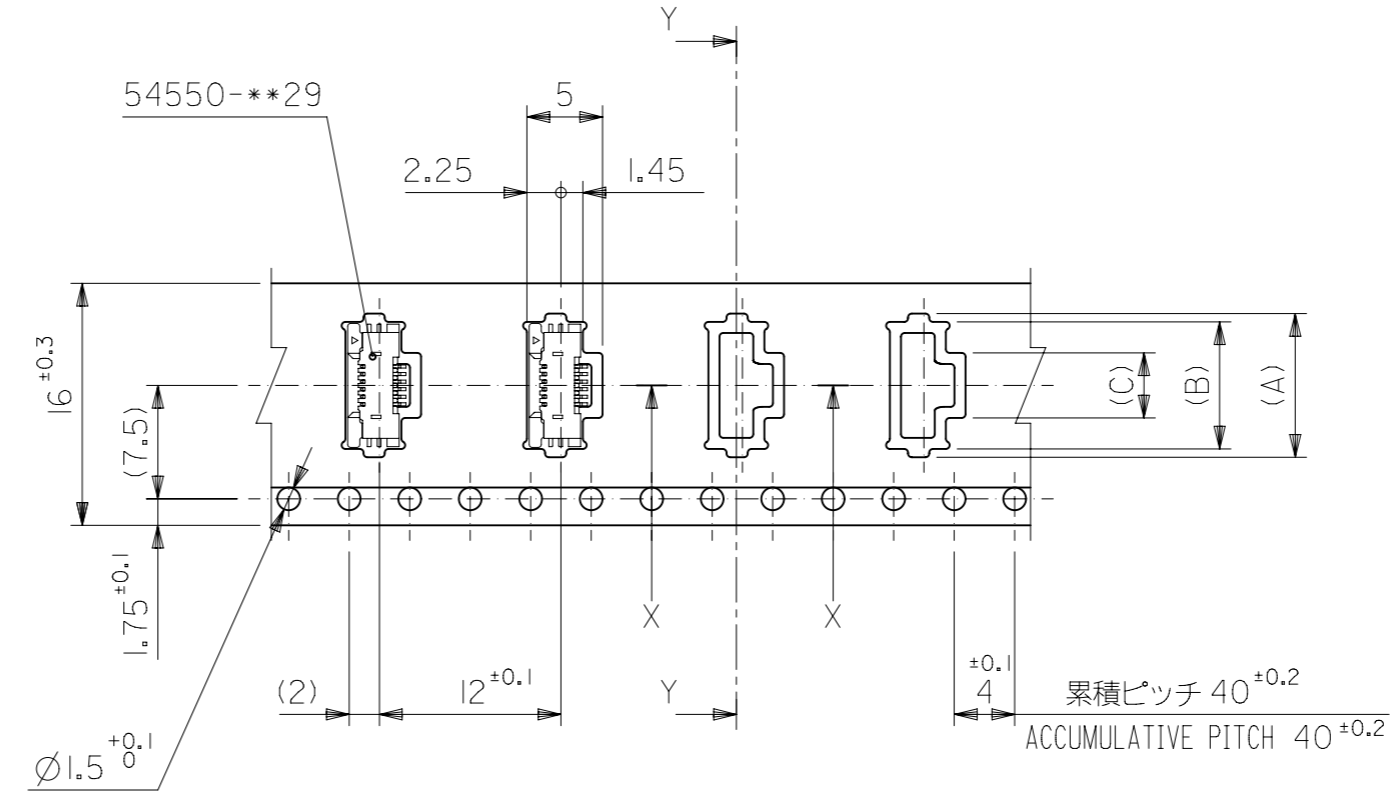
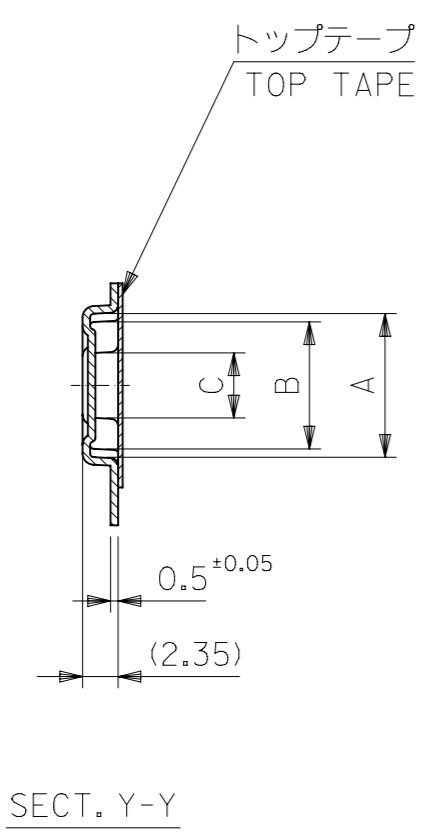


- 4. 材料 (MATERIAL)  
 キャリアテープ (CARRIER TAPE) : ポリプロピレン (POLYPROPYLENE)  
 トップテープ (TOPTAPE) : PET, PE, PEF  
 リール (REEL) : ポリスチレン (PS) <リサイクル材を含む>  
 POLYSTYRENE (PS) <RECYCLE MATERIAL CONTAINED>
- 5. 本製品は 54550-\*\*9I の鉛フリー品である。  
THIS PRODUCT IS LEAD FREE OF 54550-\*\*9I.
- 6. ELV 及び RoHS 適合品 / ELV AND RoHS COMPLIANT.

THIS DRAWING CONTAINS INFORMATION THAT IS PROPRIETARY TO MOLEX ELECTRONIC TECHNOLOGIES, LLC AND SHOULD NOT BE USED WITHOUT WRITTEN PERMISSION		CURRENT REV DESC: OBSOLETE PART NUMBER		<b>molex</b>	
DIMENSION UNITS: mm		SCALE: NTS			
GENERAL TOLERANCES (UNLESS SPECIFIED)		EC NO: 636343		PRODUCT CUSTOMER DRAWING	
4 PLACES ±		DRWN: AKUMAR19		DOCUMENT NUMBER: SD-54550-043	
3 PLACES ±		2020/04/22		DOC TYPE: PSD	
2 PLACES ±		CHK'D: GGA		DOC PART: 001	
1 PLACE ±		APPR: GGA		REVISION: M	
0 PLACES ±		INITIAL REVISION:		SHEET NUMBER: 1 OF 3	
ANGULAR TOL ± 3.0°		DRWN: MNINOMIYA		MATERIAL NUMBER: SEE TABLE	
DRAFT WHERE APPLICABLE MUST REMAIN WITHIN DIMENSIONS		APPR: MSASAO		CUSTOMER: GENERAL MARKET	
THIRD ANGLE PROJECTION		DRAWING: A3-SIZE		SERIES: 54550	

GENERAL TOLERANCES (UNLESS SPECIFIED)		±
10 <sup>UNDER</sup>	±0.2	
10 <sup>OVER</sup> 30 <sup>UNDER</sup>	±0.25	
30 <sup>OVER</sup>	±0.3	

引き出し方向  
PULL OUT DIRECTION



16mm幅キャリアテープ  
16mm WIDTH CARRIER TAPE

16	21.4	17.4	4.3	8.4	9.5	54550-0671	6
			3.8	7.9	9	54550-0571	5
			3.3	7.4	8.5	54550-0471	4
キャリアテープ幅 CARRIER TAPE WIDTH	E	D	(C)	(B)	(A)	製品番号 MATERIAL No.	極数 CK+

THIS DRAWING CONTAINS INFORMATION THAT IS PROPRIETARY TO MOLEX ELECTRONIC TECHNOLOGIES, LLC AND SHOULD NOT BE USED WITHOUT WRITTEN PERMISSION

CURRENT REV DESC: OBSOLETE PART NUMBER

DIMENSION UNITS		SCALE	
mm	NTS		
GENERAL TOLERANCES (UNLESS SPECIFIED)			
		MM	INCH
4 PLACES	±		
3 PLACES	±		
2 PLACES	±		
1 PLACE	±		
0 PLACES	±		
GENERAL TOLERANCES (UNLESS SPECIFIED)		ANGULAR TOL ± 3.0°	
10 <sup>UNDER</sup>	±0.2		
10 <sup>OVER</sup> 30 <sup>UNDER</sup>	±0.25		
30 <sup>OVER</sup>	±0.3		

EC NO: 636343  
DRWN: AKUMAR19 2020/04/22  
CHK'D: GGA 2020/07/10  
APPR: GGA 2020/07/10

INITIAL REVISION:  
DRWN: MNINOMIYA 2004/02/12  
APPR: MSASAO 2004/02/12

THIRD ANGLE PROJECTION

DRAFT WHERE APPLICABLE MUST REMAIN WITHIN DIMENSIONS

DRAWING A3-SIZE

SERIES 54550

MATERIAL NUMBER SEE TABLE

CUSTOMER GENERAL MARKET

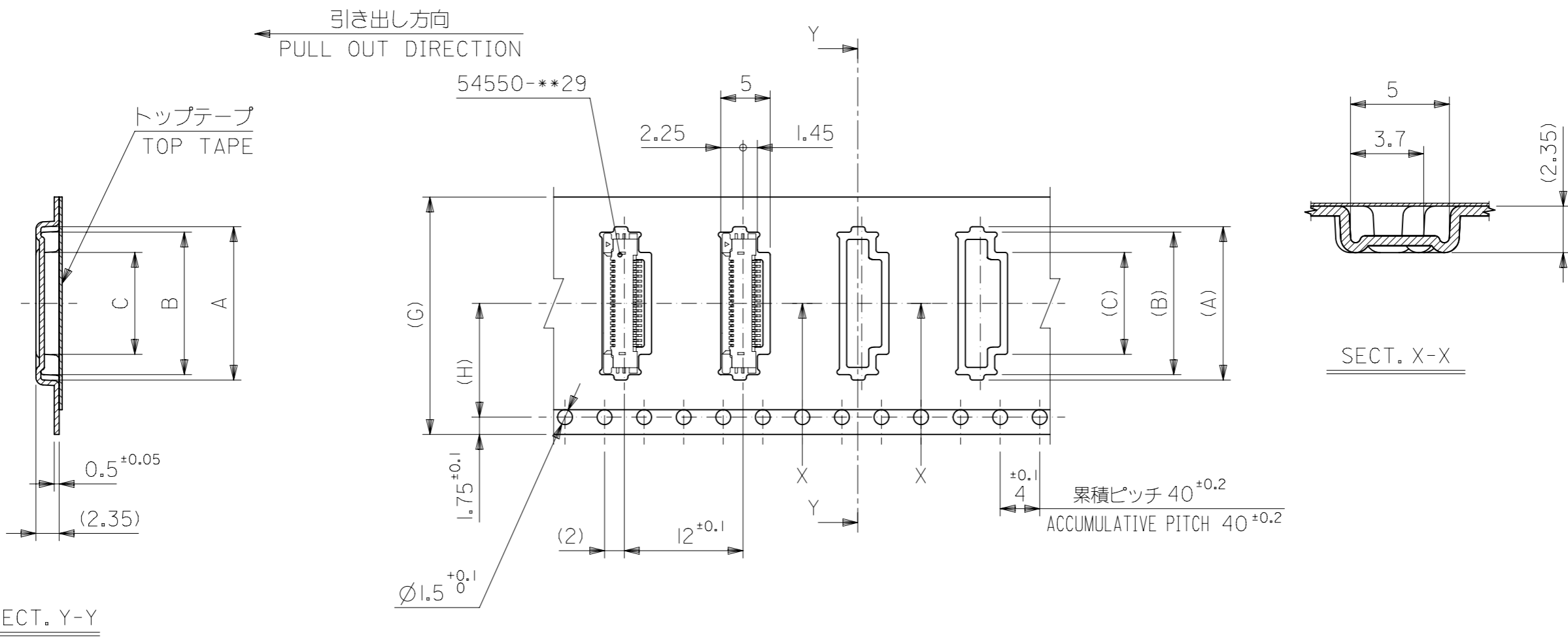
DOCUMENT NUMBER SD-54550-043

DOC TYPE PSD

DOC PART 001

REVISION M

SHEET NUMBER 2 OF 3



24, 32mm幅キャリアテープ  
24mm, 32mm WIDTH CARRIER TAPE

32 <sup>+0.3</sup>	14.2	37.4	33.4	14.3	18.4	19.5	54550-2671	26
				13.3	17.4	18.5	54550-2471	24
24 <sup>+0.3</sup>	11.5	29.4	25.4	11.8	15.9	17	54550-2171	21
				11.3	15.4	16.5	54550-2071	20
				10.3	14.4	15.5	54550-1871	18
				9.3	13.4	14.5	54550-1671	16
				8.3	12.4	13.5	54550-1471	14
				7.3	11.4	12.5	54550-1271	12
				6.3	10.4	11.5	54550-1071	10
5.8	9.9	11	54550-0971	9				
5.3	9.4	10.5	54550-0871	8				
4.8	8.9	10	54550-0771	7				
G キャリアテープ幅 CARRIER TAPE WIDTH	H	E	D	(C)	(B)	(A)	製品番号 MATERIAL No.	極数 Ck+

THIS DRAWING CONTAINS INFORMATION THAT IS PROPRIETARY TO MOLEX ELECTRONIC TECHNOLOGIES, LLC AND SHOULD NOT BE USED WITHOUT WRITTEN PERMISSION

SCALE: mm NTS

GENERAL TOLERANCES (UNLESS SPECIFIED)

PLACES	TOLERANCE
4 PLACES	±
3 PLACES	±
2 PLACES	±
1 PLACE	±
0 PLACES	±

ANGULAR TOL ± 3.0°

DRAFT WHERE APPLICABLE MUST REMAIN WITHIN DIMENSIONS

THIRD ANGLE PROJECTION

DRAWING: A3-SIZE

SERIES: 54550

MATERIAL NUMBER: SEE TABLE

CUSTOMER: GENERAL MARKET

SHEET NUMBER: 3 OF 3

EC NO: 636343  
DRWN: AKUMAR19  
CHK'D: GGA  
APPR: GGA

INITIAL REVISION:  
DRWN: MNINOMIYA  
APPR: MSASAO

2020/04/22  
2020/07/10  
2020/07/10

2004/02/12  
2004/02/12

DOCUMENT NUMBER: SD-54550-043

DOC TYPE: PSD

DOC PART: 001

REVISION: M

PRODUCT CUSTOMER DRAWING

EMBSTP PKG FOR 0.5 FPC CONN ZIF UPR CONT