

50836-1 ✓ ACTIVE



## STRATO-THERM

TE Internal #: 50836-1

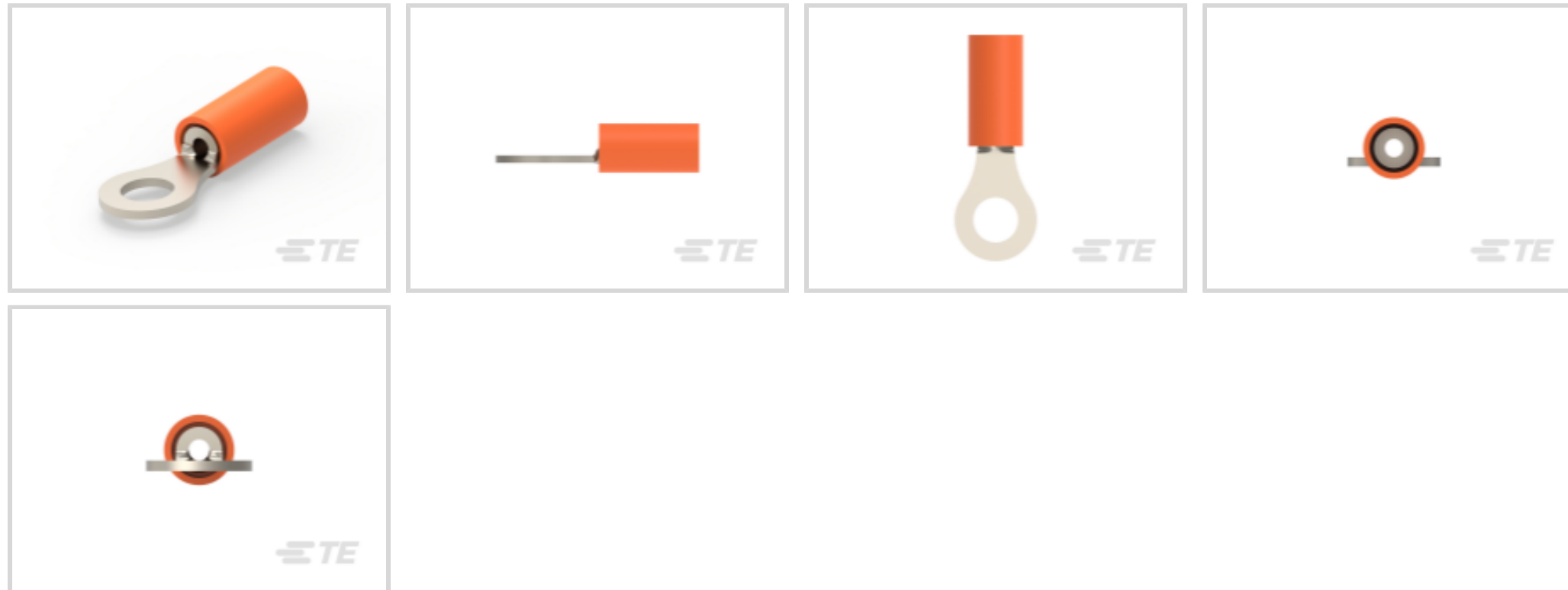
Ring Terminals & Spade Terminals, Ring Tongue, 18 – 16 AWG

Wire Size, .8 – 1.4 mm<sup>2</sup> Wire Size, 1600 – 2800 CMA Wire Size, Stud

Size #10, STRATO-THERM

[View on TE.com >](#)

Terminals & Splices > Ring Terminals & Spade Terminals



Ring & Spade Terminal Type: **Ring Tongue**

Wire Size: **1600 – 2800 CMA**

Stud Size: **#10**

### Features

#### Product Type Features

Shape Description	RING-052
Stud Size	#10
Sealable	No
Wire Insulation Support Retention Type	Insulation Support

#### Configuration Features

Number of Holes	1
Terminal Angle	180 °

#### Electrical Characteristics

Voltage (Max)	300 V
---------------	-------

#### Body Features

Weight per Piece	1 g
------------------	-----

#### Contact Features

Ring & Spade Terminal Type	Ring Tongue
Barrel Type	Closed
Terminal Orientation	Offset



Terminal Plating Material	Nickel
---------------------------	--------

### Mechanical Attachment

Wire Insulation Support	With
-------------------------	------

### Dimensions

Wire Size	1600 – 2800 CMA
Stud Diameter	5 mm[.197 in]
Tongue Thickness	.79 mm[.031 in]
Overall Product Length	21.72 mm[.855 in]
Accepts Wire Insulation Diameter (Max)	3.43 mm[.135 in]
Accepts Wire Insulation Diameter Range	1.4 – 3.43 mm[.055 – .135 in]

### Usage Conditions

Insulation Option	Partially Insulated
Operating Temperature Range	288 °C[550 °F]

### Operation/Application

Heavy Duty	No
------------	----

### Industry Standards

Government Qualified	No
----------------------	----

### Packaging Features

Packaging Quantity	5000
Packaging Method	Loose Piece

### Product Compliance

[For compliance documentation, visit the product page on TE.com>](#)

EU RoHS Directive 2011/65/EU	Compliant
EU ELV Directive 2000/53/EC	Compliant
China RoHS 2 Directive MIIT Order No 32, 2016	No Restricted Materials Above Threshold
EU REACH Regulation (EC) No. 1907/2006	Current ECHA Candidate List: JUNE 2022 (224) Candidate List Declared Against: JAN 2022 (223) SVHC > Threshold: Not Yet Reviewed
Halogen Content	Low Bromine/Chlorine - Br and Cl < 900 ppm per homogenous material. Also BFR /CFR/PVC Free

Solder Process Capability

Not applicable for solder process capability

Product Compliance Disclaimer

This information is provided based on reasonable inquiry of our suppliers and represents our current actual knowledge based on the information they provided. This information is subject to change. The part numbers that TE has identified as EU RoHS compliant have a maximum concentration of 0.1% by weight in homogenous materials for lead, hexavalent chromium, mercury, PBB, PBDE, DBP, BBP, DEHP, DIBP, and 0.01% for cadmium, or qualify for an exemption to these limits as defined in the Annexes of Directive 2011/65/EU (RoHS2). Finished electrical and electronic equipment products will be CE marked as required by Directive 2011/65/EU. Components may not be CE marked. Additionally, the part numbers that TE has identified as EU ELV compliant have a maximum concentration of 0.1% by weight in homogenous materials for lead, hexavalent chromium, and mercury, and 0.01% for cadmium, or qualify for an exemption to these limits as defined in the Annexes of Directive 2000/53/EC (ELV). Regarding the REACH Regulation, the information TE provides on SVHC in articles for this part number is based on the latest European Chemicals Agency (ECHA) 'Guidance on requirements for substances in articles' posted at this URL: <https://echa.europa.eu/guidance-documents/guidance-on-reach>

### Compatible Parts




TE Part # 69693-1  
T-HEAD PIDG STRATO 18-14 ASSY



TE Part # 69733  
PIDG STRATO 18-16 DIE SET

### Also in the Series | STRATO-THERM




Ring Terminals & Spade Terminals(96)



Splices(16)

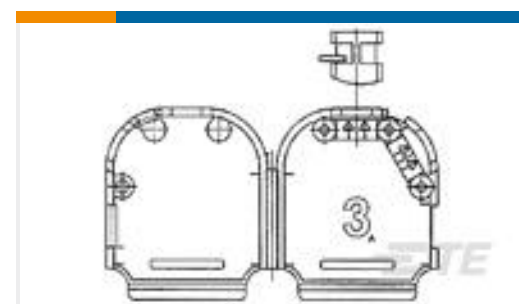
### Customers Also Bought



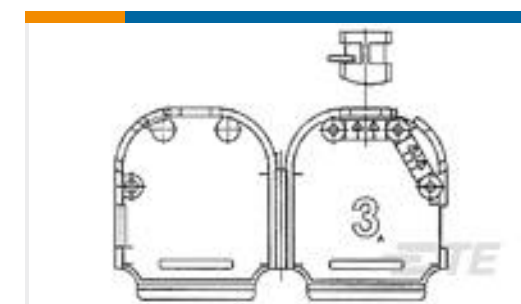
TE Part #768838-000  
CM-SCE-TP-1/4-4H-9



TE Part #50840-1  
TERMINAL,PIDG PTFE R 14 10



TE Part #5749626-2  
AMPLI CABLE CLAMP KIT,SZ 3



TE Part #5749914-2  
AMPLI CABLE CLAMP KIT,SZ 1



TE Part #2-320573-3  
TERMINAL,PIDG R IR 18 3/8



TE Part #50845-2  
TERMINAL,PIDG PTFE R 12-10 10



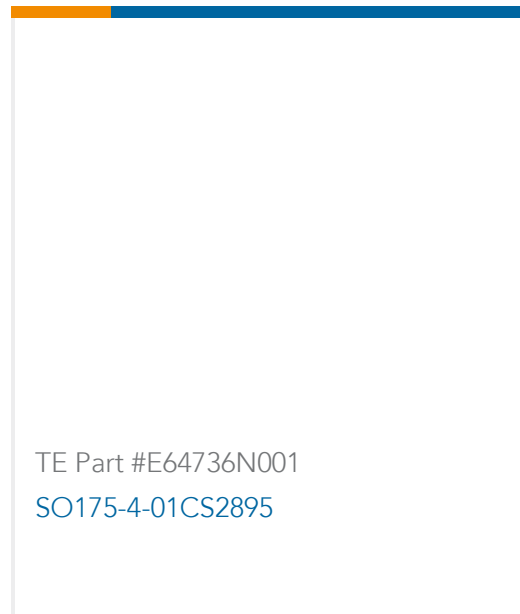
TE Part #E612933001  
RAY-103-20.0(50)CK0380



TE Part #650134N004  
D-436-90CS2897



TE Part #C07710N001  
SO175-3-01CS2895



TE Part #E64736N001  
SO175-4-01CS2895

## Documents

### Product Drawings

[TERMINAL,PIDG PTFE R 18-16 10](#)

English

### CAD Files

[3D PDF](#)

3D

**Customer View Model**

[ENG\\_CVM\\_CVM\\_50836-1\\_L\\_c-50836-1-l.2d\\_dxf.zip](#)

English

**Customer View Model**

[ENG\\_CVM\\_CVM\\_50836-1\\_L\\_c-50836-1-l.3d\\_igs.zip](#)

English

**Customer View Model**

[ENG\\_CVM\\_CVM\\_50836-1\\_L\\_c-50836-1-l.3d\\_stp.zip](#)

English

By downloading the CAD file I accept and agree to the [Terms and Conditions](#) of use.

### Product Specifications

[Application Specification](#)

English