

Board to Board Connectors

FH (Free Height) 0.8mm Pitch Connectors

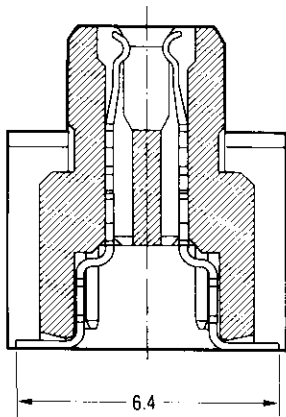
Board to Board SMT Typed

Receptacle Assemblies

Material and Finish :

Housing—UL94V-0 rated, heat-resistant thermoplastic, natural color

Contact—Beryllium copper, 0.2µm min. gold plated on contact area, 1.0µm min. tin-lead plated or tin plated on soldering area, with entire contact underplated 1.3µm min. nickel



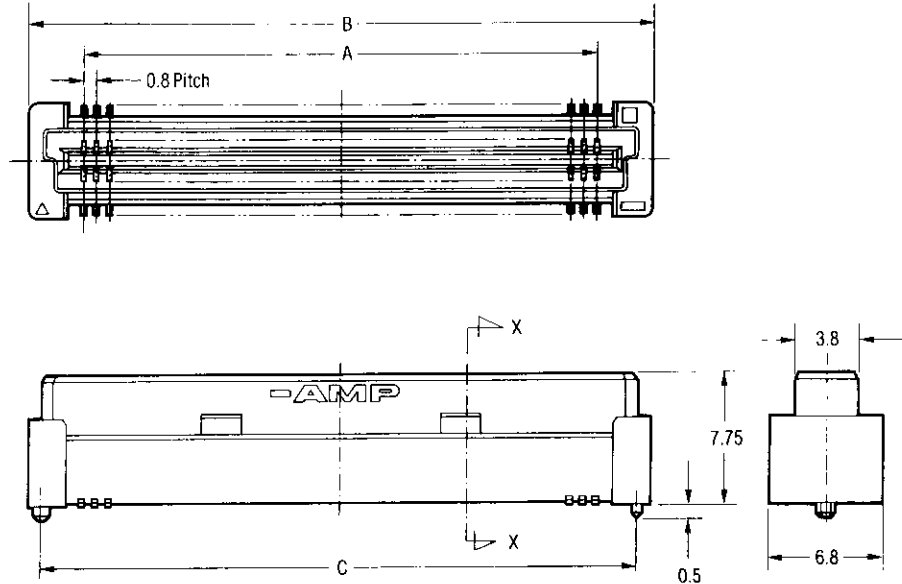
Section X-X

Mating Plug Distinction of Stacking Height

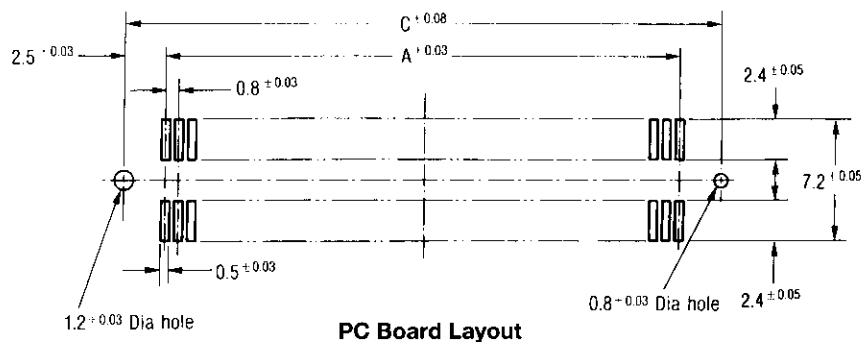
Stacking Height	Part No. of Mating Plug
9mm	□-177984-□
	179485-□*
	1-179485-0 *
10mm	□-179029-□
	2-179485-□*
	3-179485-0 *
11mm	□-179030-□
	4-179485-□*
	5-179485-0 *
12mm	□-179031-□
	6-179485-□*
	7-179485-0 *

* With solder peg.

Applicable Board Stacking Heights = 9mm/10mm/11mm/12mm



No. of Pos.	Dimensions			Part Number	
	A	B	C	Tube (ea.)	Emboss tape mounted (pcs.)
40	15.2	21.8	20.2	5-179009-1 (22)	5-179180-1 (500)
60	23.2	29.8	28.2	5-179009-2 (16)	5-179180-2 (500)
80	31.2	37.8	36.2	5-179009-3 (12)	5-179180-3 (500)
100	39.2	45.8	44.2	5-179009-4 (10)	5-179180-4 (400)
120	47.2	53.8	52.2	5-179009-5 (9)	5-179180-5 (400)
140	55.2	61.8	60.2	5-179009-6 (7)	5-179180-6 (400)
160	63.2	69.8	68.2	5-179009-8 (6)	—
180	71.2	77.8	76.2	5-179009-9 (6)	—
200	79.2	85.8	84.2	6-179009-0 (5)	—



PC Board Layout